

## Description

The Renesas OB1203SD and OB1203LC Sensor Modules integrate an optical biosensor with proximity sensor and ambient light sensing features that are desirable for handheld electronic devices.

The OB1203 photoplethysmography (PPG) biosensor integrates light sources and drivers, analog digital conversion and I2C communication in a single optical package. Data from the OB1203 biosensor can be used to determine heart rate (HR), oxygen saturation (SpO<sub>2</sub>), respiration rate (RR), and heart rate variability (HRV), a measure of stress.

The OB1203LC features photodiodes admitting light across the visible and near infrared range, while the OB1203SD features color filters with RGB color and Lux sensitivity similar to the human eye. The OB1203SD optical filters provide enhanced immunity to ambient light for proximity sensing (PS) and PPG measurements.

The OB1203's longer wavelength far red (690nm) LED is less sensitive to the differences between light and dark skin tones than traditional sensors operating at shorter wavelengths where melanin absorption is stronger. The far red LED also enables SpO<sub>2</sub> measurements behind visibly dark "IR ink" for aesthetic industrial designs.

## Biosensor Features

- SpO<sub>2</sub> measurement less sensitive to skin color
- Industry's smallest optical biosensor module
- Fully integrated and trimmed module, including two LEDs, 250mA maximum drive current, and photodetectors
- PPG output resolution: 16 to 18 bits
- Data stored in 18-bit wide, 32-sample FIFO memory
- Integrated averaging function for higher signal-to-noise ratio (SNR) and data rate reduction
- Programmable measurement rate: up to 3200 samples per second

## Light Sensor and Color Sensor\* (OB1203SD) Features

- Output resolution: 13 to 20 bits, 3 gain modes
- Very stable spectral response over angle of light incidence
- \*High lux accuracy over different light sources
- \*Absolute sensitivity: 0.06 lux to > 150000 lux
- \*Four parallel channels (red, green, blue, clear)
- \*Accurate Correlated Color Temperature (CCT)
- \*Accurate CIE 1931 XYZ (RGB) color measurement

## Proximity Sensor Features

- Integrated and trimmed LED source, driver, and photodetector
- Programmable pulsed LED up to 250mA output current
- High resolution (12 to 16 bits)
- Object movement detection (in/out) with interrupt pin
- Ambient light suppression > 100klx sun light
- Crosstalk cancelation (analog and digital)
- Short wavelength (blue, green) blocking filter for improved ambient rejection (OB1203SD)

## Physical Characteristics

- Industry's smallest package: 4.2 × 2 × 1.2 mm<sup>3</sup> 14-OSIP module
- Highly reliable and industry-proven OSIP package with integrated non-allergenic cover glass
- Wide operation temperature: - 40°C to +85°C
- Wide supply voltage: 1.7V to 3.6V
- Typical active current at minimum duty cycle:
  - LS/CS:110μA
  - PS: 90μA + LED current (typical ~300μA average)
- Low standby current: 2μA typical
- I2C interface supporting Standard Mode (100kHz) or Fast Mode (400kHz) communication; 1.8V to 3.3V logic compatible
- Programmable level-based interrupt functions with upper and lower thresholds for extending battery life

Figure 1. 3D Package Rendering



## Biosensor, LS, and PS Applications

- Mobile devices such as smartphones, smart accessories, touch screen disable, display brightness and color adjust, smartwatches, secondary sensor for blood pressure
- Fitness and wellness
- Occupancy
- Gesture detection
- Industrial applications such as proximity and light detection in less than 1ms, fast light barriers, lighting control, robotics, agriculture and hydroponic light sensing, daylighting

## Application Circuit

Figure 2. Typical Circuit – Only 6 Connections

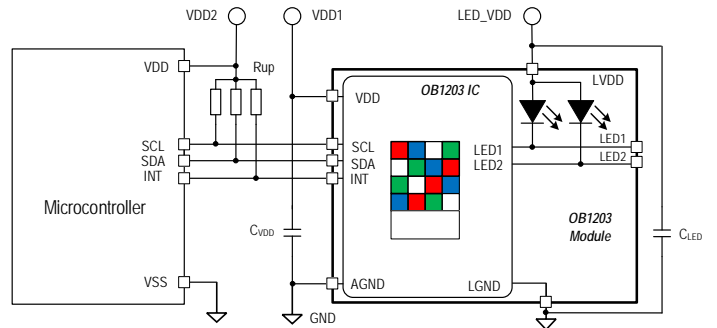
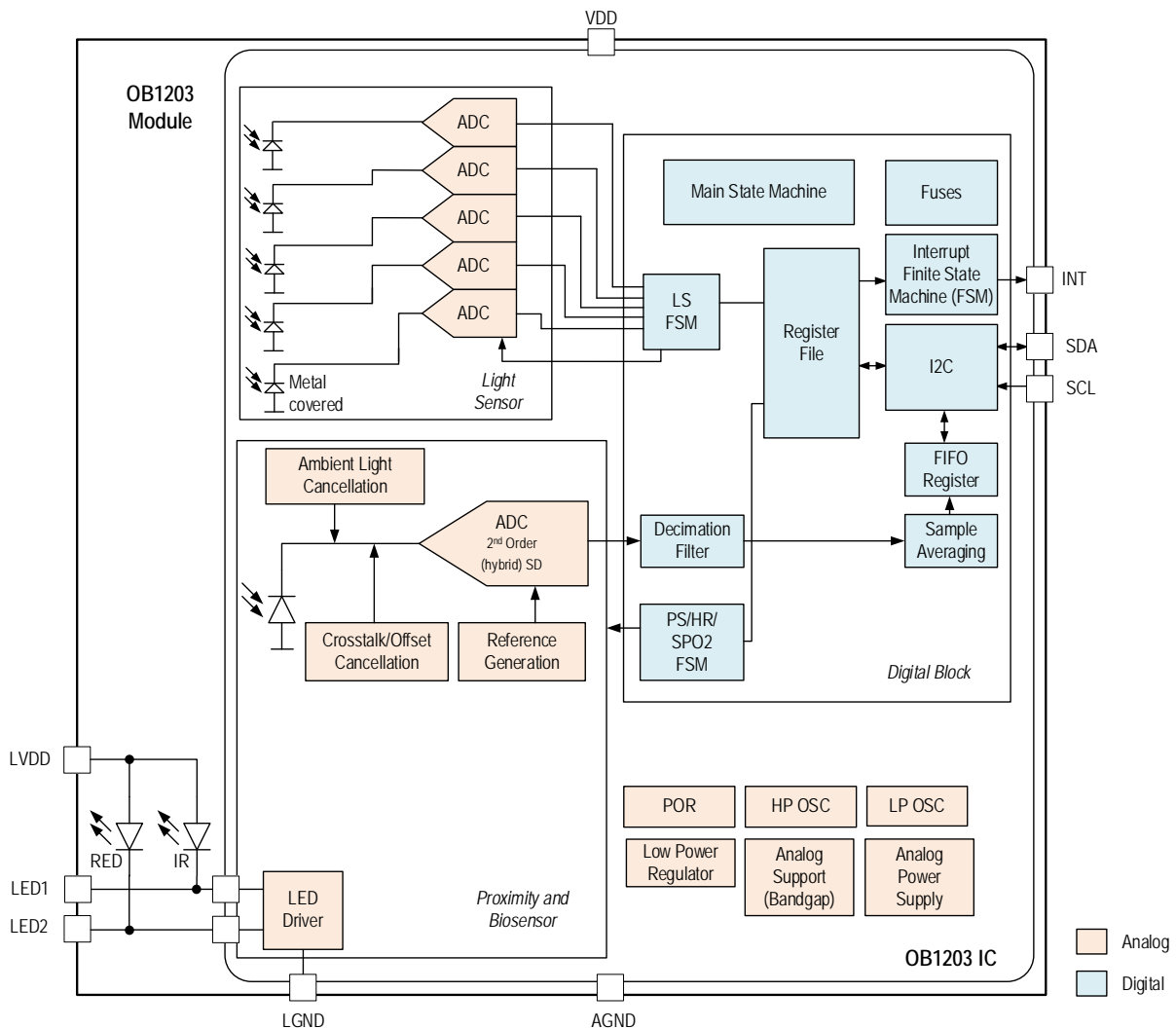


Figure 3. Block Diagram



# Contents

Contents .....	3
List of Figures .....	5
List of Tables .....	6
1. Pin Assignments .....	7
2. Pin Descriptions .....	7
3. Absolute Maximum Ratings .....	8
4. Recommended Operating Conditions .....	8
5. Electrical and Optical Characteristics .....	9
6. Typical Performance Characteristics .....	12
7. Detailed Description .....	16
7.1 Application Circuit .....	17
7.2 Modes of Operation .....	17
7.3 Main State Machine .....	17
7.4 Light Sensor Description .....	19
7.5 Proximity and PPG Sensor Description .....	20
7.5.1 LEDs and Integrated LED Driver .....	20
7.5.2 Principles of Proximity Sensor Operation .....	20
7.5.3 Principles of PPG Sensor Operation .....	21
7.6 Interrupt Features .....	23
7.6.1 LS Interrupt .....	23
7.6.2 PS Interrupt .....	23
7.6.3 PPG Interrupt .....	25
7.7 I2C Interface .....	25
7.7.1 I2C Address Decoding .....	25
7.7.2 I2C Register Read .....	25
7.7.3 I2C Register Write .....	26
7.7.4 I2C Interface Bus Timing .....	27
8. Registers .....	28
8.1 Register Map .....	28
8.2 Register Descriptions .....	30
8.2.1 STATUS_0 .....	30
8.2.2 STATUS_1 .....	31
8.2.3 PS_DATA .....	32
8.2.4 LS_CLEAR_DATA .....	33
8.2.5 LS_GREEN_DATA .....	34
8.2.6 LS_BLUE_DATA .....	35
8.2.7 LS_RED_DATA .....	36
8.2.8 COMP_DATA .....	37

8.2.9	MAIN_CTRL_0 .....	38
8.2.10	MAIN_CTRL_1 .....	39
8.2.11	PS_LED_CURR .....	40
8.2.12	PS_CAN_PULSES .....	41
8.2.13	PS_PWIDTH_PERIOD .....	42
8.2.14	PS_CAN_DIG .....	43
8.2.15	PS_MOV_AVG_HYS .....	44
8.2.16	PS_THRES_UP .....	45
8.2.17	PS_THRES_LOW .....	45
8.2.18	LS_RES_PERIOD .....	46
8.2.19	LS_GAIN .....	47
8.2.20	LS_THRES_UP .....	48
8.2.21	LS_THRES_LOW .....	49
8.2.22	LS_THRES_VAR .....	50
8.2.23	INT_CFG_0 .....	51
8.2.24	INT_CFG_1 .....	52
8.2.25	INT_PST .....	53
8.2.26	PPG_PS_GAIN .....	53
8.2.27	PPG_PS_CFG .....	54
8.2.28	PPG_IRLED_CURR .....	55
8.2.29	PPG_RLED_CURR .....	56
8.2.30	PPG_CAN_ANA .....	57
8.2.31	PPG_AVG .....	58
8.2.32	PPG_PWIDTH_PERIOD .....	59
8.2.33	FIFO_CFG .....	62
8.2.34	FIFO_WR_PTR .....	63
8.2.35	FIFO_RD_PTR .....	64
8.2.36	FIFO_OVF_CNT .....	64
8.2.37	FIFO_DATA .....	65
8.2.38	PART_ID .....	66
8.2.39	DIG_GAIN_TRIM_LED1 / LED2 .....	66
9.	Package Outline Drawings .....	67
10.	Reflow Profile .....	67
11.	Marking Diagram: Bottom of Part Only .....	68
12.	Ordering Information .....	68
13.	Glossary .....	68
14.	Revision History .....	69

## List of Figures

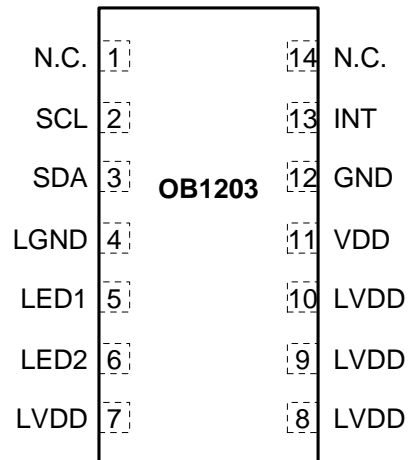
Figure 1. 3D Package Rendering .....	1
Figure 2. Typical Circuit – Only 6 Connections.....	2
Figure 3. Block Diagram .....	2
Figure 4. Pin Assignments for 2 × 4.2 × 1.2 mm 14-OSIP Package – Top View .....	7
Figure 5. Package Rotation Axes for Field of View.....	12
Figure 6. Typical FOV of R, G, B and Clear Photodiode along Width of Package (OB1203SD) .....	12
Figure 7. Typical FOV of PPG and Proximity Photodiode along Width of Package .....	12
Figure 8. Typical FOV of R, G, B and Clear Photodiode along Length of Package.....	13
Figure 9. Typical FOV of PPG and Proximity Photodiode along Length of Package.....	13
Figure 10. Typical Radiation Characteristic of the LEDs along Width of Package .....	13
Figure 11. Typical Radiation Characteristic of the LEDs along Length of Package.....	13
Figure 12. Typical Normalized Spectral Response of R, G, B and Clear Sensors (OB1203SD).....	13
Figure 13. Typical Linearity of R, G, B and Clear Sensors .....	13
Figure 14. Typical PS Count over Distance.....	14
Figure 15. Log of Typical PS Count.....	14
Figure 16. Typical Normalized Standby Current over Temperature .....	14
Figure 17. Typical Normalized LED Light Output Linearity with LED Current Register Settings .....	14
Figure 18. Typical LED Driver Current vs. Current Register Setting.....	14
Figure 19. Typical Normalized Spectral Response of PPG and PS sensor (OB1203SD) .....	14
Figure 20. Simplified Block Diagram.....	16
Figure 21. Typical Application Circuit .....	17
Figure 22. Simplified Main State Machine .....	18
Figure 23. PS Timing Characteristic .....	21
Figure 24. PPG Timing Characteristic (without Averaging) .....	22
Figure 25. PS Interrupt Behavior Examples .....	24
Figure 26. I2C Register Read .....	26
Figure 27. I2C Register Write .....	26
Figure 28. Bus Timing.....	27

## List of Tables

Table 1.	Pin Descriptions.....	7
Table 2.	Absolute Maximum Ratings.....	8
Table 3.	Recommended Operating Conditions .....	8
Table 4.	Electrical and Optical Characteristics .....	9
Table 5.	Channel Activation during Operation Modes .....	17
Table 6.	LS Channel Activation in LS and CS Mode .....	19
Table 7.	LS Detection Ranges and Sensitivity Calculation Example (OB1203SD variant) .....	20
Table 8.	PS Parameter .....	21
Table 9.	PPG Parameters .....	22
Table 10.	Supported I2C clock Frequencies .....	25
Table 11.	Bus Timing Characteristic.....	27
Table 12.	Register Map: Summary of Internal Registers.....	28
Table 13.	PS Measurement Output Resolution .....	42
Table 14.	PPG Measurement Output Resolution .....	60
Table 15.	PPG1 Mode Parameter .....	60
Table 16.	PPG2 Mode Parameter .....	61
Table 17.	Recommended Reflow Profile .....	67

## 1. Pin Assignments

Figure 4. Pin Assignments for 2 × 4.2 × 1.2 mm 14-OSIP Package – Top View



## 2. Pin Descriptions

Table 1. Pin Descriptions

Pin Number	Name	I/O Type	Description
1, 14	N.C.	–	Not connected internally. Can be connected to ground or used for digital or supply trace routing.
2	SCL	IN	I2C serial clock line. Open drain. Use a ~50% smaller pullup resistor for SCL than for SDA to allow SCL to come up faster than SDA for most reliable OB1203 I2C communication.
3	SDA	IN/OUT	I2C serial data line. Open drain.
4	LGND	GROUND	LED/digital power ground (required).
5	LED1	–	IR LED driver test pin (LED cathode / driver output). Connected internally to module infrared LED cathode.
6	LED2	–	Red LED driver test pin (LED cathode / driver output). Connected internally to module red LED cathode.
7, 8, 9, 10	LVDD	SUPPLY	LED power supply input for powering internal LEDs. Float if using external LEDs. LED thermal load.
11	VDD	SUPPLY	Digital/analog power supply input. Avoid powering I2C pullups or interrupt prior to VDD (pullups can be connected to VDD). See note in Absolute Maximum Ratings regarding LVDD limit while VDD is unpowered.
12	GND	GROUND	Analog ground.
13	INT	OUT	Interrupt pin. Open drain.

### 3. Absolute Maximum Ratings

The absolute maximum ratings are stress ratings only. The device might not function or be operable above the recommended operating conditions given in this section. Stresses exceeding the absolute maximum ratings might damage the device. In addition, extended exposure to stresses above the recommended operating conditions might affect device reliability. Renesas does not recommend designing to the "Absolute Maximum Ratings."

Global measurement conditions  $V_{DD} = 2.8V$ ,  $T_{AMB} = 25^{\circ}C$  unless otherwise noted.

Table 2. Absolute Maximum Ratings

Symbol	Parameter	Conditions	Minimum	Maximum	Units
$V_{DD-GND}$	Maximum input supply voltage (VDD pin)			3.6	V
$V_{I2C}$	Maximum voltage on SCL, SDA and INT pins		-0.5	3.6	V
$V_{LED}$	Maximum voltage on LVDD pins	$V_{DD} > 1.7V$ (operation range)	-0.5	5.0	V
		$V_{DD} < 1.7V$ (below operation range)	-0.5	3.6V	V
$T_{AMB\_MAX}$	Maximum operating temperature range		-40	85	$^{\circ}C$
$T_{STOR}$	Storage temperature		-45	90	$^{\circ}C$
$I_{IN}$	Maximum input current into any pin except supply / LED pins (latch-up)		-100	100	mA
$V_{HBM}$	Electrostatic discharge protection [a]	Human Body Model, JESD22-A114	2000		V
$V_{CDM}$	Charge Device Model		1000		V

[a] HBM: C = 100pF charged to  $V_{HBM}$  with resistor R = 1.5k $\Omega$  in series; valid for all pins.

### 4. Recommended Operating Conditions

Global measurement conditions  $V_{DD} = 2.8V$ ,  $T_{AMB} = 25^{\circ}C$  unless otherwise noted.

Table 3. Recommended Operating Conditions

Symbol	Parameter	Minimum	Typical	Maximum	Units
$V_{DD}$	Voltage supply on VDD pin	1.7		3.6	V
$T_{AMB}$	Ambient operating temperature range	-40		85	$^{\circ}C$
$V_{LED}$	LED power supply (VDD supplied in operating range)	3.3		4.5 [a]	V

[a] If  $V_{DD} = 0V$ , then maximum  $V_{LED} = 3.6V$ .



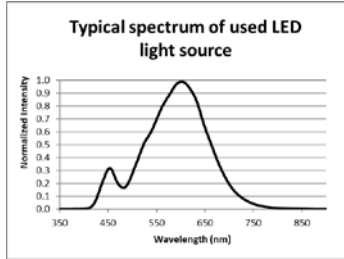
## 5. Electrical and Optical Characteristics

Global measurement conditions  $V_{DD} = 2.8V$ ,  $T_{AMB} = 25^{\circ}C$  unless otherwise noted.

Table 4. Electrical and Optical Characteristics

Note: See important table notes at the end of the table.

Symbol	Parameter	Conditions	Minimum	Typical	Maximum	Units
<b>Power On Reset</b>						
POR <sub>LH</sub>	DC power-on reset level	Slow variation of VDD (< 1ms), T <sub>A</sub> = 25°C		1.2		V
POR <sub>HL</sub>						
<b>Current Consumption</b>						
I <sub>LS</sub>	LS/CS (clear and color sensor) active mode current <sup>[a]</sup>	Default setting; 100% duty cycle; VDD = 2.8V; Gain Mode 3		110		μA
I <sub>PS_pk</sub>	PS (proximity sensor) active mode peak current <sup>[b]</sup>	Default setting; 100ms period; VDD = 2.8V		750		μA
I <sub>PS_avg</sub>	PS (proximity sensor) active mode average current <sup>[b]</sup>	Default setting; 100ms period; VDD = 2.8V		80		μA
I <sub>PPG1_VDD</sub>	PPG1 active mode VDD average current	Default measurement period and pulse width		730		μA
I <sub>PPG2_VDD</sub>	PPG2 active mode VDD average current	Minimum PPG pulse width and period setting (maximum rate)		780		μA
I <sub>PPG1_LED</sub>	PPG1 active mode LED average current	125mA LED current setting, default PPG pulse width and period settings		30		mA
		125mA LED current setting, minimum PPG pulse width and period settings (maximum rate)		50		mA
I <sub>PPG2_LED</sub>	PPG2 active mode LED average current	125mA LED current setting, default PPG pulse width and period settings		48		mA
		125mA LED current setting, minimum PPG pulse width and period settings (maximum rate)		43		mA
I <sub>SBY</sub>	Standby VDD current <sup>[c]</sup>	The OB1203 is in Standby Mode; no active I2C communication		< 2	5	μA
<b>I2C Interface</b>						
V <sub>I2Chigh</sub>	I2C signal input high		1.26		VDD	V
V <sub>I2Clow</sub>	I2C signal input low		0		0.54	V

Symbol	Parameter	Conditions	Minimum	Typical	Maximum	Units
<b>LS Light Sensor Characteristics</b>						
	Spectral response		See Figure 12.			
RES <sub>LS</sub>	LS output resolution	Programmable to 13, 16, 17, 18, 19, 20 bit	13	18	20	bit
	Dark level count	0 lx, 18-bit range		0		count
t <sub>LS</sub>	Measurement repetition period <sup>[d]</sup>	Programmable in 8 steps	25		2000	ms
t <sub>INT</sub>	Measurement integration time <sup>[d]</sup>	Programmable in 6 steps	50		400	ms
G <sub>1</sub>	Sensitivity at gain 1 <sup>[f]</sup>	Example for 3050 K, 5 klx LED light, 18-bit sensor resolution. Specification changes with the resolution setting as shown in Table 7. 		C: 9160 R: 3160 G: 4280 B: 1470		counts
G <sub>3</sub>	Sensitivity at gain 3 <sup>[f]</sup>			C: 27480 R: 9480 G: 12840 B: 4410		counts
G <sub>6</sub>	Sensitivity at gain 6 <sup>[f]</sup>			C: 54960 R: 18960 G: 25680 B: 8820		counts
<b>PS Proximity Sensor Characteristics</b>						
RES <sub>PS_bit</sub>	Measurement resolution	Depends on pulse width and number of LED pulses; see sections 8.2.12 and 8.2.13	10	15	16	bit
RES <sub>PS_irr</sub>	Signal strength IR	125mA LED current; 8 pulse average; gain mode 1; 4.6cm round white reflective target <sup>[e]</sup> in 4.6cm distance	2830	3300	4030	counts
RES <sub>PS_red</sub>	Signal strength Red		2300	2660	3200	counts
ALC <sub>max</sub>	Ambient light cancellation			>100000		lx
N <sub>PULSE</sub>	Number of LED pulses		1	8	32	
t <sub>PS</sub>	Measurement period	Programmable in 8 steps		3.125 to 400		ms
t <sub>PS_pw</sub>	Pulse width	Three possible settings; configurable via register setting; see section 8.2.13		26		μs
				42		μs
				71		μs
	Analog crosstalk cancellation	Programmable 0 or 50% FS		50%		Full scale
	Digital crosstalk cancellation	Programmable: 0 to full signal level. For 16-bit resolution.	0		65535	count

Symbol	Parameter	Conditions	Minimum	Typical	Maximum	Units
<b>PPG Characteristics</b>						
RES <sub>PPG</sub>	Measurement resolution		16	18	18	bit
A <sub>PPG</sub>	Digital averaging factor		1		32	
t <sub>PPG</sub>	Measurement period	Programmable in 8 steps		0.3125 to 20		ms
t <sub>PPG_pw</sub>	Pulse width	Configurable via register setting; see section 8.2.32		130		μs
				247		
				481		
				949		
	IR counts	18% grey card reflector (6mm from top of package); sample under clear cover glass; 125mA LED current; 130μs LED on time; average over 100 samples per second.		28000		count
	Red counts			28000		count
	Analog crosstalk cancellation	Programmable 0 or 50% FS		50%		Full scale
	Sample rate accuracy vs. nominal		-2		2	%
<b>Measurement Timing</b>						
t <sub>WAKE-STB</sub>	Wake-up time from Standby Mode	From Standby to Active Mode (measurement can start)		1.5		ms
t <sub>Start</sub>	Start time from VDD apply to Standby Mode			10		ms
<b>IR LED (LED1 Pin) Characteristics</b>						
λ <sub>Peak</sub>	Peak wavelength	I <sub>LED</sub> = 100mA, T <sub>A</sub> = 25°C		940		nm
I <sub>IR_LED (Max)</sub>	IR LED current	Programmable in 1024 steps		250		mA
<b>Red LED (LED2 Pin) Characteristics</b>						
λ <sub>Peak</sub>	Peak wavelength	I <sub>LED</sub> = 20mA, T <sub>A</sub> = 25°C		700		nm
I <sub>RED_LED (Max)</sub>	Red LED current	Programmable in 512 steps		125		mA

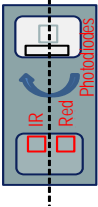
- [a] For the LS, the maximum duty cycle is selected with 100ms measurement time (default) and 100ms period at an illumination of 1000 lux.
- [b] For the PS, 100ms measurement period, 42μs pulse width, 8 pulses, 15-bit resolution, and Gain Mode 1 are selected.
- [c] For typical temperature dependence, see Figure 16.
- [d] Typical timing accuracy applied.
- [e] 90 % reflective Kodak R-27.
- [f] Color filters and ambient light sensor calibration provided for OB1203SD variant only. For OB1203LC, the spectral response for the respective color channels is identical.

## 6. Typical Performance Characteristics

Global measurement conditions  $V_{DD} = 2.8V$ ,  $T_{AMB} = 25^{\circ}C$ , and default power-up settings, unless otherwise noted.

Figure 5. Package Rotation Axes for Field of View

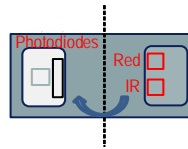
Package Width



Applies to Figures

- Figure 6
- Figure 7
- Figure 10

Package Length



Applies to Figures

- Figure 8
- Figure 9
- Figure 11

Note: For Figure 6 to Figure 11, positive angle values apply to rotations where the respective right side of the package as shown in Figure 5 rotates upwards.

Figure 6. Typical FOV of R, G, B and Clear Photodiode along Width of Package (OB1203SD)

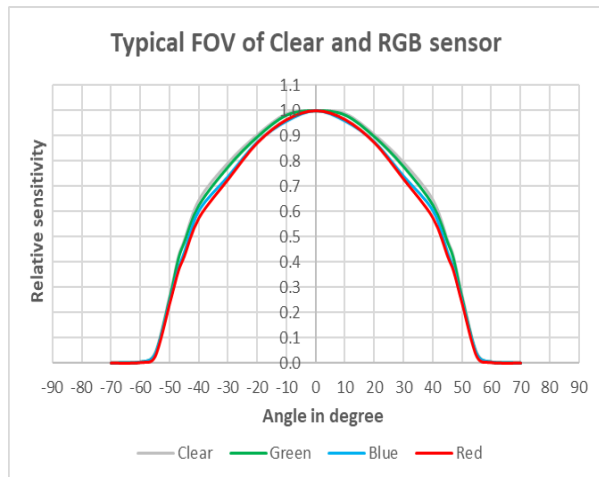


Figure 7. Typical FOV of PPG and Proximity Photodiode along Width of Package

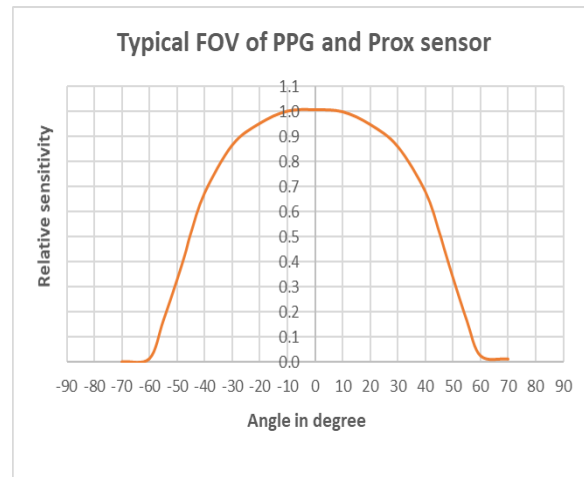


Figure 8. Typical FOV of R, G, B and Clear Photodiode along Length of Package

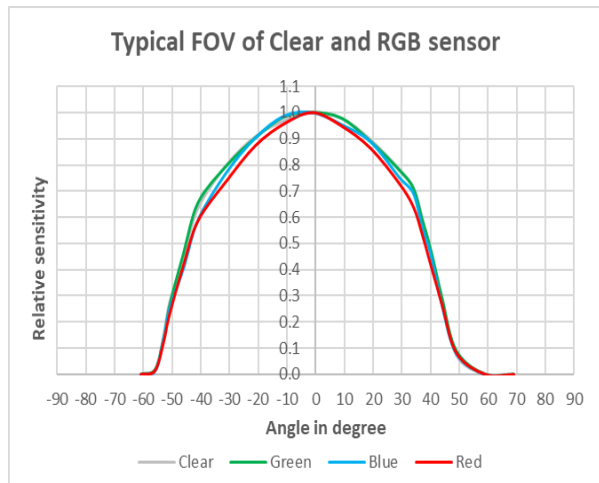


Figure 9. Typical FOV of PPG and Proximity Photodiode along Length of Package

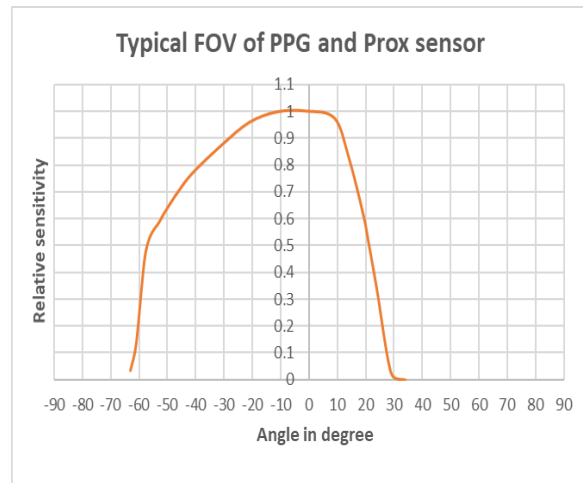


Figure 10. Typical Radiation Characteristic of the LEDs along Width of Package

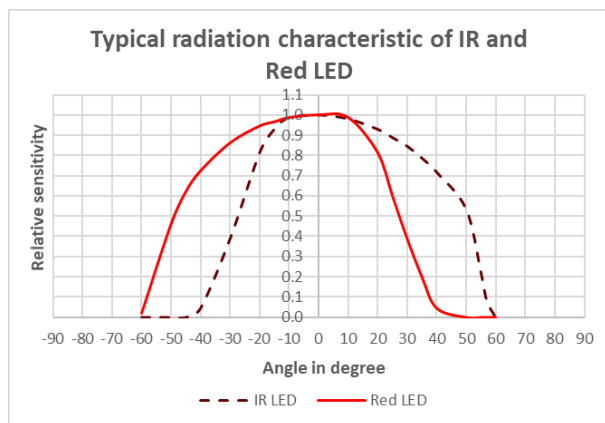


Figure 11. Typical Radiation Characteristic of the LEDs along Length of Package

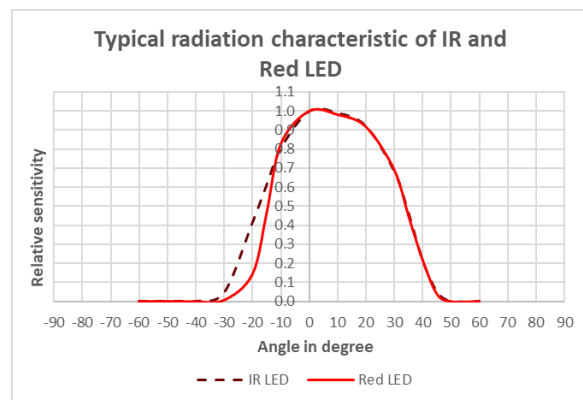


Figure 12. Typical Normalized Spectral Response of R, G, B and Clear Sensors (OB1203SD)

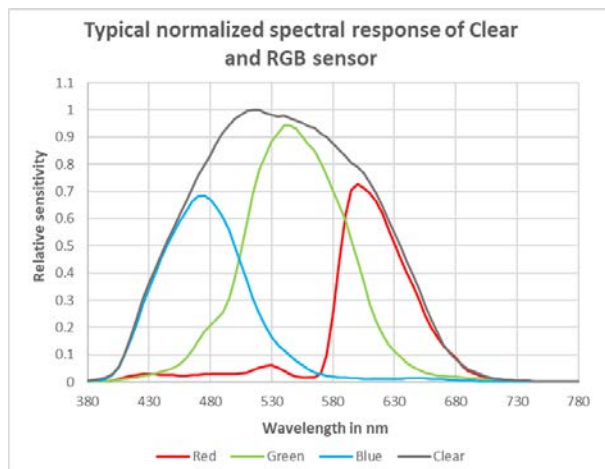


Figure 13. Typical Linearity of R, G, B and Clear Sensors

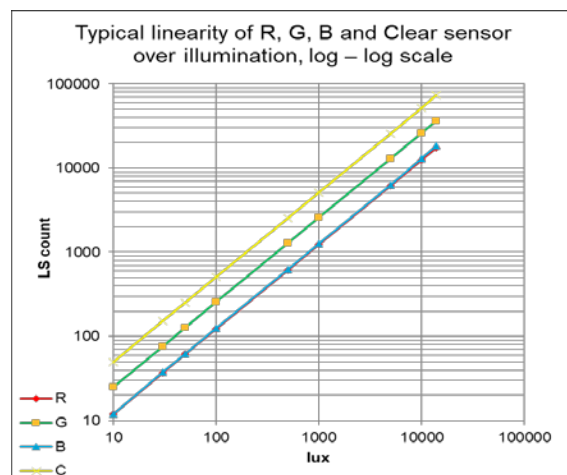


Figure 14. Typical PS Count over Distance

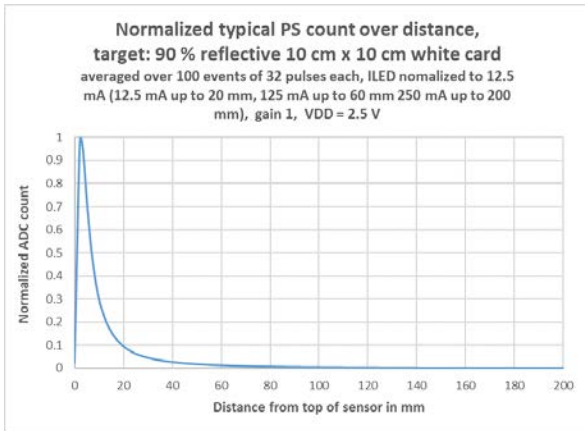


Figure 15. Log of Typical PS Count

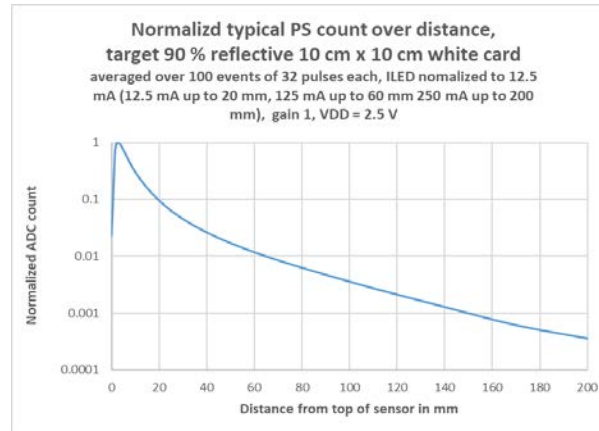


Figure 16. Typical Normalized Standby Current over Temperature

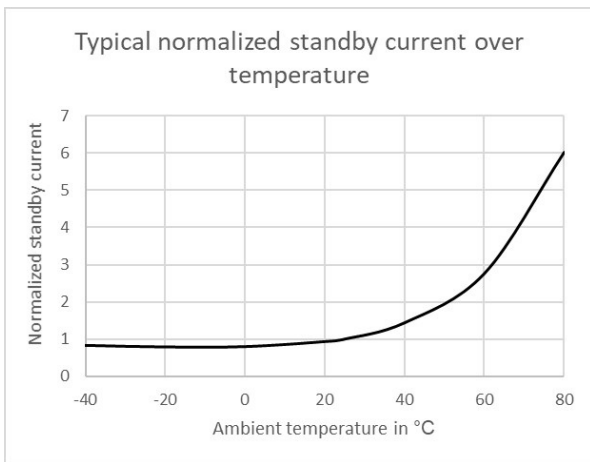


Figure 17. Typical Normalized LED Light Output Linearity with LED Current Register Settings

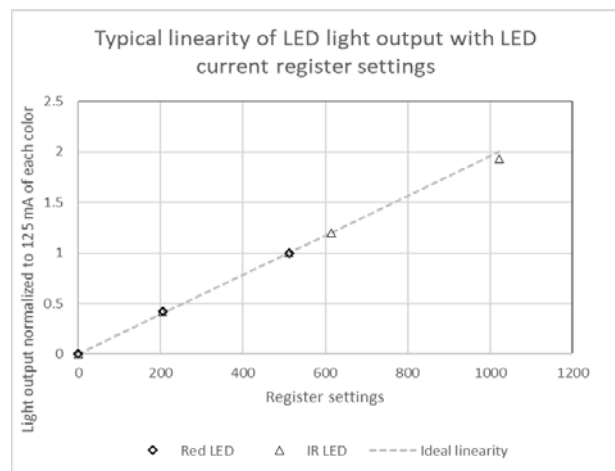


Figure 18. Typical LED Driver Current vs. Current Register Setting

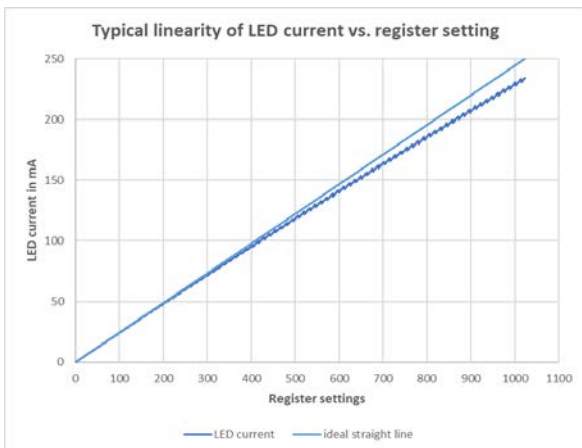


Figure 19. Typical Normalized Spectral Response of PPG and PS sensor (OB1203SD)

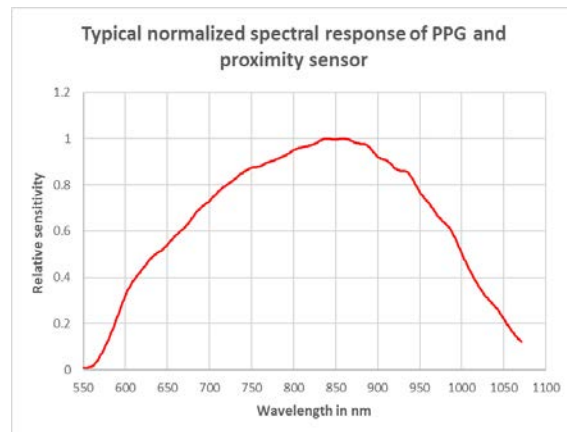
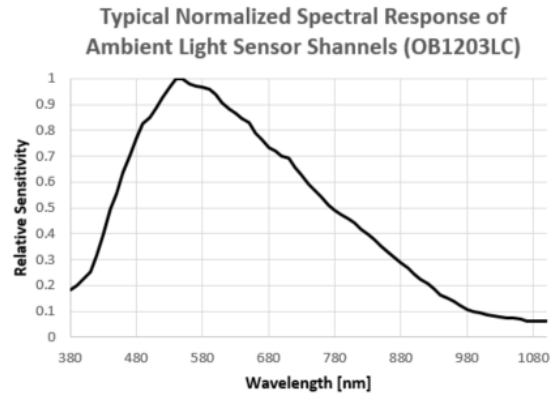
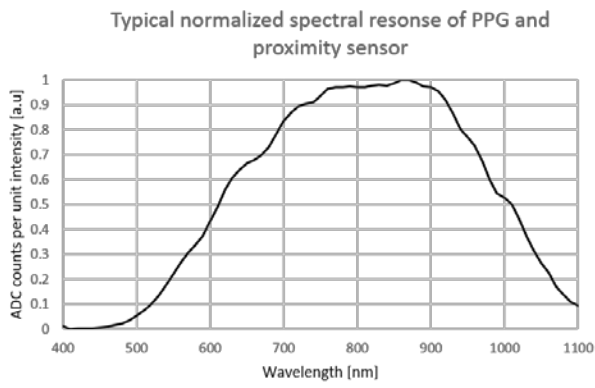


Figure 19. Typical Normalized Spectral Response of PPG and PS sensor (OB1203LC)

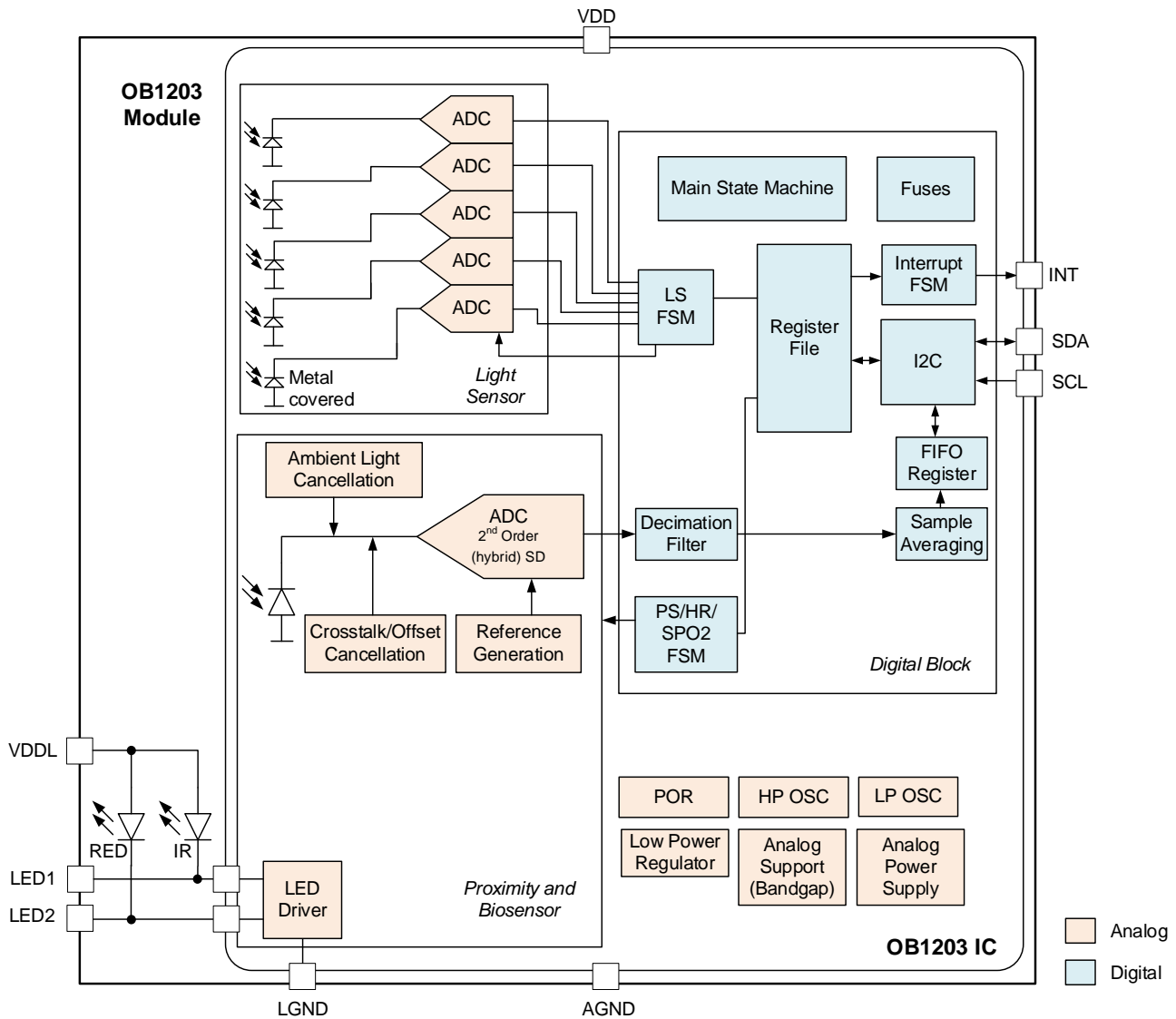
Figure 20. Typical Normalized Spectral Response of PPG and PS sensor (OB1203LC)



## 7. Detailed Description

The OB1203 incorporates a sensor IC and two LEDs for excitation in the optical red and infrared range. The IC contains different photodiodes for light (R, G, B, and Clear channels) and proximity measurements as well as photoplethysmography. It also has photodiodes for temperature compensation of the light sensor. The sensor diodes are arranged in a matrix array while the single diode for PS/PPG measurement is located below the matrix. The photodiode current is converted to digital values by an analog-to-digital converter (ADC). The OB1203 also includes a current driver for the LEDs as well as some peripheral circuits, such as two internal oscillators, a current source, and voltage reference. It is trimmed and calibrated at final test using settings in nonvolatile memory (NVM).

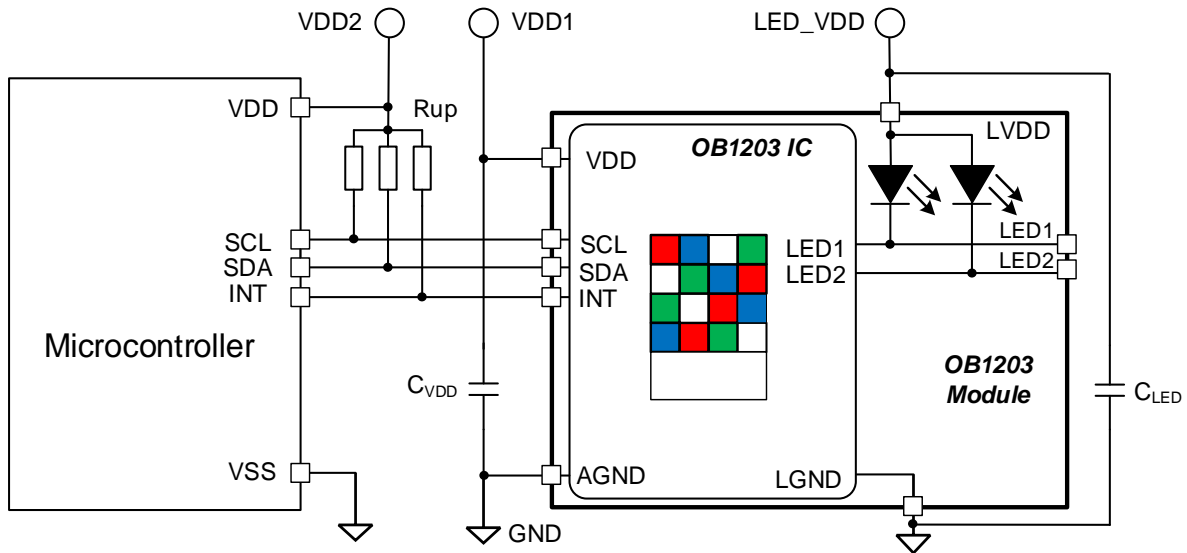
Figure 20. Simplified Block Diagram





### 7.1 Application Circuit

Figure 21. Typical Application Circuit



### 7.2 Modes of Operation

Table 5. Channel Activation during Operation Modes

Mode Name <sup>[a]</sup>	LS		PS		IR PPG		Red PPG	
	Standby	Active	Standby	Active	Standby	Active	Standby	Active
Standby	✓		✓		✓		✓	
LS only		✓	✓		✓		✓	
PS only	✓			✓	✓		✓	
LS+PS		✓		✓	✓		✓	
PPG1	✓		✓			✓	✓	
PPG2	✓		✓			✓		✓

[a] All other mode combinations are prohibited and should not be used. Otherwise proper operation is not guaranteed.

### 7.3 Main State Machine

The main state machine is set to “Start State” during a power-on or software reset. As soon as the reset is released, the internal low power (LP) oscillator is started and the programmed I2C address and the trim values are read from the internal NVM trimming data block. The OB1203 enters Standby Mode as soon as the Idle State is reached (see Figure 22).

*Note:* If the I2C address has not yet been read, the device will respond with NACK to any I2C command and ignore any request in order to avoid responding to an incorrect I2C address.

The sensor mode is selected with the respective bits in the *MAIN\_CTRL\_0* (see section 8.2.9) or *MAIN\_CTRL\_1* register (see section 8.2.10; e.g., the *LS\_EN* bit is set to 1. If any of the sensor operation modes are activated through an I2C command, the internal support blocks are immediately powered on. Once the voltages and currents are settled (typically after 1.5ms), the state machine checks for trigger events from a measurement scheduler to start conversions according to the selected measurement periods (see sections 8.2.13, 8.2.18, and 8.2.32).

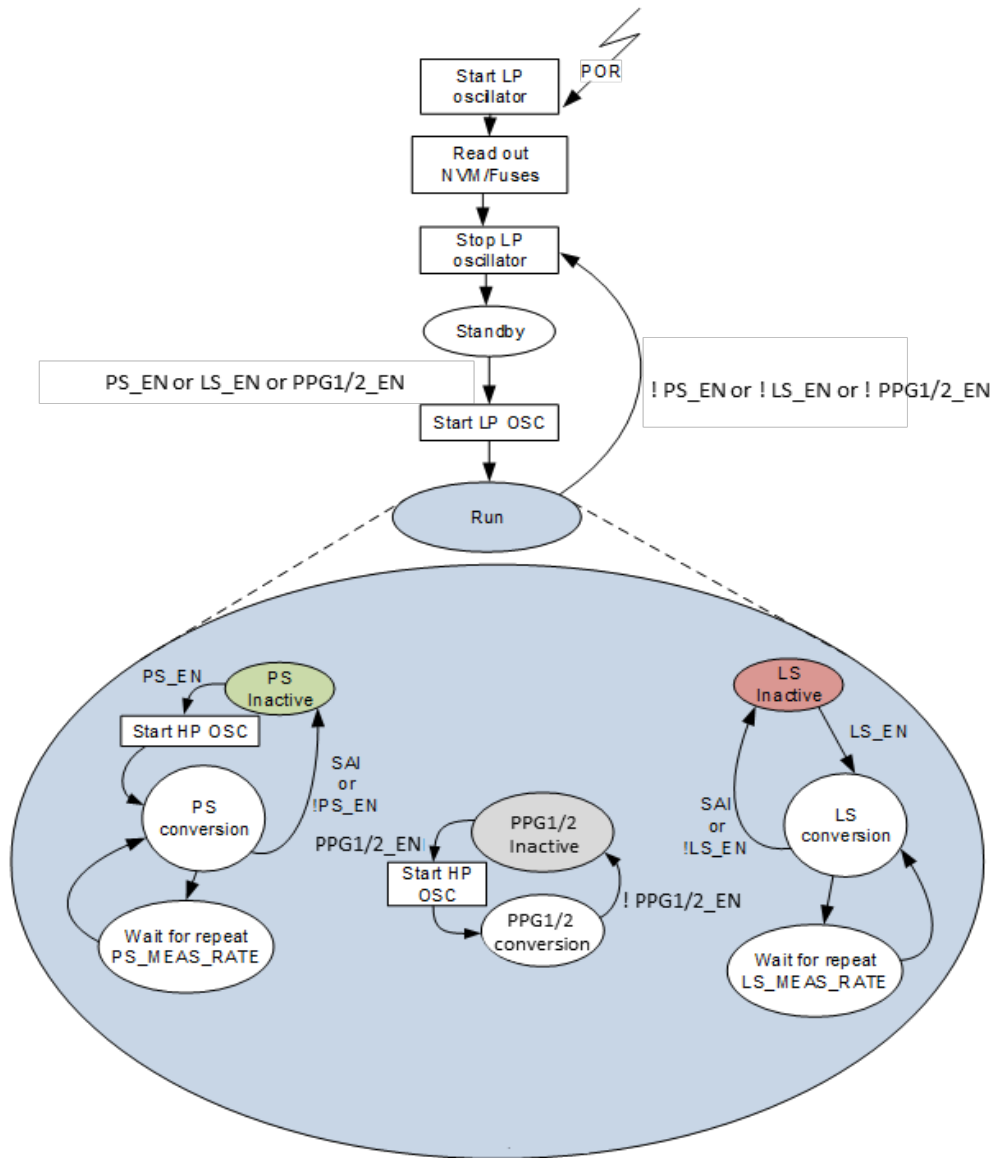
When the user resets the *LS\_EN* bit (or the *PPG\_PS\_EN* bit) to '0,' a running conversion will be completed and the relevant ADCs will move to Standby Mode thereafter. The support blocks will only move to Standby Mode if all sensors are inactive.

If any of the sensors are programmed to "Sleep After Interrupt" (SAI) with the *SAI* bits in the *MAIN\_CTRL\_0* or *MAIN\_CTRL\_1* register, the relevant ADCs will move to Standby Mode after the interrupt condition occurs. Also the sensor enable bits *LS\_EN* or *PPG\_PS\_EN* will be set following a read out of the corresponding status register *STATUS\_0* or *STATUS\_1*.

The deactivation of either *LS* or *PPG/PS* in the *MAIN\_CTRL\_0* or *MAIN\_CTRL\_1* registers will not clear the related status bits in the *STATUS\_0* or *STATUS\_1* register. They will always be reset upon activation of the respective sensor.

If no measurements are enabled, as on power-up, the OB1203 is automatically in Low-Power Standby Mode.

Figure 22. Simplified Main State Machine



## 7.4 Light Sensor Description

The light sensor (LS) can be operated independently and in parallel to the proximity sensor (PS). It can be configured to run in LS Mode (Green, Clear and Comp) or in CS mode (Red, Green, Blue, Clear, and Comp) (see Table 6). If the full CS functionality is not needed, LS Mode can be selected in the MAIN\_CTRL\_0 (15<sub>HEX</sub>) register (see section 8.2.9). For the OB1203LC, use LS mode only to save power because all color channels have equivalent spectral response. Color sensors are available for the OB1203SD variant. The OB1203LC variant lacks color filters and has the same spectral response for all light sensor channels.

The Comp channel receives data from a metal-covered photodiode used to measure dark current and compensate the readings of the light sensors for temperature changes.

Table 6. LS Channel Activation in LS and CS Mode

LS Mode	Red	Green	Blue	Clear	Comp
LS (LS_Mode = 0)		✓		✓	✓
CS (LS_Mode = 1)	✓	✓	✓	✓	✓

The OB1203 light sensor range and sensitivity are configured by the LS\_RES\_PERIOD register (22<sub>HEX</sub>; see section 8.2.18) and LS\_GAIN register (23<sub>HEX</sub>; see section 8.2.19). The same gain and resolution (measurement time) settings are applied to the LS/CS channels. If different gain or resolution settings are required for different channels, conversions must be performed consecutively with modified settings.

Gain (i.e., 1x, 3x, 6x) sets the maximum light level that will saturate the sensor. Higher gain means a smaller maximum and minimum detectable signal.

Resolution sets the dynamic range, namely the number of counts that corresponds to the highest signal. Higher resolutions have a higher maximum number of counts and a correspondingly smaller least significant bit (higher sensitivity). Higher resolution is obtained by a longer integration (measurement) time.

For automatic gain control methods, if a channel is saturated or close to saturation, e.g. above 80% of max counts, the user application can decrease the gain. If the light level is less than about 20% for all sensors' readings, the user's application can increase the gain.

In order to make measurements at different resolutions and gains equivalent, appropriate scaling should be performed. An example calculation of lux given in Equation 1, Equation 2, and Equation 3 scales all measurements to the highest gain and highest resolution.

$$Lux = Gain_{scale} Res_{scale} (C_1R + C_2G + C_3B) \tag{Equation 1}$$

$$Gain_{scale} = \frac{6}{gain} \tag{Equation 2}$$

$$Res_{scale} = 2^{(20 - res)} \tag{Equation 3}$$

Where *gain* is 1, 3, or 6, *res* is 13, 16, 17, 18, 19, or 20 and *C*<sub>1</sub>, *C*<sub>2</sub>, and *C*<sub>3</sub> are application-specific color correction coefficients.

Table 7. LS Detection Ranges and Sensitivity Calculation Example (OB1203SD variant)

			Gain <sup>[a]</sup> 1		Gain 3		Gain 6	
Resolution [bits]	Measurement Time [ms]	Maximum Counts	Sensitivity	Range (Detectable Light Levels)	Sensitivity	Range	Sensitivity	Range
13	3.125	8191	1x	6x	3x	3x	6x	1x
16	25	65535	8x	6x	24x	3x	48x	1x
17	50	131071	16x	6x	48x	3x	96x	1x
<b>18 (default)</b>	<b>100</b>	<b>262143</b>	32x	6x	<b>96x</b>	<b>3x</b>	192x	1x
19	200	524,288	64x	6x	192x	3x	384x	1x
20	400	1,048,575	128x	6x	384x	3x	768x	1x

## 7.5 Proximity and PPG Sensor Description

The proximity and PPG sensor measures the amount of reflected energy in the red and infrared range from a target object using the LED cathode/driver outputs on the LED2 and LED1 pins, respectively. The transmitter is realized with an infrared LED (peak wavelength of approximately 940nm) and a red LED (peak wavelength of approximately 700nm) that are integrated in the OB1203 module.

The photodiode is integrated on-chip. Its analog output signal is converted to a digital value by an integrated ADC. The conversion result is stored in an output register that can be read via the I2C bus. There are four gain modes to adjust the PS/PPG sensitivity of the OB1203 to the needs of the application.

Ambient light influence is suppressed by default (ambient light cancellation). To reduce the influence of crosstalk of reflected LED light behind a cover glass or from the skin surface, the OB1203 has an analog crosstalk cancellation built in. This function can subtract a DC offset signal before the analog-to-digital conversion and therefore avoids reduction in the sensor's dynamic range by optical crosstalk or unwanted optical back scatter. For further details, see the *OB1203 Application Note – PS/PPG Crosstalk Cancellation*. The value of the DC offset signal is accessible via a register each for the PPG and PS measurements. The external application must determine the appropriate cancellation values prior to the start of the measurement. After AD conversion but before the interrupt threshold comparison, the PS Mode allows an additional digital crosstalk reduction (see 7.5.2).

### 7.5.1 LEDs and Integrated LED Driver

The built-in LEDs are controlled via the integrated LED driver of the OB1203. The LED intensity can be adjusted by the LED current (refer to Table 4). The LED currents are adjustable in register *PS\_LED\_CURR* for PS and *PPG\_IRLED\_CURR/PPG\_RLED\_CURR* for PPG independently (sections 8.2.11, 8.2.28, and 8.2.29).

### 7.5.2 Principles of Proximity Sensor Operation

The proximity sensor can be operated independently and in parallel with the light sensor. By default, the IR LED (LED1 pin) is used as the transmitter. The PS gain is adjustable in four steps with the *PPG\_PS\_GAIN* register (see section 8.2.26).

The timing is programmable by defining the number of LED pulses  $N_{PULSES}$ , the pulse width  $t_{PS\_pw}$ , and the measurement period  $t_{PS}$  (refer to Figure 23 and Table 8) in the *PS\_PWIDTH\_PERIOD* register; see section 8.2.13. The pulse repetition period  $t_{PS\_pr}$  depends on the pulse width  $t_{PS\_pw}$ .

An analog cancellation that allows a rough adjustment without loss of dynamic range for the PS is accessible with the *PS\_CAN\_PULSES* register; see section 8.2.30. A digital crosstalk cancellation can be used for fine adjustments (see sections 7.5 and 8.2.12). The digital cancellation value is automatically subtracted from the PS conversion result.

To improve PS data noise, the moving average and hysteresis features can be activated in the *PS\_MOV\_AVG\_HYS* register; refer to section 8.2.15.

Figure 23. PS Timing Characteristic

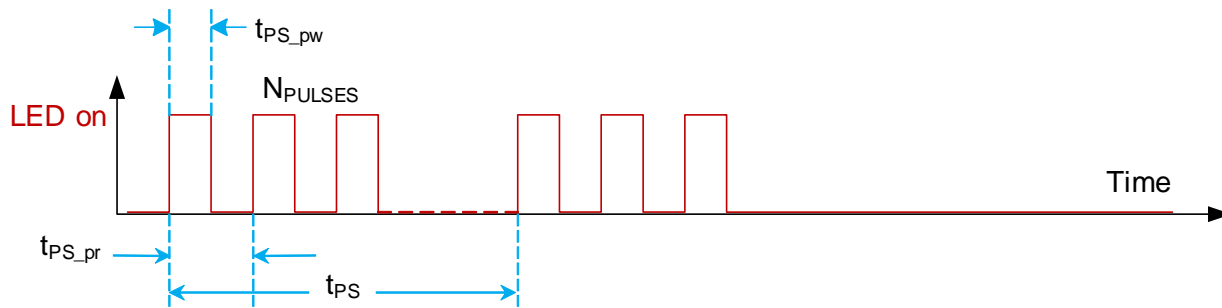


Table 8. PS Parameter

Setting	Symbol	Range of settings
Number of LED pulses [a]	$N_{PULSES}$	1 to 32
Measurement period	$t_{PS}$	3.125ms to 400ms
Pulse width	$t_{PS\_pw}$	26 $\mu$ s   42 $\mu$ s   71 $\mu$ s
Pulse repetition period	$t_{PS\_pr}$	89 $\mu$ s   118 $\mu$ s   176 $\mu$ s

[a] For measurement periods of 3.125ms and pulse widths above 26 $\mu$ s, the number of LED pulses is limited to 16.

### 7.5.3 Principles of PPG Sensor Operation

The PPG sensor can operate with two modes: PPG1 and PPG2. For PPG1 Mode, only LED1 (the IR LED) is used by default. This mode allows determination of parameters related to heart rate with an appropriate algorithm. The PPG2 Mode also uses LED2 (the Red LED) as a transmitter. This mode supports further analysis, such as SpO<sub>2</sub> and respiration rate determination. By (temporarily) enabling the LED\_FLIP bit during the measurement, it is possible to use the red LED for PPG1 Mode; see section 8.2.27. Hence, an optical feedback on the correct positioning of the person's finger can be provided. Furthermore HR determination with the red LED instead of the IR LED is supported.

The timing is programmable by defining the pulse width  $t_{PPG\_pw}$  and the measurement period  $T_{PPG}$  (see Figure 24 and Table 9) via changing register *PPG\_PWIDTH\_PERIOD*; see section 8.2.32. The pulse repetition period  $t_{PPG\_pr}$  depends on the pulse width  $t_{PPG\_pw}$ .

The influence of reflected light from the skin surface may be reduced by using the analog crosstalk cancellation. This modification is available via a setting in the register *PPG\_CAN\_ANA*, see section 8.2.30.

An averaging function can be applied to improve the signal to noise ratio and to reduce the data rate of the PPG data obtained. The number of samples averaged is programmable via the *PPG\_AVG* register (see section 8.2.31).

Figure 24. PPG Timing Characteristic (without Averaging)

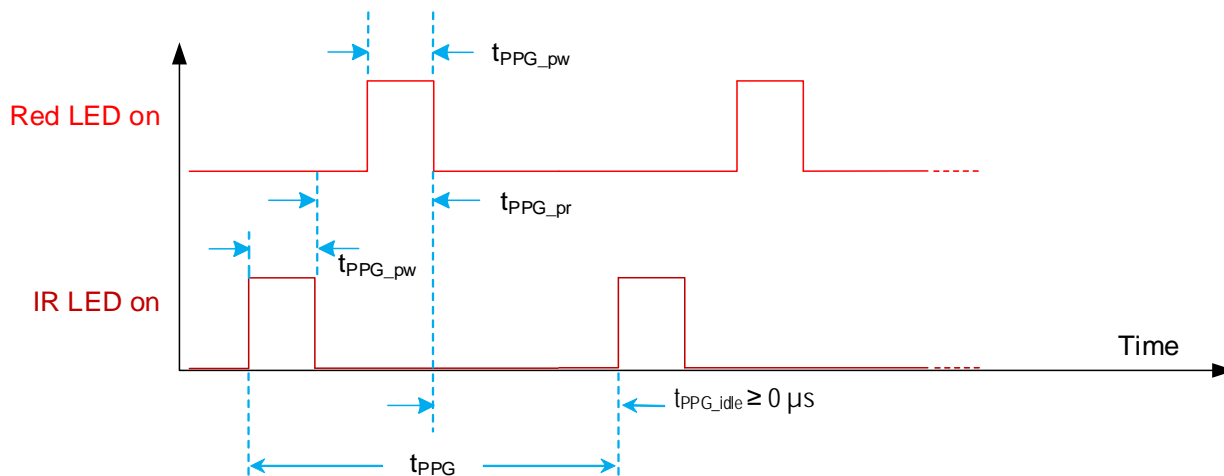


Table 9. PPG Parameters

Note: Not all combinations of settings are valid. For details, see section 8.2.32.

Setting	Symbol	Range of Settings
Measurement period	$t_{PPG}$	0.3125ms to 20ms
Pulse width	$t_{PPG\_pw}$	130 $\mu$ s to 949 $\mu$ s
Pulse repetition period	$t_{PPG\_pr}$	294 $\mu$ s to 1934 $\mu$ s

The PPG data is stored in a FIFO register. The FIFO consists of 32 words of 3 bytes each, so the FIFO can hold up to 32 samples of PPG1 measurement data or 16 sample pairs of PPG2 measurement data. In PPG2 Mode, the IR LED (LED1) data is written to the FIFO first followed by the result of the red LED (LED2) by default. The FIFO register read out via the I2C register *FIFO\_DATA* has special features to enable reliable, time-resolved PPG measurements; see section 7.7.2.

The FIFO Write Pointer, FIFO Read Pointer, and FIFO Overflow Counter help to control the readout without losing samples. The FIFO Write Pointer contains the FIFO index where the next sample of PPG data will be written in the FIFO (see section 8.2.34). The FIFO Read Pointer contains the FIFO index of the FIFO register (of the first data which has not been read) (section 8.2.35). The FIFO Overflow Counter (see section 8.2.36) counts the number of lost or overwritten samples if the FIFO Rollover Enable is set (see section 8.2.33).

The *FIFO\_DATA* (3B<sub>HEX</sub>; see section 8.2.37) data register is special, providing access to an internal RAM that stores the biosensor data. Successive reads of the *FIFO\_DATA* register are indexed through the RAM, not the register map. To access registers beyond 3B<sub>HEX</sub>, a write operation to a register beyond 3B<sub>HEX</sub> must be performed.

It is necessary for the *FIFO\_DATA* register to be read in a single burst (a.k.a. “block”) read. To read one data word (of 18 bits), a 3-byte block read at the address 3B<sub>HEX</sub> must be performed. For the read of *n* words a 3*n* byte block read can be performed.

Several readout scenarios depending on the demands of the application are supported by using the “FIFO almost full interrupt” and “PPG data interrupt” settings; see section 7.6.3.

By default, in the event of a full FIFO, no further samples of PPG data are written into the FIFO. If the FIFO Rollover Enable bit (refer to section 8.2.33) is set to 1, when the FIFO is full, new PPG data will overwrite old data in the FIFO.

## 7.6 Interrupt Features

The OB1203 can generate independent LS, PS, and PPG interrupt signals. LS and PS interrupts will be triggered if the upper or lower threshold values are crossed. The PPG interrupts notify on the availability of new PPG data and on an adjustable number of free FIFO registers remaining during a PPG measurement.

Another feature is the option to deactivate a sensor after an interrupt event occurs by setting the *Sleep After Interrupt* bit in the respective *MAIN\_CTRL\_0* or *MAIN\_CTRL\_1* register (*SAI\_LS* and *SAI\_PS* for light and proximity sensors respectively). This feature is independently available for both the PS and LS/CS sensors.

The LS and PS persistence settings determine the number of consecutive samples that must be measured before the interrupt is asserted.

For LS, an interrupt can also be triggered if the output count variation of consecutive conversions has exceeded a defined limit.

The PS Logic Output Mode allows the interrupt pin to show whether objects are near or far. If the PS Logic Output Mode is set, then no other interrupts will be asserted.

All interrupt signals as well as *ps\_logic\_mode* are active low at the INT pin.

Clearing the interrupt status flag by reading the status register will also clear the interrupt signal on the INT pin except in the PS Logic Output Mode.

### 7.6.1 LS Interrupt

The LS interrupt functionality is configured by the bits in the *INT\_CFG\_0* register (see section 8.2.23). It can function as either threshold triggered (*LS\_VAR\_MODE* = 0) or variance triggered (*LS\_VAR\_MODE* = 1).

The *LS\_INT\_SEL* bits in the *INT\_CFG\_0* register configure which of the LS/CS channels (Clear, Green, Red or Blue) will be compared with the interrupt thresholds.

The threshold interrupt is enabled with *LS\_INT\_EN* = 1 and *LS\_VAR\_MODE* = 0. The interrupt is set when the respective *\*\_DATA* register of the selected interrupt source channel is above the upper or below the lower threshold configured in the *LS\_THRES\_UP* and *LS\_THRES\_LOW* registers (see sections 8.2.20 and 8.2.21 respectively) for a specified number of consecutive measurements as configured in the *INT\_PST* register ( $1 + \text{LS\_PERSIST}$ ) (see section 8.2.25).

The variance interrupt is enabled with *LS\_INT\_EN* = 1 and *LS\_VAR\_MODE* = 1. It is set when the absolute value difference between the preceding and the current output data of the selected interrupt source channel is above the variance threshold.

In Variance Mode if *LS\_PERSIST* > 0 (see section 8.2.25), each measurement must differ from the previous by the specified variance (any combination of up and down changes). *LS\_PERSIST* > 0 is not recommended in Variance Mode.

### 7.6.2 PS Interrupt

The interrupt is configured by the bits in the *INT\_CFG\_1* register (see section 8.2.24) and enabled with *PS\_INT\_EN* = 1.

The bit *PS\_LOGIC\_MODE* in the *INT\_CFG\_1* register further defines the behavior of the interrupt.

***PS\_LOGIC\_MODE* = 0:** The interrupt is set (interrupt pin to ground and the status bits to 1) after each measurement when the *PS\_DATA* is above the upper threshold configured in the *PS\_THRES\_UP* register (see section 8.2.16).

The interrupt is also set (interrupt pin to ground and the status bits to 1) after each measurement when the *PS\_DATA* is below the lower threshold configured in the *PS\_THRES\_LOW* (see section 8.2.17).

The interrupt is cleared (interrupt pin to high; status bit to zero) when the STATUS or PS DATA registers are read or the data measurement is between the two thresholds.

For *PS\_PERSIST* > 0, the interrupts occur only after a specified number of consecutive measurements above or below the respective thresholds, as configured in the *INT\_PST* register ( $1 + \text{PS\_PERSIST}$ ) (see section 8.2.25).

To obtain interrupts whenever new data is available, set the upper threshold below the lower threshold and PS\_PERSIST = 0.

Interrupt pin and *PS\_interrupt\_status* bit: Reset by *STATUS\_1* register read (see section 8.2.2)

*PS\_data\_status* bit: Reset by data register read

*PS\_logic\_signal\_status* bit: Reset by interrupt condition (signal below lower threshold)

**PS\_LOGIC\_MODE = 1:** The interrupt and the status bits in the *STATUS\_1* register are set (interrupt pin to ground) when the *PS\_DATA* content is above the upper threshold configured in the *PS\_THRES\_UP* register and held until the *PS\_DATA* drops below the lower threshold configured in the *PS\_THRES\_LOW* register. For the PS logic status bit, a set interrupt is equal to the Near Mode (strong reflective signal, object close), while a weak signal (no interrupt) is the Far Mode (object far away).

For *PS\_PERSIST* > 0, the interrupt changes only after a specified number of consecutive measurements above or below the respective thresholds, as configured in the *INT\_PST* register (1 + *PS\_PERSIST*) (see section 8.2.25).

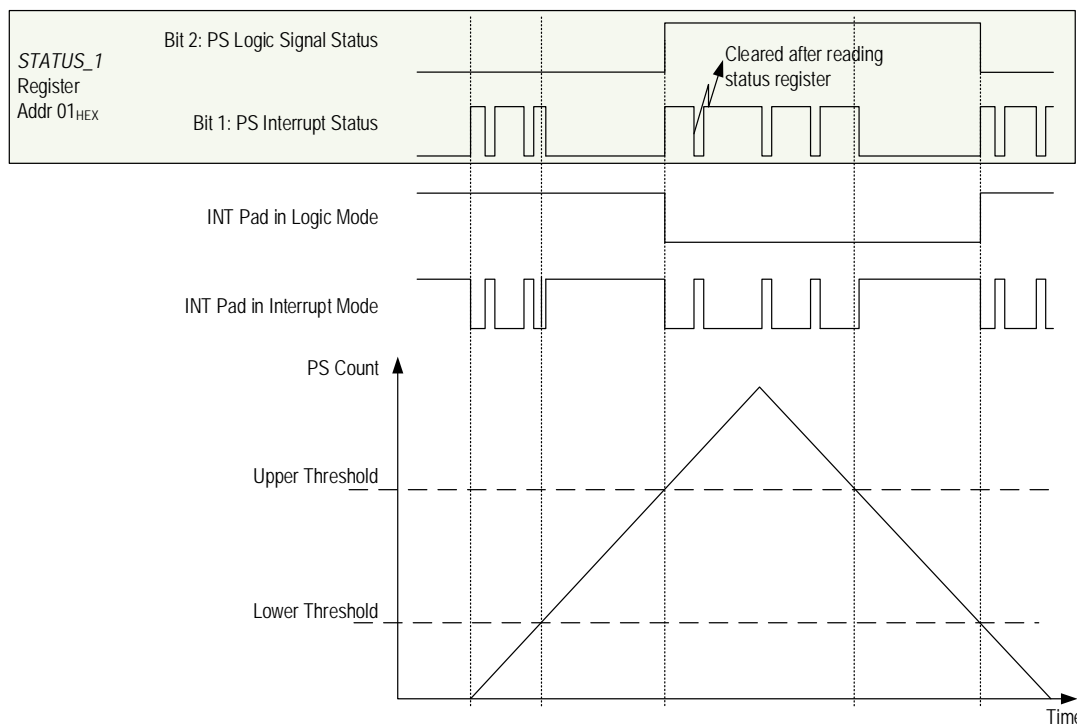
*PS\_interrupt\_status* bit: Reset by *STATUS\_1* register read

*PS\_data\_status* bit: Reset by data register read

Interrupt pin and *PS logic status* bit: Reset by interrupt condition (signal below lower threshold)

The PS interrupt generator is shown in the upper part of Figure 25. An example of the interrupt behavior is also shown in the figure.

Figure 25. PS Interrupt Behavior Examples



Note: The *STATUS\_0* and *STATUS\_1* registers should be read out immediately after an interrupt transition has occurred on the INT pin. As the interrupts are not reset automatically, an interrupt event caused by crossing the opposite threshold could be missed.



### 7.6.3 PPG Interrupt

The *FIFO\_almost\_full* interrupt is enabled by setting the *A\_FULL\_INT\_EN* bit in register *INT\_CFG\_1* to '1' (see section 8.2.24). It is triggered when a certain number of free FIFO registers are remaining. This number can be configured in register *FIFO\_CFG* (see section 8.2.33). The status bit of the *FIFO\_almost\_full* interrupt in the *STATUS\_1* register is set even if the interrupt pin is disabled. The status bit *FIFO\_almost\_full\_interrupt* is cleared by reading the *STATUS\_1* register or reading the *FIFO\_DATA* register.

The PPG data interrupt is enabled by setting the *PPG\_INT\_EN* bit in register *INT\_CFG\_1* to '1' (see section 8.2.24). It is triggered when a new sample of PPG measurement data is available in the FIFO. The *PPG\_data\_status* bit is set even if the interrupt pin is disabled. The *PPG\_data\_status* bit is cleared by reading the *STATUS\_1* register or reading the *FIFO\_DATA* register.

## 7.7 I2C Interface

The OB1203 is equipped with an I2C interface for control and data communication. The chip always operates as a slave. A read/write bit must be appended to the slave address by the master device to properly communicate with the device.

The interface is compatible with Standard Mode (100kHz) and Fast Mode (400kHz) I2C communication.

Table 10. Supported I2C clock Frequencies

Mode	Frequency	Transient Noise Filter
Standard	100kHz	50ns
Fast	400kHz	50ns

The I2C circuitry is always active (Standby or Active Mode of the OB1203). If the I2C address is not yet read from the memory block, the device will respond with "NACK" to any request and ignore the possible commands. An attempt to read or write to non-existing addresses will be answered with "NACK."

### 7.7.1 I2C Address Decoding

The 7 bit I2C address of the device is 53<sub>HEX</sub>. Appending the write / read bit yields A6<sub>HEX</sub> for write and A7<sub>HEX</sub> for read in the I2C address command.

### 7.7.2 I2C Register Read

The OB1203 registers can be read individually or in Block Read Mode. If the last valid address (51<sub>HEX</sub>) has been reached, but the master continues with the block read, the address counter in the OB1203 will not roll over and the OB1203 returns 00<sub>HEX</sub> for every subsequent byte read.

The block read operation is the only way to ensure correct data read out of multi-byte data registers and to avoid splitting of results with HIGH and LOW bytes originating from different conversions. If an I2C read operation is active, all registers are locked until the I2C read operation is completed. This guarantees that the data in the LS/PS data and status registers come from the same measurement even if an additional measurement cycle ends during the read operation. New measurement data is stored into temporary registers and the I2C \*\_DATA registers are updated as soon as there is no on-going I2C read operation.

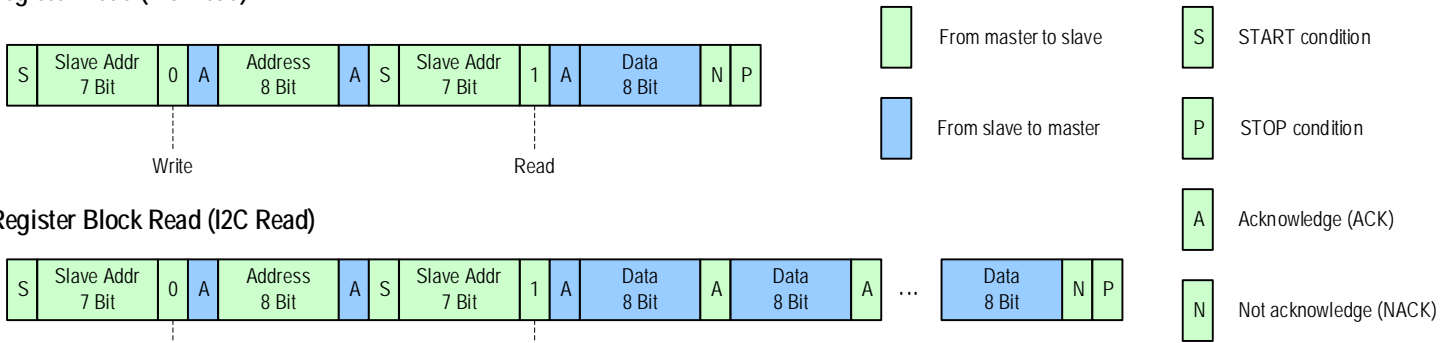
The *FIFO\_DATA* register (see section 8.2.37) behaves differently from all other readable registers. Reading the *FIFO\_DATA* register does not increment the register address. A block read from this register reads this address again and again. However the *FIFO\_RD\_PTR* register is incremented after reading a sample consisting of 3 bytes and so the FIFO can be read byte-by-byte. To continue I2C register reads after *FIFO\_DATA*, a new command with the address of this register must be sent before the data from this and the following registers can be read. See section 8.2.37 for more details.

If a read access is started on an address outside the valid address range, the OB1203 will return NACK until the I2C operation is ended.

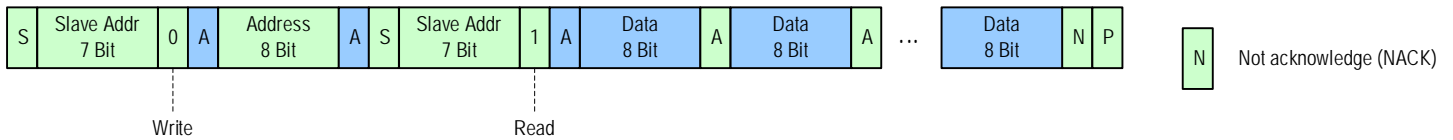
Read operations must follow the timing diagram in Figure 26.

Figure 26. I2C Register Read

Register Read (I2C Read)



Register Block Read (I2C Read)



7.7.3 I2C Register Write

The OB1203 registers can be written to individually or in Block Write Mode. If a register includes read (R) and read/write (RW) bits, data written to read-only bits are ignored.

If the last valid address (51<sub>HEX</sub>) of the OB1203 address range is reached but the master attempts to continue the block write operation, the address counter of the OB1203 will not roll over. The OB1203 will return NACK for every following byte sent by the master until the I2C operation is ended.

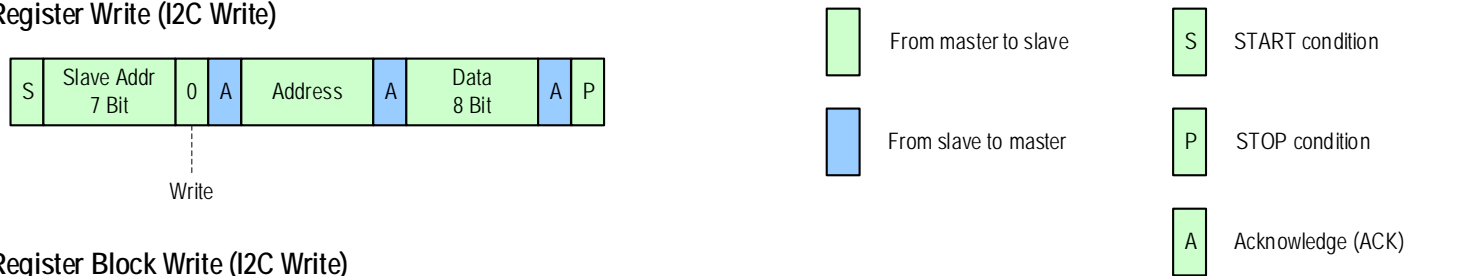
If a write access is started on an address outside the valid address range, the OB1203 will return NACK until the I2C operation is ended.

Some register bits are R/W and must be set to a specific value 0 or 1 as indicated in the register map.

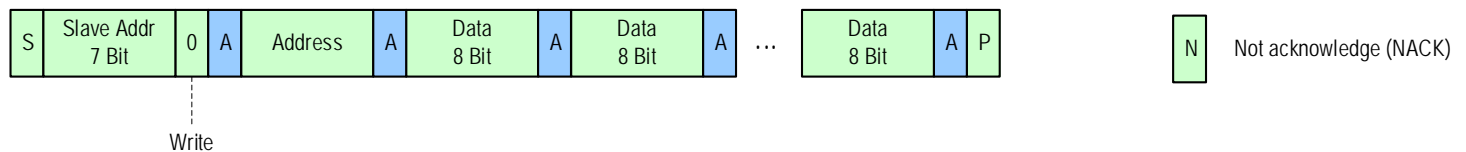
Write operations must follow the timing diagram in Figure 27.

Figure 27. I2C Register Write

Register Write (I2C Write)



Register Block Write (I2C Write)



7.7.4 I2C Interface Bus Timing

Figure 28. Bus Timing

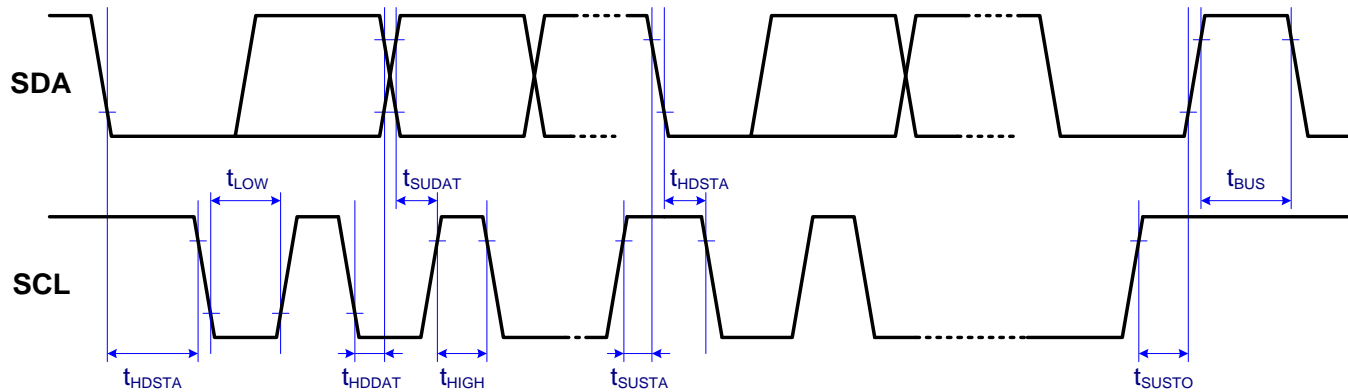


Table 11. Bus Timing Characteristic

Parameter	Symbol	Standard Mode	Fast Mode	Units
Maximum SCL clock frequency	$f_{SCL}$	100	400	kHz
Minimum START condition hold time relative to SCL edge	$t_{HDSTA}$	4		$\mu s$
Minimum SCL clock low width	$t_{LOW}$	4.7		$\mu s$
Minimum SCL clock high width	$t_{HIGH}$	4		$\mu s$
Minimum START condition setup time relative to SCL edge	$t_{SUSTA}$	4.7		$\mu s$
Minimum data hold time on SDA relative to SCL edge	$t_{HDDAT}$	0		$\mu s$
Minimum data setup time on SDA relative to SCL edge	$t_{SUDAT}$	0.1	0.1	$\mu s$
Minimum STOP condition setup time on SCL	$t_{SUSTO}$	4		$\mu s$
Minimum bus free time between stop condition and start condition	$t_{BUS}$	4.7		$\mu s$

## 8. Registers

### 8.1 Register Map

Table 12. Register Map: Summary of Internal Registers

Address	Type	Name	Default Value	Description
00 <sub>HEX</sub>	R	STATUS_0	80 <sub>HEX</sub>	Power-on status, LS interrupt, and LS data status
01 <sub>HEX</sub>	R	STATUS_1	00 <sub>HEX</sub>	PPG/PS data status, PS/PPG interrupt status
02 <sub>HEX</sub>	R	PS_DATA_0	00 <sub>HEX</sub>	PS measurement data, LSB
03 <sub>HEX</sub>	R	PS_DATA_1	00 <sub>HEX</sub>	PS measurement data, MSB
04 <sub>HEX</sub>	R	LS_CLEAR_DATA_0	00 <sub>HEX</sub>	LS Clear measurement data, LSB
05 <sub>HEX</sub>	R	LS_CLEAR_DATA_1	00 <sub>HEX</sub>	LS Clear measurement data intervening bits
06 <sub>HEX</sub>	R	LS_CLEAR_DATA_2	00 <sub>HEX</sub>	LS Clear measurement data, MSB
07 <sub>HEX</sub>	R	LS_GREEN_DATA_0	00 <sub>HEX</sub>	LS Green/LS measurement data, LSB
08 <sub>HEX</sub>	R	LS_GREEN_DATA_1	00 <sub>HEX</sub>	LS Green/LS measurement data intervening bits
09 <sub>HEX</sub>	R	LS_GREEN_DATA_2	00 <sub>HEX</sub>	LS Green/LS measurement data, MSB
0A <sub>HEX</sub>	R	LS_BLUE_DATA_0	00 <sub>HEX</sub>	LS Blue measurement data, LSB
0B <sub>HEX</sub>	R	LS_BLUE_DATA_1	00 <sub>HEX</sub>	LS Blue measurement data intervening bits
0C <sub>HEX</sub>	R	LS_BLUE_DATA_2	00 <sub>HEX</sub>	LS Blue measurement data, MSB
0D <sub>HEX</sub>	R	LS_RED_DATA_0	00 <sub>HEX</sub>	LS Red measurement data, LSB
0E <sub>HEX</sub>	R	LS_RED_DATA_1	00 <sub>HEX</sub>	LS Red measurement data intervening bits
0F <sub>HEX</sub>	R	LS_RED_DATA_2	00 <sub>HEX</sub>	LS Red measurement data, MSB
10 <sub>HEX</sub>	R	COMP_DATA_0	00 <sub>HEX</sub>	LS Comp measurement data, LSB
11 <sub>HEX</sub>	R	COMP_DATA_1	00 <sub>HEX</sub>	LS Comp measurement data intervening bits
12 <sub>HEX</sub>	R	COMP_DATA_2	00 <sub>HEX</sub>	LS Comp measurement data, MSB
15 <sub>HEX</sub>	R/W	MAIN_CTRL_0	00 <sub>HEX</sub>	LS operation mode control, software (SW) reset
16 <sub>HEX</sub>	R/W	MAIN_CTRL_1	00 <sub>HEX</sub>	PPG/PS operation mode control
17 <sub>HEX</sub>	R/W	PS_LED_CURR_0	FF <sub>HEX</sub>	PS LED current, LSB
18 <sub>HEX</sub>	R/W	PS_LED_CURR_1	01 <sub>HEX</sub>	PS LED current, MSB
19 <sub>HEX</sub>	R/W	PS_CAN_PULSES	1A <sub>HEX</sub>	PS analog cancellation level and pulse setting
1A <sub>HEX</sub>	R/W	PS_PWIDTH_PERIOD	15 <sub>HEX</sub>	PS pulse width and measurement period
1B <sub>HEX</sub>	R/W	PS_CAN_DIG_0	00 <sub>HEX</sub>	PS digital cancellation level setting, LSB
1C <sub>HEX</sub>	R/W	PS_CAN_DIG_1	00 <sub>HEX</sub>	PS digital cancellation level setting, MSB
1D <sub>HEX</sub>	R/W	PS_MOV_AVG_HYS	00 <sub>HEX</sub>	PS moving average and hysteresis configuration
1E <sub>HEX</sub>	R/W	PS_THRES_UP_0	FF <sub>HEX</sub>	PS interrupt upper threshold, LSB
1F <sub>HEX</sub>	R/W	PS_THRES_UP_1	FF <sub>HEX</sub>	PS interrupt upper threshold, MSB

Address	Type	Name	Default Value	Description
20 <sub>HEX</sub>	R/W	PS_THRES_LOW_0	00 <sub>HEX</sub>	PS interrupt lower threshold, LSB
21 <sub>HEX</sub>	R/W	PS_THRES_LOW_1	00 <sub>HEX</sub>	PS interrupt lower threshold, MSB
22 <sub>HEX</sub>	R/W	LS_RES_PERIOD	22 <sub>HEX</sub>	LS resolution and measurement period setting
23 <sub>HEX</sub>	R/W	LS_GAIN	01 <sub>HEX</sub>	LS analog gain range setting
24 <sub>HEX</sub>	R/W	LS_THRES_UP_0	FF <sub>HEX</sub>	LS interrupt upper threshold, LSB
25 <sub>HEX</sub>	R/W	LS_THRES_UP_1	FF <sub>HEX</sub>	LS interrupt upper threshold, intervening bits
26 <sub>HEX</sub>	R/W	LS_THRES_UP_2	0F <sub>HEX</sub>	LS interrupt upper threshold, MSB
27 <sub>HEX</sub>	R/W	LS_THRES_LOW_0	00 <sub>HEX</sub>	LS interrupt lower threshold, LSB
28 <sub>HEX</sub>	R/W	LS_THRES_LOW_1	00 <sub>HEX</sub>	LS interrupt lower threshold, intervening bits
29 <sub>HEX</sub>	R/W	LS_THRES_LOW_2	00 <sub>HEX</sub>	LS interrupt lower threshold, MSB
2A <sub>HEX</sub>	R/W	LS_THRES_VAR	00 <sub>HEX</sub>	LS interrupt variance threshold
2B <sub>HEX</sub>	R/W	INT_CFG_0	10 <sub>HEX</sub>	LS interrupt configuration
2C <sub>HEX</sub>	R/W	INT_CFG_1	00 <sub>HEX</sub>	PS/PPG interrupt configuration
2D <sub>HEX</sub>	R/W	INT_PST	00 <sub>HEX</sub>	LS/PS interrupt persist setting
2E <sub>HEX</sub>	R/W	PPG_PS_GAIN	09 <sub>HEX</sub>	PPG/PS gain setting
2F <sub>HEX</sub>	R/W	PPG_PS_CFG	40 <sub>HEX</sub>	PPG power save and LED flip setting
30 <sub>HEX</sub>	R/W	PPG_IRLED_CURR_0	00 <sub>HEX</sub>	PPG IR LED (LED1) current, LSB
31 <sub>HEX</sub>	R/W	PPG_IRLED_CURR_1	00 <sub>HEX</sub>	PPG IR LED current, MSB
32 <sub>HEX</sub>	R/W	PPG_RLED_CURR_0	00 <sub>HEX</sub>	PPG Red LED (LED2) current, LSB
33 <sub>HEX</sub>	R/W	PPG_RLED_CURR_1	00 <sub>HEX</sub>	PPG Red LED current, MSB
34 <sub>HEX</sub>	R/W	PPG_CAN_ANA	00 <sub>HEX</sub>	PPG analog cancellation value
35 <sub>HEX</sub>	R/W	PPG_AVG	0A <sub>HEX</sub>	Number of averaged PPG samples
36 <sub>HEX</sub>	R/W	PPG_PWIDTH_PERIOD	42 <sub>HEX</sub>	PPG pulse width and measurement period
37 <sub>HEX</sub>	R/W	FIFO_CFG	00 <sub>HEX</sub>	FIFO rollover and almost full configuration
38 <sub>HEX</sub>	R/(W)	FIFO_WR_PTR	00 <sub>HEX</sub>	FIFO write pointer
39 <sub>HEX</sub>	R/(W)	FIFO_RD_PTR	00 <sub>HEX</sub>	FIFO read pointer
3A <sub>HEX</sub>	R/(W)	FIFO_OVF_CNT	00 <sub>HEX</sub>	FIFO overflow counter
3B <sub>HEX</sub>	R	FIFO_DATA	00 <sub>HEX</sub>	FIFO mirrored PPG data
3D <sub>HEX</sub>	R	PART_ID	00 <sub>HEX</sub>	Part number ID
42 <sub>HEX</sub>	R/W	DIG_GAIN_TRIM_LED1	factory trimmed	Proximity sensor calibration (set to 0 for PPG sensing)
43 <sub>HEX</sub>	R/W	DIG_GAIN_TRIM_LED1	factory trimmed	Proximity sensor calibration (set to 0 for PPG sensing)

## 8.2 Register Descriptions

### 8.2.1 STATUS\_0

Address                00<sub>HEX</sub>  
 Default value        80<sub>HEX</sub>  
 Register access      R

Bit	7	6	5	4	3	2	1	0
00 <sub>HEX</sub>	Power-On_ status	0	0	0	0	0	LS_interrupt_ status	LS_data_ status

Bit[7]                *Power-On\_status*:  
 If set to 1, the part has had a power-up event, either because the part was turned on or because there was a power-supply voltage disturbance  
**A value of 1 is the default for the first register read after power-on reset.**  
**Note:** All interrupt threshold settings in the registers have been reset to power-on default states and should be examined if the *Power-On status* flag is set.  
**The flag is cleared after the register is read.**

Bit[1]                *LS\_interrupt\_status*: (updated even if the interrupt pin is disabled)  
 0                        Interrupt condition has not occurred (**default**)  
 1                        Interrupt condition has occurred (cleared after read)

Bit[0]                *LS\_data\_status*:  
 0                        Old data, already read (**default**)  
 1                        New data, not yet read (cleared after read)

8.2.2 STATUS\_1

Address 01<sub>HEX</sub>

Default value 00<sub>HEX</sub>

Register access R

Bit	7	6	5	4	3	2	1	0
01 <sub>HEX</sub>	TS_data_status	X	FIFO_almost_full_interrupt	PPG_data_status	0	PS_logic_signal_status	PS_interrupt_status	PS_data_status

- Bit[7] *TS\_data\_status*:
  - 0 Old data, already read (**default**)
  - 1 New data, not yet read (cleared after read)
- Bit[6] *reserved*
- Bit[5] *FIFO\_almost\_full\_interrupt* (updated even when the interrupt pin is disabled)
  - 0 Interrupt condition has not occurred (**default**)
  - 1 Interrupt condition has occurred (cleared after read, also cleared by reading *FIFO\_DATA*)
- Bit[4] *PPG\_data\_status*:
  - 0 Old data, already read (**default**)
  - 1 New data, not yet read (cleared after read, also cleared by reading *FIFO\_DATA*)
- Bit[2] *PS\_logic\_signal\_status*:
  - 0 Object is far (**default**)
  - 1 Object is close
- Bit[1] *PS\_interrupt\_status*: (updated even when the interrupt pin is disabled)
  - 0 Interrupt condition has not occurred (**default**)
  - 1 Interrupt condition has occurred (cleared after read)
- Bit[0] *PS\_data\_status*:
  - 0 Old data, already read (**default**)
  - 1 New data, not yet read (cleared after read)

### 8.2.3 PS\_DATA

Address	02 <sub>HEX</sub> and 03 <sub>HEX</sub>
Default value	00 <sub>HEX</sub> and 00 <sub>HEX</sub>
Register access	R

Bit	7	6	5	4	3	2	1	0
02 <sub>HEX</sub>	PS_DATA_0							
03 <sub>HEX</sub>	PS_DATA_1							

The PS conversion result is automatically corrected by the value of the PS cancellation register (*PS\_CAN\_DIG*, see section 8.2.14):

$$PS\_DATA = PS\_meas - PS\_CAN\_DIG$$

*PS\_meas* is the internal raw value obtained from the PS ADC. If the operations PS moving average and/or PS hysteresis are enabled, they will affect the PS data before they are written in the *PS\_DATA* register.

The PS conversion result is written MSB-aligned into the *PS\_DATA* registers. The result must always be treated as a 16-bit value regardless of the measurement resolution resulting from the pulse width setting selected in the *PS\_PWIDTH\_PERIOD* register (see section 8.2.13). For example, in 10-bit resolution, bits 0 to 5 in *PS\_DATA\_0* are always zero. The smallest value above zero is therefore 64 counts.

Reg 02 <sub>HEX</sub>	Bit[7:0]	PS measurement least significant data byte, bit 0 is always the LSB of the data word
Reg 03 <sub>HEX</sub>	Bit[7:0]	PS measurement most significant data byte, bit 7 is always the MSB of the data word



### 8.2.4 LS\_CLEAR\_DATA

Address	04 <sub>HEX</sub> , 05 <sub>HEX</sub> , and 06 <sub>HEX</sub>
Default value	00 <sub>HEX</sub> , 00 <sub>HEX</sub> , and 00 <sub>HEX</sub>
Register access	R

Bit	7	6	5	4	3	2	1	0
04 <sub>HEX</sub>	LS_CLEAR_DATA_0							
05 <sub>HEX</sub>	LS_CLEAR_DATA_1							
06 <sub>HEX</sub>	0	0	0	0	LS_CLEAR_DATA_2			

Light sensor Clear channel digital output data:

The LS conversion results are automatically compensated by the value of *COMP\_DATA*:

$$LS\_CLEAR\_DATA = (LS\_CLEAR_{int} - COMP\_DATA)$$

*LS\_CLEAR<sub>int</sub>* is the internal raw value obtained from the Clear LS ADC. If *LS\_CLEAR<sub>int</sub>* is already full-scale, then the value of *LS\_CLEAR\_DATA* is set to its maximum value without subtracting *COMP\_DATA*.

*LS\_CLEAR\_DATA* is clipped at  $(2^{Resolution} - 1)$  and always written as unsigned integer values LSB-aligned into the *LS\_CLEAR\_DATA* registers, regardless of the resolution selected in the *LS\_RES\_PERIOD* register. *LS\_CLEAR\_DATA\_2* and *LS\_CLEAR\_DATA\_1* are filled with '0' for resolutions lower than 20 bit and 16 bit, respectively.

Reg 04 <sub>HEX</sub>	Bit[7:0]	Clear diode data least significant data byte
Reg 05 <sub>HEX</sub>	Bit[7:0]	Clear diode data middle data byte
Reg 06 <sub>HEX</sub>	Bit[3:0]	Clear diode data most significant data byte

### 8.2.5 LS\_GREEN\_DATA

Address	07 <sub>HEX</sub> , 08 <sub>HEX</sub> , and 09 <sub>HEX</sub>
Default value	00 <sub>HEX</sub> , 00 <sub>HEX</sub> , and 00 <sub>HEX</sub>
Register access	R

Bit	7	6	5	4	3	2	1	0
07 <sub>HEX</sub>	LS_GREEN_DATA_0							
08 <sub>HEX</sub>	LS_GREEN_DATA_1							
09 <sub>HEX</sub>	0	0	0	0	LS_GREEN_DATA_2			

Light sensor Green channel digital output data:

The LS conversion results are automatically compensated by the value of *COMP\_DATA*:

$$LS\_GREEN\_DATA = (LS\_GREEN_{int} - COMP\_DATA)$$

*LS\_GREEN<sub>int</sub>* is the internal raw value obtained from the Green LS ADC. If *LS\_GREEN<sub>int</sub>* is already full-scale, then the value of *LS\_GREEN\_DATA* is set to its maximum value without subtracting *COMP\_DATA*.

*LS\_GREEN\_DATA* is clipped at  $(2^{Resolution} - 1)$  and always written as unsigned integer values LSB-aligned into the *LS\_GREEN\_DATA* registers, regardless of the resolution selected in the *LS\_RES\_PERIOD* register. *LS\_GREEN\_DATA\_2* and *LS\_GREEN\_DATA\_1* are filled with '0' for resolutions lower than 20 bit and 16 bit, respectively.

Reg 07 <sub>HEX</sub>	Bit[7:0]	Green diode data least significant data byte
Reg 08 <sub>HEX</sub>	Bit[7:0]	Green diode data middle data byte
Reg 09 <sub>HEX</sub>	Bit[3:0]	Green diode data most significant data byte

### 8.2.6 LS\_BLUE\_DATA

Address	0A <sub>HEX</sub> , 0B <sub>HEX</sub> , and 0C <sub>HEX</sub>
Default value	00 <sub>HEX</sub> , 00 <sub>HEX</sub> , and 00 <sub>HEX</sub>
Register access	R

Bit	7	6	5	4	3	2	1	0
0A <sub>HEX</sub>	LS_BLUE_DATA_0							
0B <sub>HEX</sub>	LS_BLUE_DATA_1							
0C <sub>HEX</sub>	0	0	0	0	LS_BLUE_DATA_2			

Light sensor Blue channel digital output data:

The LS conversion results are automatically compensated by the value of *COMP\_DATA*:

$$LS\_BLUE\_DATA = (LS\_BLUE_{int} - COMP\_DATA)$$

*LS\_BLUE<sub>int</sub>* is the internal raw value obtained from the Blue LS ADC. If *LS\_BLUE<sub>int</sub>* is already full-scale, then the value of *LS\_BLUE\_DATA* is set to its maximum value without subtracting *COMP\_DATA*.

*LS\_BLUE\_DATA* is clipped at  $(2^{Resolution} - 1)$  and always written as unsigned integer values LSB-aligned into the *LS\_BLUE\_DATA* registers, regardless of the resolution selected in the *LS\_RES\_PERIOD* register. *LS\_BLUE\_DATA\_2* and *LS\_BLUE\_DATA\_1* are filled with '0' for resolutions lower than 20 bit and 16 bit, respectively.

Reg 0A <sub>HEX</sub>	Bit[7:0]	Blue diode data least significant data byte
Reg 0B <sub>HEX</sub>	Bit[7:0]	Blue diode data middle data byte
Reg 0C <sub>HEX</sub>	Bit[3:0]	Blue diode data most significant data byte

### 8.2.7 LS\_RED\_DATA

Address	0D <sub>HEX</sub> , 0E <sub>HEX</sub> , and 0F <sub>HEX</sub>
Default value	00 <sub>HEX</sub> , 00 <sub>HEX</sub> , and 00 <sub>HEX</sub>
Register access	R

Bit	7	6	5	4	3	2	1	0
0D <sub>HEX</sub>	LS_RED_DATA_0							
0E <sub>HEX</sub>	LS_RED_DATA_1							
0F <sub>HEX</sub>	0	0	0	0	LS_RED_DATA_2			

Light sensor Red channel digital output data:

The LS conversion results are automatically compensated by the value of *COMP\_DATA*:

$$LS\_RED\_DATA = (LS\_RED_{int} - COMP\_DATA)$$

*LS\_RED<sub>int</sub>* is the internal raw value obtained from the Red LS ADC. If *LS\_RED<sub>int</sub>* is already full-scale then the value of *LS\_RED\_DATA* is set to its maximum value without subtracting *COMP\_DATA*.

*LS\_RED\_DATA* is clipped at  $(2^{Resolution} - 1)$  and always written as unsigned integer values LSB-aligned into the *LS\_RED\_DATA* registers, regardless of the resolution selected in the *LS\_RES\_PERIOD* register. *LS\_RED\_DATA\_2* and *LS\_RED\_DATA\_1* are filled with '0' for resolutions lower than 20 bit and 16 bit, respectively.

Reg 0D <sub>HEX</sub>	Bit[7:0]	Red diode data least significant data byte
Reg 0E <sub>HEX</sub>	Bit[7:0]	Red diode data middle data byte
Reg 0F <sub>HEX</sub>	Bit[3:0]	Red diode data most significant data byte

8.2.8 COMP\_DATA

Address 10<sub>HEX</sub> and 11<sub>HEX</sub> and 12<sub>HEX</sub>  
 Default value 00<sub>HEX</sub> and 00<sub>HEX</sub> and 00<sub>HEX</sub>  
 Register access R

Bit	7	6	5	4	3	2	1	0
10 <sub>HEX</sub>	COMP_DATA_0							
11 <sub>HEX</sub>	COMP_DATA_1							
12 <sub>HEX</sub>	0	0	0	0	COMP_DATA_2			

Light sensor temperature compensation (Comp) channel digital output data:

COMP\_DATA is clipped at  $(2^{\text{Resolution}} - 1)$  and always written as unsigned integer values LSB-aligned into the COMP\_DATA registers, regardless of the resolution selected in the LS\_RES\_PERIOD register. COMP\_DATA\_2 and COMP\_DATA\_1 are filled with '0' for lower resolutions than 20 bit and 16 bit, respectively.

Reg 10 <sub>HEX</sub>	Bit[7:0]	Temperature compensation channel least significant data byte
Reg 11 <sub>HEX</sub>	Bit[7:0]	Temperature compensation channel middle data byte
Reg 12 <sub>HEX</sub>	Bit[3:0]	Temperature compensation channel most significant data byte

8.2.9 MAIN\_CTRL\_0

Address 15<sub>HEX</sub>  
 Default value 00<sub>HEX</sub>  
 Register access R/W

Bit	7	6	5	4	3	2	1	0
15 <sub>HEX</sub>	SW reset	0	0	0	SAI_LS	0	LS_MODE	LS_EN

Note: Bits shown as '0' or '1' must be programmed as shown

Bit[7] *Software reset:*  
 0 No software reset triggered (**default**).  
 1 A software reset will be triggered immediately, and therefore the I2C bus command is NOT answered with "ACK." The part is operational after a typical delay of 10ms. However, the power-on reset bit in *STATUS\_0* is NOT set.

Bit[3] *Sleep after interrupt for LS:*  
 This bit reacts on the "LS interrupt status" bit in the *STATUS\_0* register.  
 0 The light sensor will stay active after an interrupt occurs (**default**).  
 1 The light sensor will return to standby (LS\_EN will be cleared when the measurement is finished and the *STATUS\_0* register is read) after an interrupt occurs. After *STATUS\_0* is read, the sensor is re-enabled.

Bit[1] *Light sensor mode:*  
 This bit is only checked if *LS\_EN* is active.  
 0 LS Mode (Green, Clear and Comp) channels activated (**default**).  
 1 CS Mode: All light sensor channels activated (Red, Green, Blue, Clear, and Comp).

Bit[0] *Light sensor enable:*  
 0 Light sensor inactive (**default**).  
 1 Light sensor active.

8.2.10 MAIN\_CTRL\_1

Address 16<sub>HEX</sub>  
 Default value 00<sub>HEX</sub>  
 Register access R/W

Bit	7	6	5	4	3	2	1	0
16 <sub>HEX</sub>	0	0	0	0	SAI_PS	PPG_PS_MODE		PPG_PS_EN

Note: Bits shown as '0' or '1' must be programmed as shown.

Bit[3] *Sleep after interrupt for PS:*  
 This bit reacts on the "PS interrupt status" bit in the *STATUS\_1* register.

0 The proximity sensor will stay active after an interrupt occurs (**default**).

1 The proximity sensor will return to standby (*PPG\_PS\_EN* will be cleared when the measurement is finished and the *STATUS\_1* register is read) after an interrupt occurs.

Bit[2:1] *PPG proximity mode*

00<sub>BIN</sub> PS Mode (**default**)

01<sub>BIN</sub> PPG1 Mode. Measures PPG with IR LED (LED1 pin) unless the *LED\_Flip* bit in the *PPG\_PS\_CFG* is set, in which case the red LED (LED2 pin) is used.

10<sub>BIN</sub> PPG2 Mode. Measures PPG with IR and red light interleaved. The first samples are with IR, the second samples with red, and then the pattern repeats, filling in alternate slots in the FIFO. If the *LED\_Flip* bit (see section 8.2.27) is set the order is reversed.

11<sub>BIN</sub> Reserved.

Bit[0] *PPG or proximity sensor enable:*

0 PPG/PS inactive (**default**).

1 PPG/PS active.

### 8.2.11 PS\_LED\_CURR

Address            17<sub>HEX</sub> and 18<sub>HEX</sub>  
 Default value    FF<sub>HEX</sub> and 01<sub>HEX</sub>  
 Register access   R/W

Bit	7	6	5	4	3	2	1	0
17 <sub>HEX</sub>	PS_LED_CURR_0							
18 <sub>HEX</sub>	0	0	0	0	0	0	PS_LED_CURR_1	

Note: Bits shown as '0' or '1' must be programmed as shown.

*PS LED current:*

The PS LED current is adjustable in 1024 steps between 0 and 250mA nominal.

BIN Code	HEX Code	State
000000000 <sub>BIN</sub>	000 <sub>HEX</sub>	LED off (0mA)
000000001 <sub>BIN</sub>	001 <sub>HEX</sub>	LED pulsed nominal current level = 0.24mA
000000010 <sub>BIN</sub>	002 <sub>HEX</sub>	LED pulsed nominal current level = 0.49mA
...	...	...
011111111 <sub>BIN</sub>	1FF <sub>HEX</sub>	LED pulsed nominal current level = 125mA (default)
...	...	...
111111111 <sub>BIN</sub>	3FF <sub>HEX</sub>	LED pulsed nominal current level = 250mA

Reg 17<sub>HEX</sub>    Bit[7:0]    PS LED current least significant data byte, bit 0 is the LSB of the data word  
 Reg 18<sub>HEX</sub>    Bit[1:0]    PS LED current most significant data byte, bit 1 is MSB

Note: Writing to this register resets the PS state machine and starts new measurements.



### 8.2.12 PS\_CAN\_PULSES

Address            19<sub>HEX</sub>  
 Default value     1A<sub>HEX</sub>  
 Register access   R/W

Bit	7	6	5	4	3	2	1	0
19 <sub>HEX</sub>	0	PS_CAN_ANA	Number_of_LED_pulses			0	1	0

Note: Bits shown as '0' or '1' must be programmed as shown.

Bit[6]            *PS analog cancellation level:*  
*PS\_CAN\_ANA* determines the amount of analog photocurrent cancellation that is applied during the integration phase of the PS measurement. The PS analog cancellation level is expected to be written by the MCU during system startup.

0 <sub>BIN</sub>	No offset cancellation ( <b>default</b> )
1 <sub>BIN</sub>	50% offset of the full scale value

Bit[5:3]           *Number\_of\_LED\_pulses in each PS measurement:*  
 This register controls the number of emitted PS LED pulses (1 to 32).  
 For example, for the pulse width of 42µs, the number of emitted LED pulses is limited to 16 at the pulse period of 3.125ms. For the pulse width of 71µs the number of emitted LED pulses is limited to 8 at the pulse period of 3.125, and 16 at the pulse period of 6.25ms.  
 The number of LED pulses influences the measurement resolution; see Table 13.

000 <sub>BIN</sub>	1 pulse
001 <sub>BIN</sub>	2 pulses
010 <sub>BIN</sub>	4 pulses
011 <sub>BIN</sub>	8 pulses ( <b>default</b> )
100 <sub>BIN</sub>	16 pulses
101 <sub>BIN</sub>	32 pulses
110 <sub>BIN</sub>	32 pulses
111 <sub>BIN</sub>	32 pulses

Note: Writing to this register resets the PS state machine and starts new measurements.

### 8.2.13 PS\_PWIDTH\_PERIOD

Address            1A<sub>HEX</sub>  
 Default value    15<sub>HEX</sub>  
 Register access   R/W

Bit	7	6	5	4	3	2	1	0
1A <sub>HEX</sub>	0	0	PS_pulse_width		0	PS_measurement_period		

Note: Bits shown as '0' or '1' must be programmed as shown.

Bit[5:4]           *P\_pulse\_width:*  
 This is the duration of each LED pulse in the PS measurement. The pulse width affects the measurement time and together with the number of LED pulses, it affects the measurement resolution; see Table 13.

00 <sub>BIN</sub>	26µs
01 <sub>BIN</sub>	42µs (default)
10 <sub>BIN</sub>	71µs
11 <sub>BIN</sub>	Reserved

Bit[2:0]           *PS\_measurement\_period:*  
 This is the nominal time between PS measurements.

000 <sub>BIN</sub>	3.125ms
001 <sub>BIN</sub>	6.25ms
010 <sub>BIN</sub>	12.5ms
011 <sub>BIN</sub>	25ms
100 <sub>BIN</sub>	50ms
101 <sub>BIN</sub>	100ms (default)
110 <sub>BIN</sub>	200ms
111 <sub>BIN</sub>	400ms

Note: Writing to this register resets the PS state machine and starts new measurements.

Table 13. PS Measurement Output Resolution

Pulse Width in µs	Number of Pulses					
	1	2	4	8	16	32
26	10 bit	11 bit	12 bit	13 bit	14 bit	15 bit
42	12 bit	13 bit	14 bit	15 bit	16 bit	16 bit
71	14 bit	15 bit	16 bit	16 bit	16 bit	16 bit

8.2.14 PS\_CAN\_DIG

Address                1B<sub>HEX</sub> and 1C<sub>HEX</sub>  
 Default value        00<sub>HEX</sub> and 00<sub>HEX</sub>  
 Register access      R/W

Bit	7	6	5	4	3	2	1	0
1B <sub>HEX</sub>	PS_CAN_DIG_0							
1C <sub>HEX</sub>	PS_CAN_DIG_1							

*PS digital cancellation level:*

The digital cancellation value is subtracted from the measured PS data before the data is transferred to the *PS\_DATA* registers and compared with the Interrupt thresholds. The PS digital cancellation level is expected to be written by the MCU host controller.

Reg 1B<sub>HEX</sub>    Bit[7:0]        PS digital cancellation level least significant data byte; bit 0 is the LSB of the data word.  
 Reg 1C<sub>HEX</sub>    Bit[7:0]        PS digital cancellation level most significant data byte; bit 7 is the MSB.

Note: Writing to this register resets the PS state machine and starts new measurements.

8.2.15 PS\_MOV\_AVG\_HYS

Address 1D<sub>HEX</sub>  
 Default value 00<sub>HEX</sub>  
 Register access R/W

Bit	7	6	5	4	3	2	1	0
1D <sub>HEX</sub>	PS_moving_average_enable	PS_hysteresis_level						

Bit[7] *PS\_moving\_average\_enable*:  
 If set, the *PS\_DATA* is the average of the current and previous measurement. The moving average is applied after digital offset cancellation.

0 PS moving average not applied (**default**).  
 1 PS moving average applied.

Bit[6:0] *PS\_hysteresis\_threshold*:  
 PS hysteresis mode tracks and holds the peak PS count level when objects are approaching, and it tracks and holds the baseline level when objects are moving away from the sensor. This may be useful for capturing baseline or peak signal levels for determining thresholds when the controller might not be polling fast enough to capture every measurement. It also has the effect of reducing data variation as PS count fluctuations within the specified hysteresis are masked.

When the PS hysteresis level is set to a value larger than 00<sub>HEX</sub>, the *PS\_DATA* register displays the highest recorded PS count measurement (peak track and hold). When a signal arrives that is smaller than the peak signal minus the programmed hysteresis, *PS\_DATA* switches to track and hold the lowest PS count measurement (baseline). Similarly, in baseline tracking mode, when a PS measurement is greater than the baseline plus the hysteresis, the *PS\_DATA* switches to track and hold the subsequent peak values.

BIN Code	HEX Code	Value
0000000 <sub>BIN</sub>	00 <sub>HEX</sub>	0 (no hysteresis function applied) ( <b>default</b> )
0000001 <sub>BIN</sub>	01 <sub>HEX</sub>	2
0000010 <sub>BIN</sub>	02 <sub>HEX</sub>	4
...	...	...
1111110 <sub>BIN</sub>	7E <sub>HEX</sub>	252
1111111 <sub>BIN</sub>	7F <sub>HEX</sub>	254

Note: Writing to this register resets the PS state machine and starts new measurements.

### 8.2.16 PS\_THRES\_UP

Address                1E<sub>HEX</sub> and 1F<sub>HEX</sub>  
 Default value        FF<sub>HEX</sub> and FF<sub>HEX</sub>  
 Register access      R/W

Bit	7	6	5	4	3	2	1	0
1E <sub>HEX</sub>	PS_THRES_UP_0							
1F <sub>HEX</sub>	PS_THRES_UP_1							

*PS\_THRES\_UP* sets the upper threshold value for the PS interrupt. The Interrupt Controller compares the value in *PS\_THRES\_UP* against the measured data in the *PS\_DATA* registers. It generates an interrupt event if *PS\_DATA* exceeds the upper threshold level.

The data format for *PS\_THRES\_UP* matches that of the *PS\_DATA* registers.

Reg 1E<sub>HEX</sub>      Bit[7:0]            Upper threshold of PS interrupt least significant data byte; bit 0 is the LSB of the data word.

Reg 1F<sub>HEX</sub>      Bit[7:0]            Upper threshold of PS interrupt most significant data byte; bit 7 is MSB.

Note: Writing to this register resets the PS state machine and starts new measurements.

### 8.2.17 PS\_THRES\_LOW

Address                20<sub>HEX</sub> and 21<sub>HEX</sub>  
 Default value        00<sub>HEX</sub> and 00<sub>HEX</sub>  
 Register access      R/W

Bit	7	6	5	4	3	2	1	0
20 <sub>HEX</sub>	PS_THRES_LOW_0							
21 <sub>HEX</sub>	PS_THRES_LOW_1							

*PS\_THRES\_LOW* sets the lower threshold value for the PS interrupt. The Interrupt Controller compares the value in *PS\_THRES\_LOW* against measured data in the *PS\_DATA* registers. It generates an interrupt event if *PS\_DATA* is lower than the lower threshold level.

The data format for *PS\_THRES\_LOW* matches that of the *PS\_DATA* registers.

Reg 20<sub>HEX</sub>      Bit[7:0]            Upper threshold of PS interrupt least significant data byte; bit 0 is the LSB of the data word.

Reg 21<sub>HEX</sub>      Bit[7:0]            Upper threshold of PS interrupt most significant data byte; bit 7 is the MSB.

Note: Writing to this register resets the PS state machine and starts new measurements.

8.2.18 LS\_RES\_PERIOD

Address            22<sub>HEX</sub>  
 Default value    22<sub>HEX</sub>  
 Register access   R/W

Bit	7	6	5	4	3	2	1	0
22 <sub>HEX</sub>	0	LS_Resolution			0	LS_Measurement_Period		

Note: Bits shown as '0' or '1' must be programmed as shown.

Bit[6:4]            *LS\_Resolution:*  
 The resolution sets the measurement time and the precision of the measurement.

000 <sub>BIN</sub>	20 bit, 400ms
001 <sub>BIN</sub>	19 bit, 200ms
010 <sub>BIN</sub>	18 bit, 100ms <b>(default)</b>
011 <sub>BIN</sub>	17 bit, 50ms
100 <sub>BIN</sub>	16 bit, 25ms
101 <sub>BIN</sub>	13 bit, 3.125ms
110 <sub>BIN</sub>	Reserved
111 <sub>BIN</sub>	Reserved

Bit[2:0]            *LS\_Measurement\_Period:*  
 This register controls the timing between LS measurements.

000 <sub>BIN</sub>	25ms
001 <sub>BIN</sub>	50ms
010 <sub>BIN</sub>	100ms <b>(default)</b>
011 <sub>BIN</sub>	200ms
100 <sub>BIN</sub>	500ms
101 <sub>BIN</sub>	1000ms
110 <sub>BIN</sub>	2000ms
111 <sub>BIN</sub>	2000ms

Note: When the measurement period is programmed to be shorter than possible for the specified ADC measurement time, the period will be longer than programmed (maximum speed).

Note: Writing to this register resets the LS state machine and starts new measurements.

8.2.19 LS\_GAIN

Address            23<sub>HEX</sub>  
 Default value    01<sub>HEX</sub>  
 Register access   R/W

Bit	7	6	5	4	3	2	1	0
23 <sub>HEX</sub>	0	0	0	0	0	0	LS_gain_range	

Notes: Bits shown as '0' or '1' must be programmed as shown.

Note: The following LS detection ranges apply to the default resolution of 18-bit (measurement time = 100ms); see Table 7 for details. All channels of the Light Sensor run on the same range setting. Sensitivity settings correlate between the channels as shown in Table 7.

Bit[1:0]	<i>LS / Green Channel detection range:</i>		
00 <sub>BIN</sub>	Gain Mode 1	6L <sub>Xmin</sub>	to L <sub>Xmax</sub>
01 <sub>BIN</sub>	Gain Mode 3 ( <b>default</b> )	2L <sub>Xmin</sub>	to L <sub>Xmax</sub> / 3
10 <sub>BIN</sub>	Gain Mode 6	L <sub>Xmin</sub>	to L <sub>Xmax</sub> / 6

L<sub>Xmin</sub>: smallest detectable lux level, depending on type of light source.

L<sub>Xmax</sub>: largest detectable lux level, depending on type of light source.

Note: Writing to this register resets the LS state machine and starts new measurements.

8.2.20 LS\_THRES\_UP

Address                24<sub>HEX</sub>, 25<sub>HEX</sub>, and 26<sub>HEX</sub>  
 Default value        FF<sub>HEX</sub>, FF<sub>HEX</sub>, and 0F<sub>HEX</sub>  
 Register access      R/W

Bit	7	6	5	4	3	2	1	0
24 <sub>HEX</sub>	LS_THRES_UP_0							
25 <sub>HEX</sub>	LS_THRES_UP_1							
26 <sub>HEX</sub>	0	0	0	0	LS_THRES_UP_2			

Note: Bits shown as '0' or '1' must be programmed as shown.

*LS\_THRES\_UP* sets the upper threshold value for the LS interrupt. The Interrupt Controller compares the value in *LS\_THRES\_UP* against measured data in the \*\_*DATA* registers of the selected LS interrupt channel. It generates an interrupt event if \*\_*DATA* exceeds the threshold level.

The data format for *LS\_THRES\_UP* matches that of the \*\_*DATA* registers.

Reg 24 <sub>HEX</sub>	Bit[7:0]	LS upper interrupt threshold value, LSB
Reg 25 <sub>HEX</sub>	Bit[7:0]	LS upper interrupt threshold value, middle byte
Reg 26 <sub>HEX</sub>	Bit[3:0]	LS upper interrupt threshold value, MSB

Note: Writing to this register resets the LS state machine and starts new measurements.



8.2.21 LS\_THRES\_LOW

Address 27<sub>HEX</sub>, 28<sub>HEX</sub>, and 29<sub>HEX</sub>  
 Default value 00<sub>HEX</sub>, 00<sub>HEX</sub>, and 00<sub>HEX</sub>  
 Register access R/W

Bit	7	6	5	4	3	2	1	0
27 <sub>HEX</sub>	LS_THRES_LOW_0							
28 <sub>HEX</sub>	LS_THRES_LOW_1							
29 <sub>HEX</sub>	0	0	0	0	LS_THRES_LOW_2			

Note: Bits shown as '0' or '1' must be programmed as shown.

*LS\_THRES\_LOW* sets the lower threshold value for the LS interrupt. The Interrupt Controller compares the value in *LS\_THRES\_LOW* against measured data in the \*\_*DATA* registers of the selected LS interrupt channel. It generates an interrupt event if \*\_*DATA* is below the threshold level.

The data format for *LS\_THRES\_LOW* matches that of the \*\_*DATA* registers.

Reg 27 <sub>HEX</sub>	Bit[7:0]	LS lower interrupt threshold value, LSB
Reg 28 <sub>HEX</sub>	Bit[7:0]	LS lower interrupt threshold value, middle byte
Reg 29 <sub>HEX</sub>	Bit[3:0]	LS lower interrupt threshold value, MSB

Note: Writing to this register resets the LS state machine and starts new measurements.

8.2.22 LS\_THRES\_VAR

Address                2A<sub>HEX</sub>  
 Default value        00<sub>HEX</sub>  
 Register access      R/W

Bit	7	6	5	4	3	2	1	0
2A <sub>HEX</sub>	0	0	0	0	0	LS_THRES_VAR		

Note: Bits shown as '0' or '1' must be programmed as shown.

Bit[2:1]                *LS variance threshold:*  
 See section 7.6.1 for further details.

Code	Interrupt generated when...
000 <sub>BIN</sub>	New LS_DATA varies by ± <b>8 counts</b> compared to previous result.
001 <sub>BIN</sub>	New LS_DATA varies by ± <b>16 counts</b> compared to previous result.
010 <sub>BIN</sub>	New LS_DATA varies by ± <b>32 counts</b> compared to previous result.
011 <sub>BIN</sub>	New LS_DATA varies by ± <b>64 counts</b> compared to previous result.
100 <sub>BIN</sub>	New LS_DATA varies by ± <b>128 counts</b> compared to previous result.
101 <sub>BIN</sub>	New LS_DATA varies by ± <b>256 counts</b> compared to previous result.
110 <sub>BIN</sub>	New LS_DATA varies by ± <b>512 counts</b> compared to previous result.
111 <sub>BIN</sub>	New LS_DATA varies by ± <b>1024 counts</b> compared to previous result.

Note: Writing to this register resets the LS state machine and starts new measurements.

8.2.23 INT\_CFG\_0

Address            2B<sub>HEX</sub>  
 Default value    10<sub>HEX</sub>  
 Register access   R/W

Bit	7	6	5	4	3	2	1	0
2B <sub>HEX</sub>	0	0	LS_INT_SEL		0	0	LS_VAR_MODE	LS_INT_EN

Note: Bits shown as '0' or '1' must be programmed as shown.

- Bit[5:4]            *Light sensor interrupt source select:*
- 00<sub>BIN</sub>            Clear channel
  - 01<sub>BIN</sub>            LS / Green channel **(default)**
  - 10<sub>BIN</sub>            Red channel
  - 11<sub>BIN</sub>            Blue channel
- Bit[1]            *Light sensor variation interrupt mode:*
- 0                LS Threshold Interrupt Mode **(default)**
  - 1                LS Variation Interrupt Mode
- Bit[0]            *Light sensor interrupt enable:*
- 0                LS interrupt output pin disabled **(default)**
  - 1                LS interrupt output pin enabled

8.2.24 INT\_CFG\_1

Address 2C<sub>HEX</sub>  
 Default value 00<sub>HEX</sub>  
 Register access R/W

Bit	7	6	5	4	3	2	1	0
2C <sub>HEX</sub>	0	0	A_FULL_INT_EN	PPG_INT_EN	0	0	PS_LOGIC_MODE	PS_INT_EN

Note: Bits shown as '0' or '1' must be programmed as shown.

- Bit[5] *FIFO almost full interrupt enable:*
  - 0 FIFO almost full interrupt disabled (**default**).
  - 1 FIFO almost full interrupt enabled.
- Bit[4] *PPG data interrupt enable:*
  - 0 PPG data interrupt disabled (**default**).
  - 1 PPG data interrupt enabled.
- Bit[1] *Proximity sensor logic output mode:*
  - 0 Normal interrupt function: After an interrupt event, the INT pin maintains an active level until the *STATUS\_1* register is read (**default**).
  - 1 PS Logic Output Mode: The INT pin is updated after every measurement and maintains an output state between measurements. This disables all other interrupts.
- Bit[0] *Proximity sensor interrupt enable:*
  - 0 PS interrupt pin output disabled (**default**).
  - 1 PS interrupt pin output enabled.

### 8.2.25 INT\_PST

Address            2D<sub>HEX</sub>  
 Default value    00<sub>HEX</sub>  
 Register access   R/W

Bit	7	6	5	4	3	2	1	0
2D <sub>HEX</sub>	LS_PERSIST				PS_PERSIST			

Bit[7:4]            These bits set the number of similar consecutive LS interrupt events that must occur before the interrupt is asserted.

0000 <sub>BIN</sub>	Every LS value that is out of the threshold range ( <b>default</b> ) asserts an interrupt.
0001 <sub>BIN</sub>	2 consecutive LS values that are out of the threshold range assert an interrupt.
...	
1111 <sub>BIN</sub>	16 consecutive LS values that are out of the threshold range assert an interrupt.

Bit[3:0]            These bits set the number of similar consecutive PS interrupt events that must occur before the interrupt is asserted.

0000 <sub>BIN</sub>	Every PS value that is out of the threshold range ( <b>default</b> ) asserts an interrupt.
0001 <sub>BIN</sub>	2 consecutive PS values that are out of the threshold range assert an interrupt.
...	
1111 <sub>BIN</sub>	16 consecutive PS values that are out of the threshold range assert an interrupt.

### 8.2.26 PPG\_PS\_GAIN

Address            2E<sub>HEX</sub>  
 Default value    09<sub>HEX</sub>  
 Register access   R/W

Bit	7	6	5	4	3	2	1	0
2E <sub>HEX</sub>	0	0	PPG/PS_gain_range		1	0	0	1

Note: Bits shown as '0' or '1' must be programmed as shown.

Bit[5:4]            *PPG/PS\_gain\_range*:  
 Gain scales the ADC output and noise.

00 <sub>BIN</sub>	Gain Mode 1 ( <b>default</b> )
01 <sub>BIN</sub>	Gain Mode 1.5
10 <sub>BIN</sub>	Gain Mode 2
11 <sub>BIN</sub>	Gain Mode 4

8.2.27 PPG\_PS\_CFG

Address 2F<sub>HEX</sub>  
 Default value 40<sub>HEX</sub>  
 Register access R/W

Bit	7	6	5	4	3	2	1	0
2F <sub>HEX</sub>	0	PPG_POW_SAVE	0	0	LED_FLIP	0	0	0

Note: Bits shown as '0' or '1' must be programmed as shown.

Bit[6] *PPG power save mode:*  
 On Power Save Mode, some analog circuitry powers down between individual PPG measurements if the idle time  $t_{PPG\_idle} \geq 50\mu s$ .

- 0 Power save mode disabled
- 1 Power save mode enabled (**default**)

Bit[3] *LED\_flip:*  
 Controls which LED is activated (PS, PPG1) or in which order the LEDs are activated (PPG2)

- 0 Standard LED operation: PS, PPG1 and the first PPG2 sample will be measured with IR LED (LED1 pin) and second PPG2 sample with Red LED (LED2 pin) (**default**).
- 1 LEDs are flipped. PS, PPG1 and the first PPG2 sample will be measured with red LED source and second PPG2 sample with IR LED source.

### 8.2.28 PPG\_IRLED\_CURR

Address                30<sub>HEX</sub> and 31<sub>HEX</sub>  
 Default value        00<sub>HEX</sub> and 00<sub>HEX</sub>  
 Register access      R/W

Bit	7	6	5	4	3	2	1	0
30 <sub>HEX</sub>	PPG_IRLED_CURR_0							
31 <sub>HEX</sub>	0	0	0	0	0	0	PPG_IRLED_CURR_1	

Bits shown as '0' or '1' must be programmed as shown.

Reg 30<sub>HEX</sub>      Bit[7:0]            PPG IR LED current least significant data byte; bit 0 is the LSB of the data word.  
 Reg 31<sub>HEX</sub>      Bit[1:0]            PPG IR LED current most significant data byte; bit 1 is MSB.

*PPG IR LED current:*

The PPG IR LED (LED1 pin) current is adjustable in 1024 steps between 0 and nominal 250mA.

BIN Code	HEX Code	State
000000000 <sub>BIN</sub>	000 <sub>HEX</sub>	LED off (0mA) <b>(default)</b>
000000001 <sub>BIN</sub>	001 <sub>HEX</sub>	LED nominal pulsed current level = 0.24mA
000000010 <sub>BIN</sub>	002 <sub>HEX</sub>	LED nominal pulsed current level = 0.49mA
...	...	...
011111111 <sub>BIN</sub>	1FF <sub>HEX</sub>	LED nominal pulsed current level = 125mA
...	...	...
111111111 <sub>BIN</sub>	3FF <sub>HEX</sub>	LED nominal pulsed current level = 250mA

### 8.2.29 PPG\_RLED\_CURR

Address            32<sub>HEX</sub> and 33<sub>HEX</sub>  
 Default value    00<sub>HEX</sub> and 00<sub>HEX</sub>  
 Register access   R/W

Bit	7	6	5	4	3	2	1	0
32 <sub>HEX</sub>	PPG_RLED_CURR_0							
33 <sub>HEX</sub>	0	0	0	0	0	0	0	PPG_RLED_CURR_1

Note: Bits shown as '0' or '1' must be programmed as shown.

Reg 32<sub>HEX</sub>    Bit[7:0]        PPG Red LED current least significant data byte; bit 0 is the LSB of the data word.  
 Reg 33<sub>HEX</sub>    Bit[0]                PPG Red LED current most significant data bit; bit 0 is the MSB.

*PPG Red LED current:*

The PPG Red LED current is adjustable in 512 steps between 0 and nominal 125mA.

BIN Code	HEX Code	State
00000000 <sub>BIN</sub>	000 <sub>HEX</sub>	LED off (0mA) (default)
00000001 <sub>BIN</sub>	001 <sub>HEX</sub>	LED nominal pulsed current level = 0.24mA
00000010 <sub>BIN</sub>	002 <sub>HEX</sub>	LED nominal pulsed current level = 0.49mA
...	...	...
11111110 <sub>BIN</sub>	1FE <sub>HEX</sub>	LED nominal pulsed current level = 124.76mA
11111111 <sub>BIN</sub>	1FF <sub>HEX</sub>	LED nominal pulsed current level = 125mA



8.2.30 PPG\_CAN\_ANA

Address 34<sub>HEX</sub>  
 Default value 00<sub>HEX</sub>  
 Register access R/W

Bit	7	6	5	4	3	2	1	0
34 <sub>HEX</sub>	0	0	0	0	0	PPG_CH1_CAN_ANA	0	PPG_CH2_CAN_ANA

Note: Bits shown as '0' or '1' must be programmed as shown.

Bit[2] *PPG analog cancellation level for LED1:*  
*PPG\_CH1\_CAN\_ANA* determines the amount of the cancellation that is applied during the integration phase of the PPG measurement with the IR LED (LED1 pin). The following offsets apply in respect to the full-scale value of the FIFO data.

0 <sub>BIN</sub>	No offset cancellation <b>(default)</b>
1 <sub>BIN</sub>	50% offset of the full-scale value

Bit[0] *PPG analog cancellation level for LED2:*  
*PPG\_CH2\_CAN\_ANA* determines the amount of the cancellation that is applied during the integration phase of the PPG measurement with the Red LED (LED2 pin). The following offsets apply in respect to the full-scale value of the FIFO data.

0 <sub>BIN</sub>	No offset cancellation <b>(default)</b>
1 <sub>BIN</sub>	50% offset of the full-scale value

8.2.31 PPG\_AVG

Address            35<sub>HEX</sub>  
 Default value    0A<sub>HEX</sub>  
 Register access   R/W

Bit	7	6	5	4	3	2	1	0
35 <sub>HEX</sub>	0	PPG_AVG			1	0	1	0

Note: Bits shown as '0' or '1' must be programmed as shown.

Bit[6:4]

*Number of averaged PPG samples:*

Before PPG samples are written to the FIFO, an averaging function can be applied to increase accuracy and reduce the data rate. The number of averaged PPG samples influences the measurement resolution; see Table 14. For example, averaging 16 samples reduces the data rate by a factor of 16.

000 <sub>BIN</sub>	1 (no averaging) <b>(default)</b> .
001 <sub>BIN</sub>	2 consecutives samples are averaged.
010 <sub>BIN</sub>	4 consecutives samples are averaged.
011 <sub>BIN</sub>	8 consecutives samples are averaged.
100 <sub>BIN</sub>	16 consecutives samples are averaged.
101 <sub>BIN</sub>	32 consecutives samples are averaged.
110 <sub>BIN</sub>	32 consecutives samples are averaged.
111 <sub>BIN</sub>	32 consecutives samples are averaged.

8.2.32 PPG\_PWIDTH\_PERIOD

Address 36<sub>HEX</sub>  
 Default value 42<sub>HEX</sub>  
 Register access R/W

Bit	7	6	5	4	3	2	1	0
36 <sub>HEX</sub>	0	PPG_pulse_width			0	PPG_measurement_period		

Note: Bits shown as '0' or '1' must be programmed as shown.

Bit[6:4] *PPG\_pulse\_width:*

The pulse width will have an effect on the measurement time. The pulse width and the number of averaged PPG samples determine the measurement resolution (see Table 14). Table 15 and Table 16 show which combinations of PPG pulse width and measurement period are allowed.

000 <sub>BIN</sub>	Reserved
001 <sub>BIN</sub>	Reserved
010 <sub>BIN</sub>	65µs
011 <sub>BIN</sub>	130µs
100 <sub>BIN</sub>	247µs (default)
101 <sub>BIN</sub>	481µs
110 <sub>BIN</sub>	949µs
111 <sub>BIN</sub>	949µs

Bit[2:0] *PPG\_measurement\_period:*

For PPG1 one sample is measured during the measurement period. In PPG2 Mode, two samples are measured, one for each LED. Table 15 and Table 16 show which combinations of PPG pulse width and measurement period are allowed.

Code	Measurement Period
000 <sub>BIN</sub>	0.3125ms
001 <sub>BIN</sub>	0.625ms
010 <sub>BIN</sub>	1ms (default)
011 <sub>BIN</sub>	1.25ms
100 <sub>BIN</sub>	2.5ms
101 <sub>BIN</sub>	5ms
110 <sub>BIN</sub>	10ms
111 <sub>BIN</sub>	20ms

Table 14. PPG Measurement Output Resolution

Pulse Width in $\mu\text{s}$	Number of Averaged Samples					
	1	2	4	8	16	32
130	16 bit	17 bit	18 bit	18 bit	18 bit	18 bit
247	18 bit	18 bit	18 bit	18 bit	18 bit	18 bit
481	18 bit	18 bit	18 bit	18 bit	18 bit	18 bit
949	18 bit	18 bit	18 bit	18 bit	18 bit	18 bit

Table 15. PPG1 Mode Parameter

Measurement Period $t_{\text{PPG}}$ in ms	Pulse Width $t_{\text{PPG\_pw}}$ in $\mu\text{s}$			
	130	247	481	949
0.312 Register 36hex setting	✓ b: 0011 0000			
0.625 Register 36hex setting	✓ b: 0011 0001	✓ b: 0100 0001		
1 Register 36hex setting	✓ b: 0011 0010	✓ b: 0100 0010	✓ b: 0101 0010	
1.25 Register 36hex setting	✓ b: 0011 0011	✓ b: 0100 0011	✓ b: 0101 0011	
2.5 Register 36hex setting	✓ b: 0011 0100	✓ b: 0100 0100	✓ b: 0101 0100	✓ b: 0110 0100
5 Register 36hex setting	✓ b: 0011 0101	✓ b: 0100 0101	✓ b: 0101 0101	✓ b: 0110 0101
10 Register 36hex setting	✓ b: 0011 0110	✓ b: 0100 0110	✓ b: 0101 0110	✓ b: 0110 0110
20 Register 36hex setting	✓ b: 0011 0111	✓ b: 0100 0111	✓ b: 0101 0111	✓ b: 0110 0111

Table 16. PPG2 Mode Parameter

Measurement Period $t_{PPG}$ in ms	Pulse Width $t_{PPG\_pw}$ in $\mu s$			
	130	247	481	949
0.312				
0.625 Register 36hex setting	✓ b: 0011 0001			
1 Register 36hex setting	✓ b: 0011 0010	✓ b: 0100 0010		
1.25 Register 36hex setting	✓ b: 0011 0011	✓ b: 0100 0011		
2.5 Register 36hex setting	✓ b: 0011 0100	✓ b: 0100 0100	✓ b: 0101 0100	
5 Register 36hex setting	✓ b: 0011 0101	✓ b: 0100 0101	✓ b: 0101 0101	✓ b: 0110 0101
10 Register 36hex setting	✓ b: 0011 0110	✓ b: 0100 0110	✓ b: 0101 0110	✓ b: 0110 0110
20 Register 36hex setting	✓ b: 0011 0111	✓ b: 0100 0111	✓ b: 0101 0111	✓ b: 0110 0111

8.2.33 FIFO\_CFG

Address 37<sub>HEX</sub>  
 Default value 00<sub>HEX</sub>  
 Register access R/W

Bit	7	6	5	4	3	2	1	0
37 <sub>HEX</sub>	0	0	0	FIFO_ROLLOVER_EN	FIFO_A_FULL			

Note: Bits shown as '0' or '1' must be programmed as shown.

Bit[4] *FIFO Rollover Enable:*

0	In the event of a full FIFO, no more samples of PPG data are written into the FIFO; the samples from new measurements are lost. <b>(default)</b> .
1	New PPG data will always be written to the FIFO, and the FIFO Write Pointer is incremented (rollover). If the FIFO is full, old data will be overwritten. The FIFO Overflow Counter counts the number of lost (overwritten) and respectively the number of new samples. The FIFO Read Pointer remains unchanged.

Bit[3:0] *FIFO Almost Full Value:*

FIFO\_A\_FULL determines the number of empty FIFO words when the FIFO almost full interrupt is issued. In PPG2 Mode only even values of FIFO\_A\_FULL should be used. Larger values are useful for a controller with a longer latency.

Code	Number of Empty FIFO Words	Number of Unread PPG1 Samples	Number of Unread PPG2 Sample Pairs
0000 <sub>BIN</sub>	0 (FIFO is full) <b>(default)</b>	32 <b>(default)</b>	16 <b>(default)</b>
0001 <sub>BIN</sub>	1	31	–
0010 <sub>BIN</sub>	2	30	15
0011 <sub>BIN</sub>	3	29	–
...			
1110 <sub>BIN</sub>	14	18	9
1111 <sub>BIN</sub>	15	17	–

8.2.34 FIFO\_WR\_PTR

Address                38<sub>HEX</sub>  
 Default value        00<sub>HEX</sub>  
 Register access      R(W)

Bit	7	6	5	4	3	2	1	0
38 <sub>HEX</sub>	0	0	0	FIFO_WR_PTR				

Note: Bits shown as '0' or '1' must be programmed as shown.

Bit[4:0]

*FIFO Write Pointer:*

The FIFO write pointer contains the FIFO index where the next sample of PPG data will be written in the FIFO. After a sample is written into the corresponding FIFO register, the FIFO write pointer is automatically incremented. The FIFO write pointer should be reset to 0 before enabling measurements through *MAIN\_CTRL\_1*. Otherwise there is no defined state and the PPG data will be written to the FIFO at the current index of the FIFO write pointer. The FIFO write pointer should not be overwritten at other times to ensure consistent data.

00000 <sub>BIN</sub>	FIFO register index 00 <sub>DEC</sub>
00001 <sub>BIN</sub>	FIFO register index 01 <sub>DEC</sub>
...	...
11110 <sub>BIN</sub>	FIFO register index 30 <sub>DEC</sub>
11111 <sub>BIN</sub>	FIFO register index 31 <sub>DEC</sub>

### 8.2.35 FIFO\_RD\_PTR

Address            39<sub>HEX</sub>  
 Default value     00<sub>HEX</sub>  
 Register access   R/(W)

Bit	7	6	5	4	3	2	1	0
39 <sub>HEX</sub>	0	0	0	FIFO_RD_PTR				

Note: Bits shown as '0' or '1' must be programmed as shown.

Bit[4:0]            *FIFO Read Pointer:*  
 The FIFO read pointer contains the index of the next sample to be read from the *FIFO\_DATA* register (see section 8.2.37). After the 3-byte sample from the *FIFO\_DATA* register has been read, the FIFO read pointer is automatically incremented. The FIFO read pointer can be written to re-read a sample in the event of a communication error. It should always be reset to 0 before enabling measurements through the *MAIN\_CTRL\_1* register (see section 8.2.10).

00000 <sub>BIN</sub>	FIFO register index 00 <sub>DEC</sub>
00001 <sub>BIN</sub>	FIFO register index 01 <sub>DEC</sub>
...	...
11110 <sub>BIN</sub>	FIFO register index 30 <sub>DEC</sub>
11111 <sub>BIN</sub>	FIFO register index 31 <sub>DEC</sub>

### 8.2.36 FIFO\_OVF\_CNT

Address            3A<sub>HEX</sub>  
 Default value     00<sub>HEX</sub>  
 Register access   R/(W)

Bit	7	6	5	4	3	2	1	0
3A <sub>HEX</sub>	0	0	0	0	FIFO_OVF_CNT			

Note: Bits shown as '0' or '1' must be programmed as shown.

Bit[3:0]            *FIFO Overflow Counter:*  
 If the FIFO Rollover Enable bit is set, the FIFO overflow counter counts the number of old samples (up to 15) which are overwritten by new data. The FIFO overflow counter should always be reset to 0 before enabling measurements through the *MAIN\_CTRL\_1* register (see section 8.2.10).



8.2.37 FIFO\_DATA

Address	3B <sub>HEX</sub>
Default value	00 <sub>HEX</sub>
Register access	R

Bit	7	6	5	4	3	2	1	0
3B <sub>HEX</sub>	FIFO_DATA							

*FIFO Data:*

FIFO\_DATA contains the data at the index value of the FIFO read pointer. Reading the *FIFO\_DATA* register does not increment the I2C register address. A block read from this register reads this address again and again. However the *FIFO\_RD\_PTR* register (see section 8.2.35) is incremented after reading a sample of 3 bytes (block read). For example, the entire FIFO can be read out by a block read of 96 bytes. The PPG conversion result is written MSB-aligned into the FIFO. The result must always be treated as 18-bit value regardless of the measurement resolution resulting from the pulse width setting selected in the *PPG\_PWIDTH\_PERIOD* register (see section 8.2.32). One PPG sample can be read like this:

1st read byte FIFO_DATA	Bit[7:0]	PPG measurement least significant data byte; bit 0 is always the LSB of the data word.
2nd read byte FIFO_DATA	Bit[7:0]	PPG measurement middle data byte.
3rd read byte FIFO_DATA	Bit[1:0]	PPG measurement most significant data byte; bit 1 is always the MSB of the data word.

### 8.2.38 PART\_ID

Address            3D<sub>HEX</sub>  
 Default value    00<sub>HEX</sub>  
 Register access   R

Bit	7	6	5	4	3	2	1	0
3D <sub>HEX</sub>	Part_Number_ID							

Bit[7:0]           *Part\_Number\_ID*

### 8.2.39 DIG\_GAIN\_TRIM\_LED1 / LED2

Address            42<sub>HEX</sub> / 43<sub>HEX</sub>  
 Default value    (factory trimmed, set at power on)  
 Register access   R/W

Bit	7	6	5	4	3	2	1	0
3D <sub>HEX</sub>	LED1 / LED2 Digital gain trim factory setting							

Bit[7:0]           Digital gain trim to compensate for LED brightness variation.

The digital gain trim setting applies a digital scale factor to the output of the proximity and ppg sensor measurements. This scale factor is factor-set to achieve the proximity sensor accuracy specification. When using the OB1203 in biosensor mode with an autogain algorithm that controls the LED currents to achieve a desired PPG signal level, it is recommended to overwrite the power-on default values of registers 0x42 and 0x43 with value 0x00, which is unity (1x) gain. This ensures the output FIFO values run between 0 and 2<sup>18</sup>-1.

## 9. Package Outline Drawings

The [package outline drawings](#) are appended at the end of this document. The package information is the most current data available.

## 10. Reflow Profile

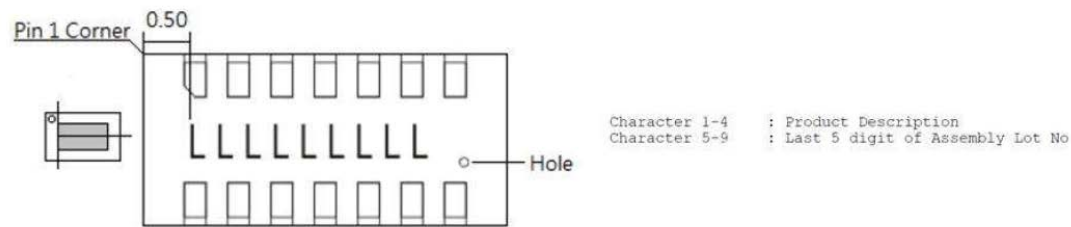
Table 17. Recommended Reflow Profile

Profile Feature	Sn-Pb Assembly	Pb-free Assembly
Average Ramp-up Rate ( $T_L$ to $T_P$ )	3°C/sec max	3°C/sec max
Preheat/Soak		
Minimum Temp ( $T_{Smin}$ )	100°C	150°C
Maximum Temp ( $T_{Smax}$ )	150°C	200°C
Time ( $t_s$ ) from ( $T_{Smin}$ to $T_{Smax}$ )	60-120 seconds	60-180 seconds
Time Maintained Above		
Temperature ( $T_L$ )	183°C	217°C
Time ( $t_L$ )	60-150 seconds	60-150 seconds
Peak Package Body Temperature ( $T_P$ )	$T_P$ must not exceed the classification temperature $T_c = 260^\circ\text{C}$ .	$T_P$ must not exceed the classification temperature $T_c = 260^\circ\text{C}$ .
Time within 5°C of Actual Peak Temperature ( $T_P$ )	20 seconds	30* seconds
Ramp-down Rate ( $T_P$ to $T_L$ )	6°C/sec maximum	6°C/sec maximum
Time Peak Temperature to 25°C	6 min maximum	8 min maximum

Refer to the JEDEC specification for an illustration of the reflow profile chart.

## 11. Marking Diagram: Bottom of Part Only

### Pin 1 notch



Height	Width	Space	Max Width	Max chars
↓	↔	↔	↔	
0.40 mm	0.23 mm	0.09 mm	2.79 mm	9

Product	Character 1-4
OB1203SD-C4 Z LJG14	1203

## 12. Ordering Information

Part Number	Description and Package	MSL Rating	Carrier Type	Temp. Range
OB1203SD-C4V	4.2 × 2.0 × 1.2 mm 14-OSIP	3	Tray	-40°C to +85°C
OB1203SD-C4R	4.2 × 2.0 × 1.2 mm 14-OSIP	3	Reel	-40°C to +85°C
OB1203LC-C4V	4.2 × 2.0 × 1.2 mm 14-OSIP	3	Tray	-40°C to +85°C
OB1203LC-C4R	4.2 × 2.0 × 1.2 mm 14-OSIP	3	Reel	-40°C to +85°C
US082-OB1203EVZ	OB1203SD sensor breakout board with PMOD connector interface			
US082-OB1203LCEVZ	OB1203LC sensor breakout board with PMOD connector interface			
OB120SD-RL2-EVK	OB1203 Health Sensor Evaluation Kit – PCB with programming and debug ports with low power RL78 microcontroller running demo algorithm and finger support, OLED display.			
OB1203SD-BT2-EVK	OB1203 Health Sensor Evaluation Kit – Bluetooth including OB1203 Sensor Board with Bluetooth Chip, Rechargeable Battery. Android app is downloadable.			

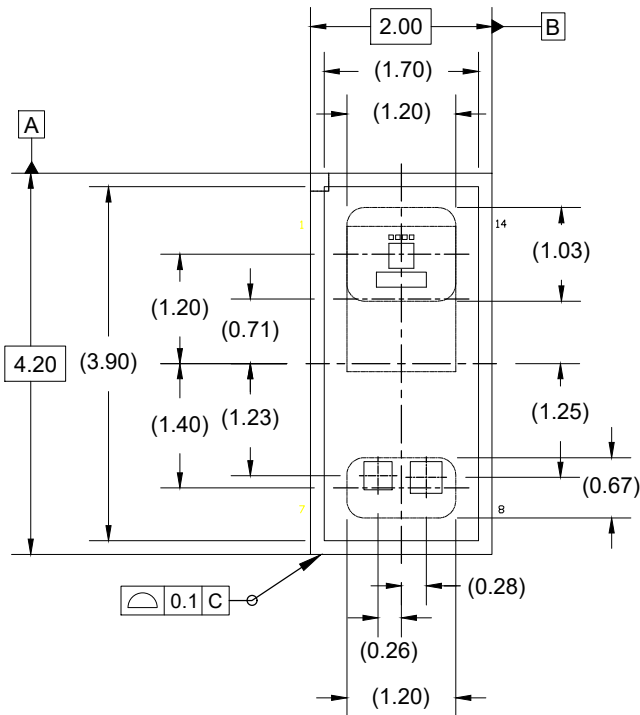
## 13. Glossary

Term	Description
ADC	Analog-to-Digital Converter
AOI	Angle of Incidence
Comp.	Temperature Compensation (Dark Channel for Light Sensor)
CS	Color Sensor Function using the Red, Green, Blue, Clear and Comp. Sensors
FIFO	First-In-First-Out Register Bank

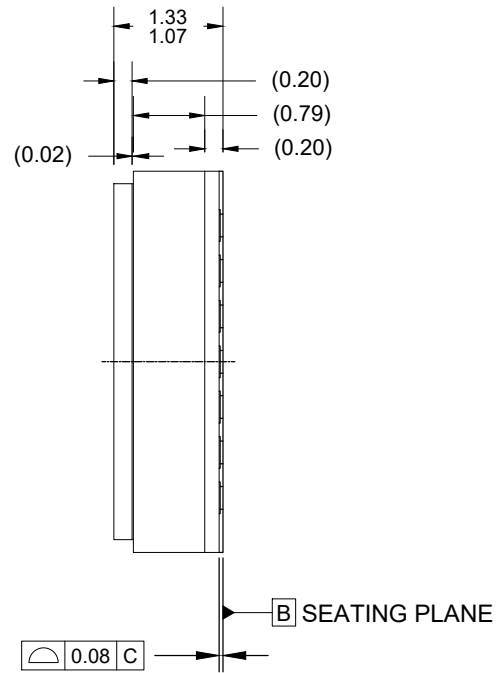
Term	Description
FSM	Finite State Machine
HP	High Precision (Oscillator)
ICE	Integrated Concept Engine
JEDEC	Joint Electron Device Engineering Council
LP	Low Power (Oscillator)
LS	Light Sensor Function using the Clear, Green and Comp Sensors in the OB1203
LSB	Least Significant Bit
MCU	Microcontroller Unit
MSB	Most Significant Bit
NVM	Nonvolatile Memory
OSIP	Optical System in Package
POR	Power-on Reset
PPG	Photoplethysmography
RGB	Red, Green, Blue
SDA	Serial Data
SCL	Serial Clock
SW	Software

## 14. Revision History

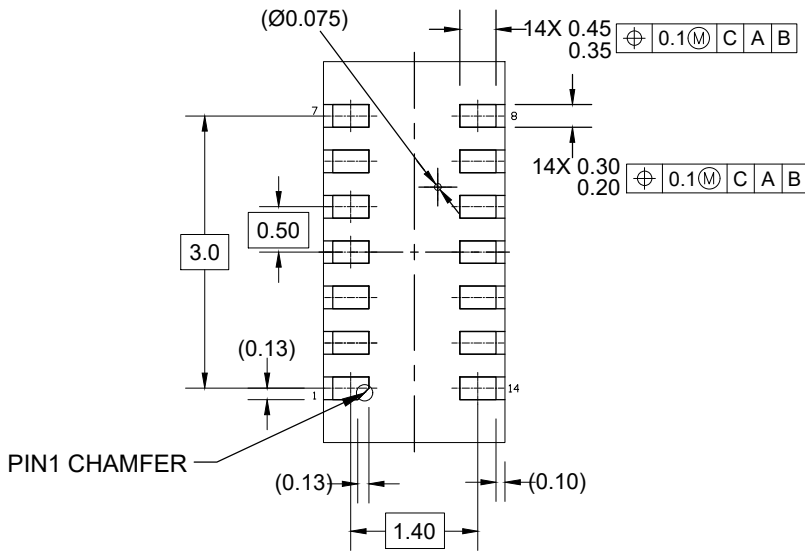
Revision Date	Description of Change
July 22, 2022	<ul style="list-style-type: none"> <li>▪ Updated summary description</li> <li>▪ Updated the pin descriptions</li> <li>▪ Updated the part ID</li> <li>▪ Added bio digital trim registers to register map</li> <li>▪ Added references to OB1203LC version. Added figure for PS/PPG photodiode response.</li> <li>▪ Completed other minor changes</li> </ul>
January 12, 2021	Updated the STATUS_1 register description.
November 2, 2020	Updated the description of Peak Package Body Temperature (T <sub>p</sub> ) in Table 17.
May 29, 2020	Initial release.



TOP VIEW



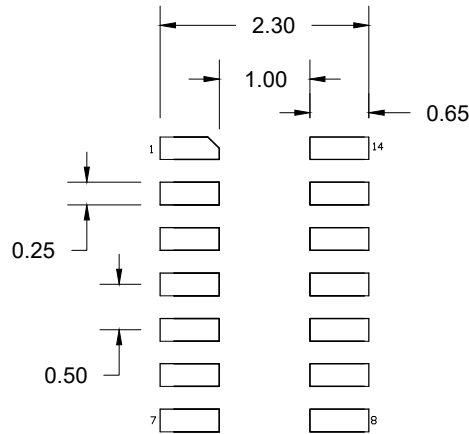
SIDE VIEW



BOTTOM VIEW

**NOTES:**

1. All dimensions are in mm. .
2. ±0.05 tolerance applies where no tolerance is indicated.



**RECOMMENDED LAND PATTERN DIMENSION**

**NOTES:**

1. All dimensions are in mm. angles in degrees.
2. Top down view as viewed on PCB.
3. Land pattern recommendation per IPC-7351B generic requirement for surface mount design and land pattern.

**ASSEMBLY RECOMMENDATIONS:**

1. Use low-flux solder paste to avoid excess flux being siphoned into vent hole on bottom of package
2. Do not wash after soldering; liquid can enter the optical cavities via the vent hole.
3. If liquid appears inside the optical cavity, dry at 100 C for 8 hrs.

## IMPORTANT NOTICE AND DISCLAIMER

RENESAS ELECTRONICS CORPORATION AND ITS SUBSIDIARIES (“RENESAS”) PROVIDES TECHNICAL SPECIFICATIONS AND RELIABILITY DATA (INCLUDING DATASHEETS), DESIGN RESOURCES (INCLUDING REFERENCE DESIGNS), APPLICATION OR OTHER DESIGN ADVICE, WEB TOOLS, SAFETY INFORMATION, AND OTHER RESOURCES “AS IS” AND WITH ALL FAULTS, AND DISCLAIMS ALL WARRANTIES, EXPRESS OR IMPLIED, INCLUDING, WITHOUT LIMITATION, ANY IMPLIED WARRANTIES OF MERCHANTABILITY, FITNESS FOR A PARTICULAR PURPOSE, OR NON-INFRINGEMENT OF THIRD PARTY INTELLECTUAL PROPERTY RIGHTS.

These resources are intended for developers skilled in the art designing with Renesas products. You are solely responsible for (1) selecting the appropriate products for your application, (2) designing, validating, and testing your application, and (3) ensuring your application meets applicable standards, and any other safety, security, or other requirements. These resources are subject to change without notice. Renesas grants you permission to use these resources only for development of an application that uses Renesas products. Other reproduction or use of these resources is strictly prohibited. No license is granted to any other Renesas intellectual property or to any third party intellectual property. Renesas disclaims responsibility for, and you will fully indemnify Renesas and its representatives against, any claims, damages, costs, losses, or liabilities arising out of your use of these resources. Renesas' products are provided only subject to Renesas' Terms and Conditions of Sale or other applicable terms agreed to in writing. No use of any Renesas resources expands or otherwise alters any applicable warranties or warranty disclaimers for these products.

(Rev.1.0 Mar 2020)

### Corporate Headquarters

TOYOSU FORESIA, 3-2-24 Toyosu,  
Koto-ku, Tokyo 135-0061, Japan  
[www.renesas.com](http://www.renesas.com)

### Contact Information

For further information on a product, technology, the most up-to-date version of a document, or your nearest sales office, please visit:  
[www.renesas.com/contact/](http://www.renesas.com/contact/)

### Trademarks

Renesas and the Renesas logo are trademarks of Renesas Electronics Corporation. All trademarks and registered trademarks are the property of their respective owners.



# Mouser Electronics

Authorized Distributor

Click to View Pricing, Inventory, Delivery & Lifecycle Information:

[Renesas Electronics:](#)

[OB1203SD-U-EVK](#)