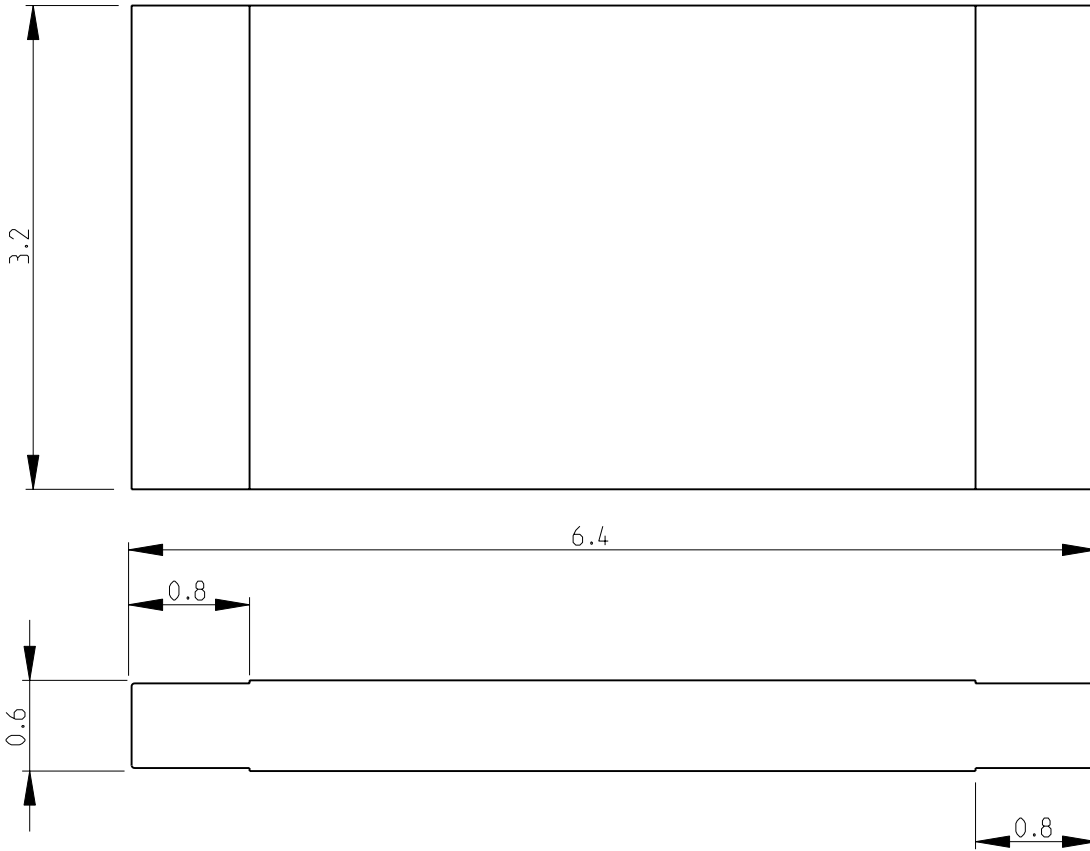
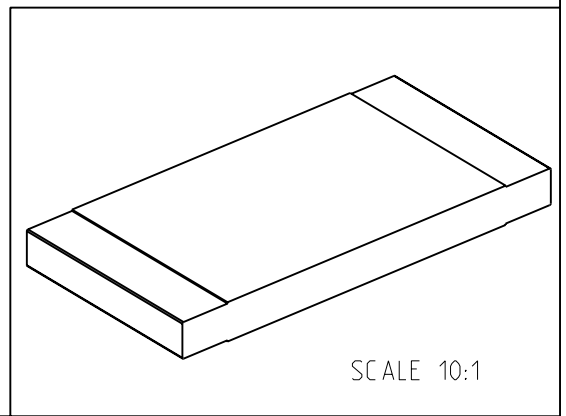


LOC	DIST	REVISIONS			
P	LTR	DESCRIPTION	DATE	DWN	APVD
E	B	BA1	REVISED PER ECO-11-005150	11MAY2011	RK HMR


FOR FURTHER INFORMATION SEE DATA SHEET FOR SERIES TL3A - SMD LOW-OHMIC CURRENT SENSE RESISTORS



RoHS Compliant



2009  
RELEASED FOR PUBLICATION  
ALL RIGHTS RESERVED.  
THIS DRAWING IS UNPUBLISHED.  
COPYRIGHT 2009

DIMENSIONS: mm		DWN SUBHASH.M 07-JAN-09	MATERIAL	FINISH
TOLERANCES UNLESS OTHERWISE SPECIFIED: 0 PLC ±0.2 1 PLC ±0.1 2 PLC ± 3 PLC ± 4 PLC ± ANGLES ±5°		CHK PRAKASH.S 07-JAN-09	 TE Connectivity	
		APVD STEPHEN.P 07-JAN-09		
		PRODUCT SPEC	NAME SMD LOW-OHMIC CURRENT SENSE RESISTORS SERIES TL3A	
		APPLICATION SPEC	SIZE	CAGE CODE
			A 4	00779
		WEIGHT	DRAWING NO	RESTRICTED TO
			C-1625827	-
CUSTOMER DRAWING			SCALE	SHEET
			20:1	1 OF 1
			REV	BA1