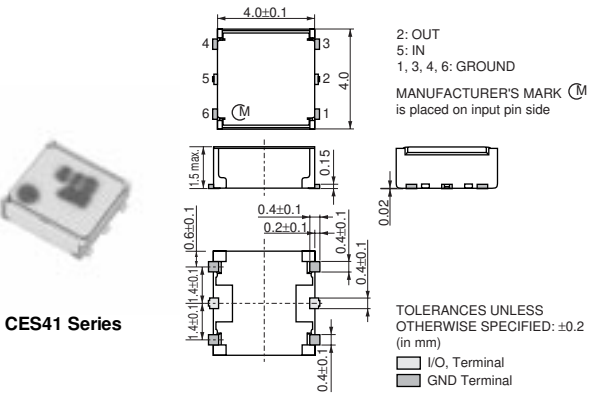
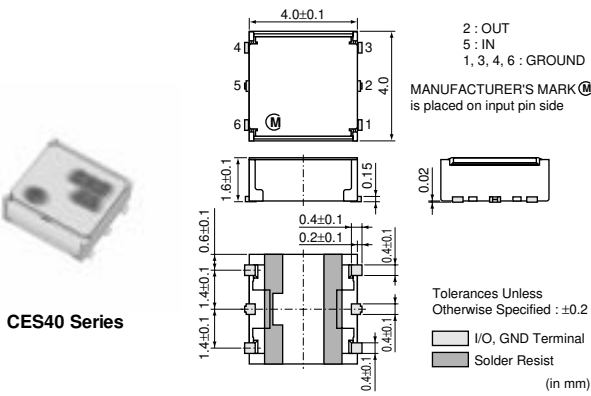
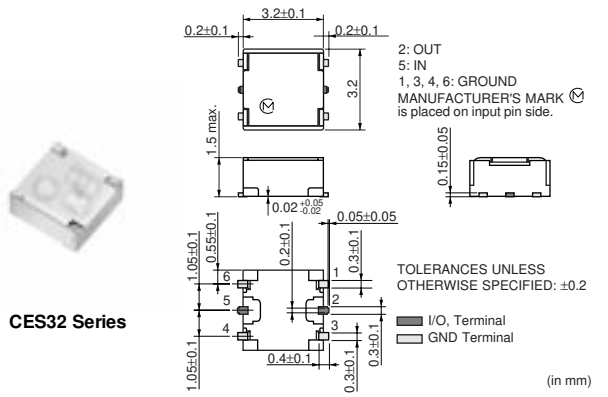
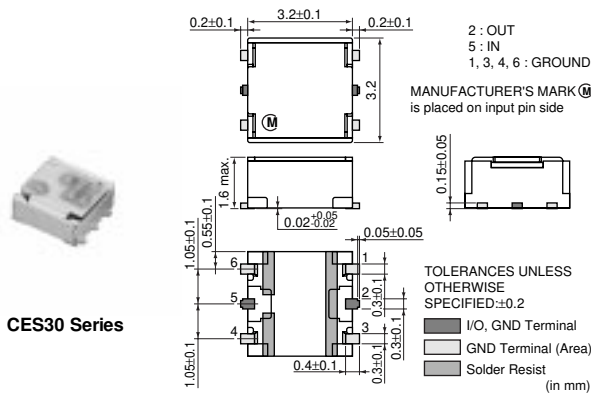
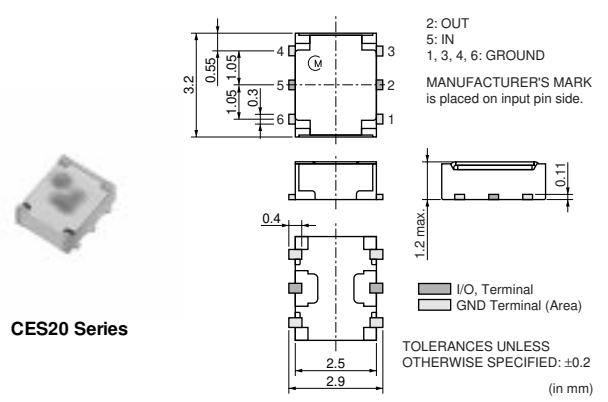
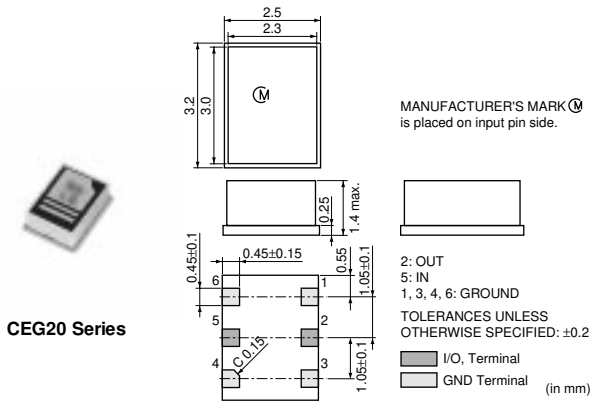


Isolators



Part Number	F ₀ (MHz)	IL at BW (max.) (dB)	Isolation (min.) (dB)	Rating Power (max.) (W)
CEG20835MCCB000	835	0.6	13	2.5
CEG20836MDCB000	836.5	0.6	10	2.5
CEG20911MDCB000	911.5	0.6	10	2.5
CEG21835MCCB000	835	0.6	13	2.5
CEG21836MDCB000	836.5	0.6	11	2.5
CEG21911MDCB000	911.5	0.6	10	2.5
CES201G76CCB000	1767.5	0.61	13	2.5
CES201G88DCB000	1880	0.63	13	2.5
CES201G95DCB000	1950	0.6	13	2.5
CES301G44CCB000	1441	0.64	12.5	2.5
CES301G45CCB000	1453.5	0.64	12	2.5
CES301G76CCB000	1765	0.7	12	2.5
CES301G88DCB000	1880	0.64	13	2.5

Continued on the following page.

Note • This PDF catalog is downloaded from the website of Murata Manufacturing co., ltd. Therefore, it's specifications are subject to change or our products in it may be discontinued without advance notice. Please check with our sales representatives or product engineers before ordering.
• This PDF catalog has only typical specifications because there is no space for detailed specifications. Therefore, please approve our product specifications or transact the approval sheet for product specifications before ordering.

Continued from the preceding page.

Part Number	F _o (MHz)	IL at BW (max.) (dB)	Isolation (min.) (dB)	Rating Power (max.) (W)
CES301G90CCB000	1900	0.62	14.5	2.5
CES301G95DCB000	1950	0.6	13	2.5
CES321G88DCB000	1880	0.58	13	2.5
CES321G95DCB000	1950	0.55	13	2.5
CES40836MDCB000	836.5	0.75	10.5	2.5
CES40897MDCB000	897.5	0.75	10	2.5
CES40906MDCB000	906	0.78	10	2.5
CES41906MDCB000	906	0.68	10	2.5