

Y2 Capacitor

Features

- Y2 class
- Leads are not insulated
- For worldwide use as an electromagnetic interference suppressor in all Y2 applications, line-to-earth
- Conforms to EN 60384-14:2013+A1



SPECIFICATION:

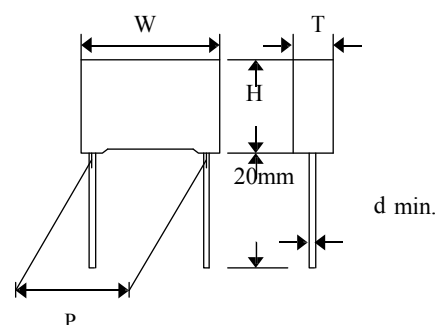
Capacitance tolerance	10%
Dielectric	Metallized Polypropylene Film
IEC-climate category	40/110/56/B
Max. temperature	+110 °C
Min. Temperature	-40 °C
Rated voltage	300 VAC
Capacitance	4.7 nF
Pitch (P)	10 mm

Art.Nr.

RND 150Y472K300L100C2-3

PRODUCT RANGE

Art.Nr.	Capacitance	Height (H)	Pitch (P)	Width (W)	Diameter (d)	Depth (T)
RND 150Y102K300L100C2-3	1 nF	11 mm	10 mm	13 mm	0.6 mm	5 mm
RND 150Y102K300L150D1	1 nF	11 mm	15 mm	18 mm	0.6 mm	5 mm
RND 150Y103K300L150D1	10 nF	11 mm	15 mm	18 mm	0.6 mm	5 mm
RND 150Y104K300L225E2	100 nF	16.5 mm	22.5 mm	26.5 mm	0.8 mm	7 mm
RND 150Y153K300L150D1	15 nF	11 mm	15 mm	18 mm	0.6 mm	5 mm
RND 150Y222K300L075B12LT	2.2 nF	11 mm	7.5 mm	10.5 mm	0.6 mm	5 mm
RND 150Y222K300L100C2-3	2.2 nF	11 mm	10 mm	13 mm	0.6 mm	5 mm
RND 150Y223K300L150C6	22 nF	11 mm	15 mm	17 mm	0.6 mm	5.5 mm
RND 150Y333K300L150D2	33 nF	12 mm	15 mm	18 mm	0.6 mm	6 mm
RND 150Y472K300L075B12LT	4.7 nF	11 mm	7.5 mm	10.5 mm	0.6 mm	5 mm
RND 150Y472K300L100C2-3	4.7 nF	11 mm	10 mm	13 mm	0.6 mm	5 mm
RND 150Y473K300L150D2	47 nF	12 mm	15 mm	18 mm	0.6 mm	6 mm
RND 150Y473K300L225E1-2	47 nF	14.5 mm	22.5 mm	25 mm	0.6 mm	6 mm
RND 150Y563K300L150C6-1	56 nF	15.5 mm	15 mm	17 mm	0.6 mm	7.5 mm
RND 150Y683K300L150C6-1	68 nF	15.5 mm	15 mm	17 mm	0.6 mm	7.5 mm



ELECTRICAL CHARACTERISTICS			
(TV) Withstand Voltage	Between Terminals	Shall be no abnormality	Apply 2,000V (AC) for 2 sec. or 4,000V (DC) for 2 sec.
	Between Terminals &Enclosure	Shall be no abnormality	Apply $2 \cdot U_r + 1,500$ VAC for 2 to 5 sec. Min. 2,000VAC
Dissipation Factor		0.001(0.1%) at 1 KHz	Measuring Frequency: $\pm 2\%$ Measuring Voltage: ≤ 1 Vrms..
Capacitance		Within the tolerance specified (at $+20 \pm 5^\circ\text{C}$).	Measuring Frequency: $\pm 2\%$ Measuring Voltage: ≤ 1 Vrms..
Insulation Resistance		$\geq 15,000$ Mohm	Vt=100 VDC Charge Time : 60 ± 5 sec.
Soldering Property		More than 90% of circumferential surface of lead wire shall be covered with new solder.	Soldering temperature: $+235 \pm 5^\circ\text{C}$ Immersion duration: 2 ± 0.5 sec.

GUIDELINE OF USAGE

Plastic film capacitors use organic films for their dielectrics, thus the capacitors may fume or flame, depending on the circuit conditions they are in, when they are damaged by applying over-voltage or over-current.

1. Circuit Design

- ① Please use capacitors within the range of their characteristic ratings, only after confirming their operating and mounting environments.
- ② In case of selecting a capacitor, please select the most suitable one which fits to your operating conditions.
- ③ Capacitors used for Across-The-Line, Line-By-Pass and Antenna-Coupling to suppress noises in an equipment, the capacitors need to be approved by overseas Safety Standards or 'Electric Appliance and Material Control' by Ministry of international Trade and Industry.
- ④ An applying voltage to a capacitor, including the peak of surge and ripple voltage (D.C. voltage + A.C. Peak), cannot be exceeded the rating voltage.
- ⑤ Do not apply a current over its permissible level. Also, make sure to check the surrounding temperature and inherent temperature rise of a capacitor since a permissible current can be restricted by those factors.
- ⑥ Please contact Chiefcon for further details, if mechanical resonance (hum) occurs to a capacitor.
- ⑦ Do not conduct a rapid charge and discharge to a capacitor which may lead to characteristic degradations or break down of the capacitor.

2. Mounting

- ① Do not apply any exceeding tension or torsion to lead wires of a capacitor, during the mounting process
- ② Please mount a capacitor where it does not contact any other heating parts, high voltage parts and other parts.
- ③ Please conduct soldering process by strictly following the specified conditions.

3. Case of an emergency

- ① If a fuming, a flaming or an unusual smell occurs from an equipment during its usage, please cut off the power supply by switching it off, pulling the plug out or other methods.

4. Storing and handling

- ① A storage needs to be kept indoors at $-10 \sim +40^{\circ}\text{C}$ and relative humidity of under 75% without any sudden temperature changes, direct sunlight and corrosive gas around.
- ② Do not apply and exceeding vibration, shock (dropping) and pressure.

5. Rejection

- ① In case of rejecting capacitors, please seek for professionals who deal with the industrial wastes treatments.