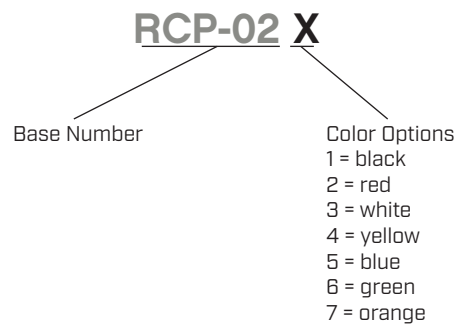


**SERIES:** RCP-02 | **DESCRIPTION:** RCA PLUG

**FEATURES**

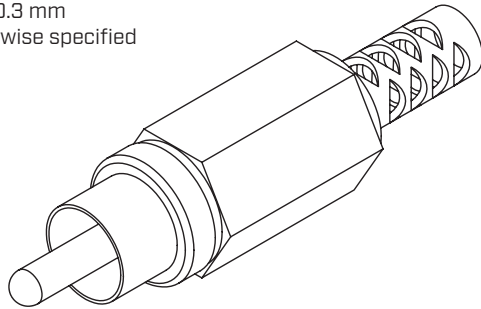
- modular RCA plug connector
- available in multiple colors


**PART NUMBER KEY**

**SPECIFICATIONS**

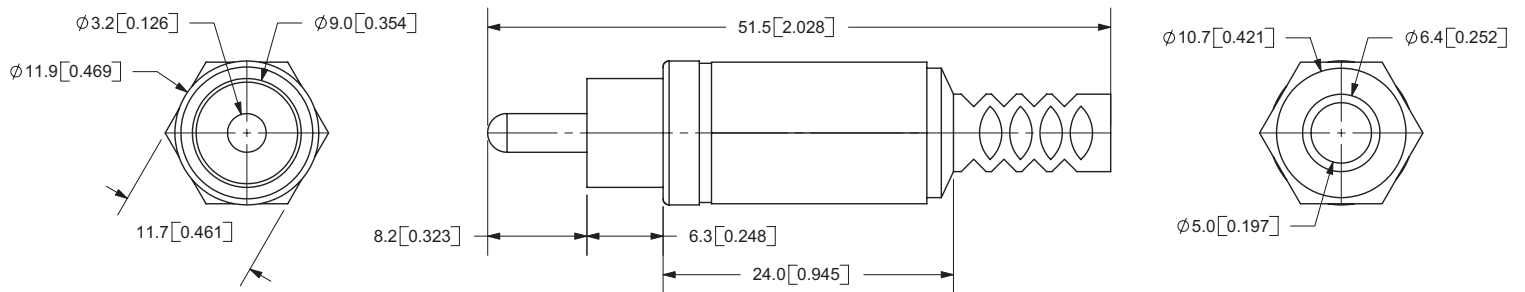
parameter	conditions/description	min	typ	max	units
contact resistance				30	mΩ
insulation resistance	at 500 Vdc	100			MΩ
voltage withstand	for 1 minute			500	Vac
operating temperature		-20		85	°C
life			5,000		cycles
flammability	UL94HB				
RoHS	yes				

## MECHANICAL DRAWING

units: mm[inches]  
 tolerance: ±0.3 mm  
 unless otherwise specified



	MATERIAL	PLATING
barrel	brass	nickel
cover	PE	color
barrel housing	ABS	color



## REVISION HISTORY

rev.	description	date
1.0	initial release	05/16/2006
1.01	brand update	06/11/2020
1.02	logo, datasheet style update	11/21/2022

The revision history provided is for informational purposes only and is believed to be accurate.



CUI Devices offers a one (1) year limited warranty. Complete warranty information is listed on our website.

CUI Devices reserves the right to make changes to the product at any time without notice. Information provided by CUI Devices is believed to be accurate and reliable. However, no responsibility is assumed by CUI Devices for its use, nor for any infringements of patents or other rights of third parties which may result from its use.

CUI Devices products are not authorized or warranted for use as critical components in equipment that requires an extremely high level of reliability. A critical component is any component of a life support device or system whose failure to perform can be reasonably expected to cause the failure of the life support device or system, or to affect its safety or effectiveness.

[cuidevices.com](http://cuidevices.com)

# Mouser Electronics

Authorized Distributor

Click to View Pricing, Inventory, Delivery & Lifecycle Information:

## CUI Devices:

[RCP-021](#) [RCP-024](#) [RCP-025](#) [RCP-022](#) [RCP-023](#)