

Customer Information Sheet

DRAWING No.: M80-103XX98S

SHEET 2 OF 2

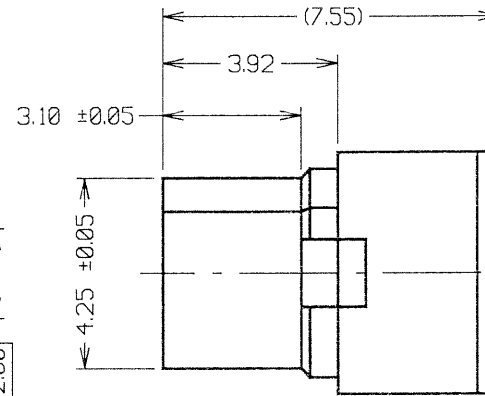
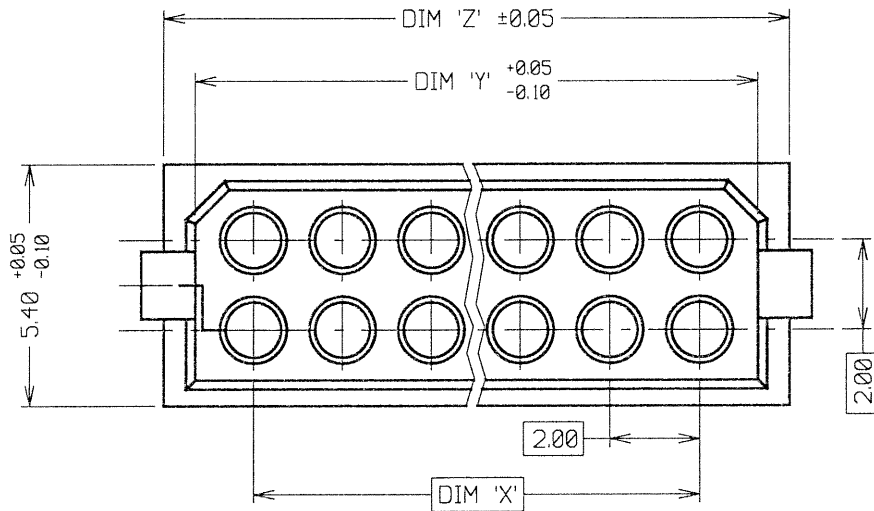
IF IN DOUBT - ASK

©

NOT TO SCALE

THIRD ANGLE PROJECTION

ALL DIMENSIONS IN mm



ORDER CODE:

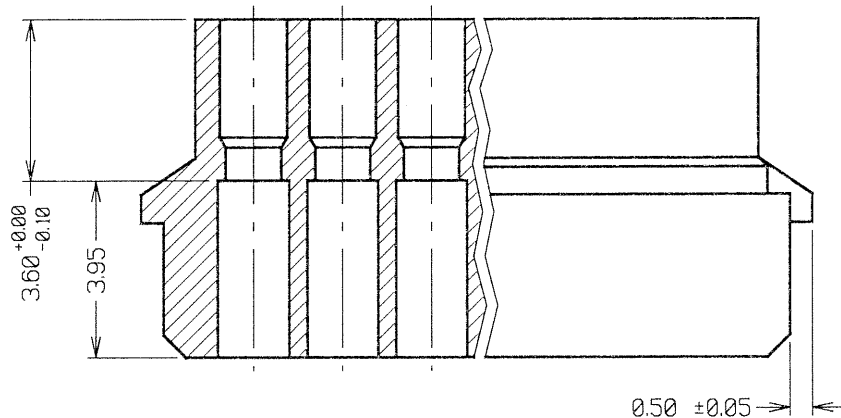
M80-103XX98S

No. OF CONTACTS

04, 06, 08, 10, 12, 14
16, 18, 20, 26 & 34

NOTES:

- SUITABLE FOR USE WITH M80-01100XX & M80-01300XX CRIMP SOCKETS.



SPECIFICATIONS:

MATERIAL = GLASS-FILLED POLYESTER UL94V-0, BLACK
ALL OTHER APPLICABLE SPECIFICATIONS ARE SHOWN IN COMPONENT SPECIFICATION C001XX (LATEST ISSUE), AND APPLY WHEN CRIMP SOCKETS ARE ASSEMBLED.

PART No.	DIM 'X'	DIM 'Y'	DIM 'Z'
M80-1030498S	2.00	4.60	6.00
M80-1030698S	4.00	6.60	8.00
M80-1030898S	6.00	8.60	10.00
M80-1031098S	8.00	10.60	12.00
M80-1031298S	10.00	12.60	14.00
M80-1031498S	12.00	14.60	16.00
M80-1031698S	14.00	16.60	18.00
M80-1031898S	16.00	18.60	20.00
M80-1032098S	18.00	20.60	22.00
M80-1032698S	24.00	26.60	28.00
M80-1033498S	32.00	34.60	36.00

JMB	2	23.08.06	9394
NAME	ISS.	DATE	C/NOTE
APPROVED: <i>[Signature]</i>			
CHECKED: <i>[Signature]</i>			
DRAWN: W. J. BOURNE			
CUSTOMER REF.:			
ASSEMBLY DRG.:			

HARWIN

HARWIN USA
TEL: 603 893 5376
FAX: 603 893 5396
mis@harwin.com

HARWIN Europe (UK)
TEL: 023 9231 4545
FAX: 023 9231 4590
mis@harwin.co.uk

HARWIN Asia
TEL: +65 6 779 4909
FAX: +65 6 779 3868
mis@harwin.com.sg

THIS DRAWING AND ANY INFORMATION OR DESCRIPTIVE MATTER SET OUT HEREON ARE CONFIDENTIAL AND COPYRIGHT PROPERTY OF THE HARWIN GROUP AND MUST NOT BE DISCLOSED, LOANED, COPIED OR USED FOR MANUFACTURING, TENDERING OR FOR ANY OTHER PURPOSE WITHOUT THEIR WRITTEN PERMISSION.

TOLERANCES

X. = ±1mm
X.X = ±0.25mm
X.XX = ±0.10mm
X.XXX = ±0.01mm
ANGLES = ±5°
UNLESS STATED

MATERIAL:

M80-103XX98

FINISH:

S/AREA:

mm²

TITLE:

DATAMATE DIL CRIMP MOULDING

DRAWING NUMBER:

M80-103XX98S

SHT
2
OF
2

Mouser Electronics

Authorized Distributor

Click to View Pricing, Inventory, Delivery & Lifecycle Information:

[Harwin:](#)

[M80-1030498S](#) [M80-1031098S](#) [M80-1030898S](#) [M80-1030698S](#) [M80-1032698S](#) [M80-1031498S](#) [M80-1032098S](#)
[M80-1031698S](#) [M80-1031298S](#) [M80-1031898S](#) [M80-1033498S](#)