

## Linear, Fixed, 100mA, Constant Current LED Driver

### Features

- ▶ 100mA  $\pm$ 5% constant current drive
- ▶ Built-in reverse polarity protection
- ▶ Dimmable via PWM supply
- ▶ Overtemperature protection
- ▶ Tab ground allows direct heatsinking to chassis
- ▶ 90V max rating for transient immunity

### Applications

- ▶ Flashlights
- ▶ Specialty lighting
- ▶ Low voltage signage
- ▶ Low voltage lighting

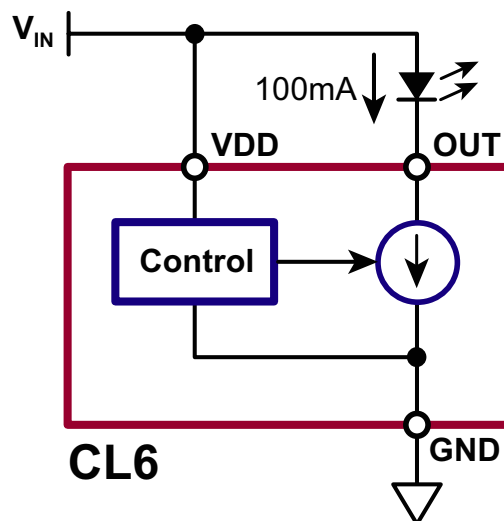
### General Description

The CL6 is a fixed, linear current regulator designed for driving high brightness LEDs at 100mA from nominal 12V, 24V, or 48V supplies. With a maximum rating of 90V, it is able to withstand transients without the need for additional transient protection circuitry.

The CL6 is offered in both TO-252 (D-PAK) and TO-220 packages. The tab on the TO-220 is ground, allowing heatsinking directly to a chassis without the need for electrically insulating spacers.

Overtemperature protection shuts off the LED current when the die temperature rises above 135°C (nominal). Full LED current resumes when the die temperature falls below 105°C (nominal).

### Typical Application Circuit



## Ordering Information

Part Number	Package Option	Packing
CL6K4-G	TO-252 (D-PAK)	2000/Reel
CL6N5-G	3-Lead TO-220	50/Tube

-G denotes a lead (Pb)-free / RoHS compliant package

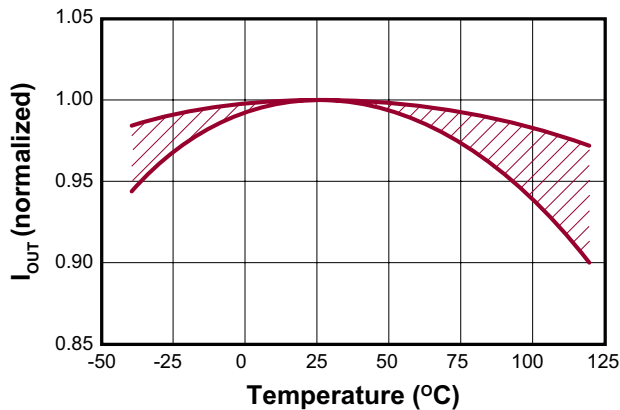
## Absolute Maximum Ratings

Parameter	Value
Supply voltage, $V_{DD}$	-25V to +100V
Output voltage, $V_{OUT}$	-25V to +100V
Operating junction temperature*	-40°C
Storage temperature	-65°C to +150°C

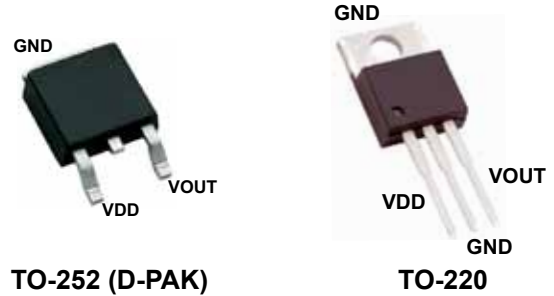
Absolute Maximum Ratings are those values beyond which damage to the device may occur. Functional operation under these conditions is not implied. Continuous operation of the device at the absolute rating level may affect device reliability. All voltages are referenced to device ground.

\* Maximum junction temperature internally limited.

## $I_{OUT}$ vs Temperature



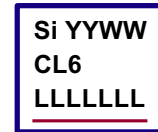
## Pin Configurations



## Pin Designation

Pin	Name	Description
VDD	VDD	Supply voltage for the CL6
OUT	Output	Connect the LED between this pin and the supply voltage
GND	Ground	Circuit common

## Product Marking



YY = Year Sealed  
 WW = Week Sealed  
 L = Lot Number  
 — = "Green" Packaging

Package may or may not include the following marks: Si or **3-Lead TO-252 (D-PAK)**



L = Lot Number  
 YY = Year Sealed  
 WW = Week Sealed  
 — = "Green" Packaging

Package may or may not include the following marks: Si or **3-Lead TO-220**

## Thermal Characteristics

Guaranteed by design – not production tested

Sym	Parameter	Min	Typ	Max	Units	Conditions
$\theta_{JA}$	Thermal resistance, junction to ambient	D-PAK	-	81	-	°C/W Soldered to 2cm <sup>2</sup> exposed copper area
		TO-220	-	29	-	
$T_{LIM}$	Overtemperature limit	120	135	150	°C	---
$T_{HYS}$	Overtemperature hysteresis	-	30	-	°C	---

## Recommended Operating Conditions

(all voltages with respect to GND pin)

Sym	Parameter		Min	Typ	Max	Units	Conditions
$V_{DD}$	Supply voltage	Normal	6.5	-	28	V	---
		Extended	6.5	-	90		
$V_{OUT}$	Voltage at OUT pin <sup>1</sup>	Normal	4.0	-	28	V	---
		Extended	4.0	-	90		
$T_j$	Junction temperature <sup>2</sup>		-40	-	119	°C	---

**Note:**

1. Continuous operation at high  $V_{OUT}$  voltages may result in activation of overtemperature protection. Use appropriate heatsinking.
2. Maximum junction temperature internally limited.

## Electrical Characteristics

(Over normal recommended operating conditions unless otherwise specified. All voltages with respect to GND pin. Production tested @ 25°C.)

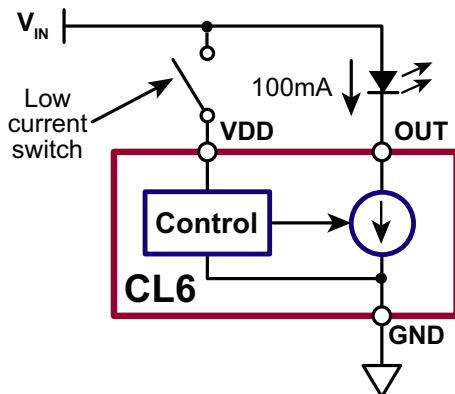
Sym	Parameter	Min	Typ	Max	Units	Conditions
$I_{DD}$	Current into $V_{DD}$ pin	3.0	5.0	10	mA	--
$I_{OUT}$	Current into OUT pin <sup>(3)</sup>	95	100	105	mA	Normal conditions, 25°C
		90	100	110		Normal conditions, full temp <sup>(4)</sup>
		50	-	120		Extended conditions
$I_{OUT(OFF)}$	Current into OUT pin with $V_{DD}$ pin open	-	-	10	µA	$V_{DD} = \text{open}$
$V_{OFF}$	Voltage at $V_{DD}$ to shut off LED current	-	-	1.0	V	$I_{OUT} < 10\mu\text{A}$
$t_{ON}$	$V_{DD}$ applied on delay	-	-	100	µs	---
$t_{OFF}$	$V_{DD}$ removed off delay	-	-	100	µs	---

**Note:**

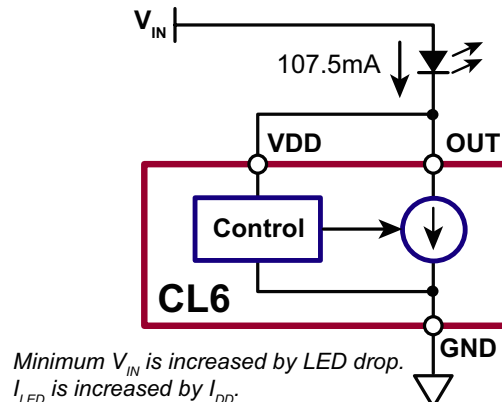
3. Thermal considerations may limit current to lower values. Use appropriate heat sinking.
4. Guaranteed by design – not production tested.

## Application Circuits

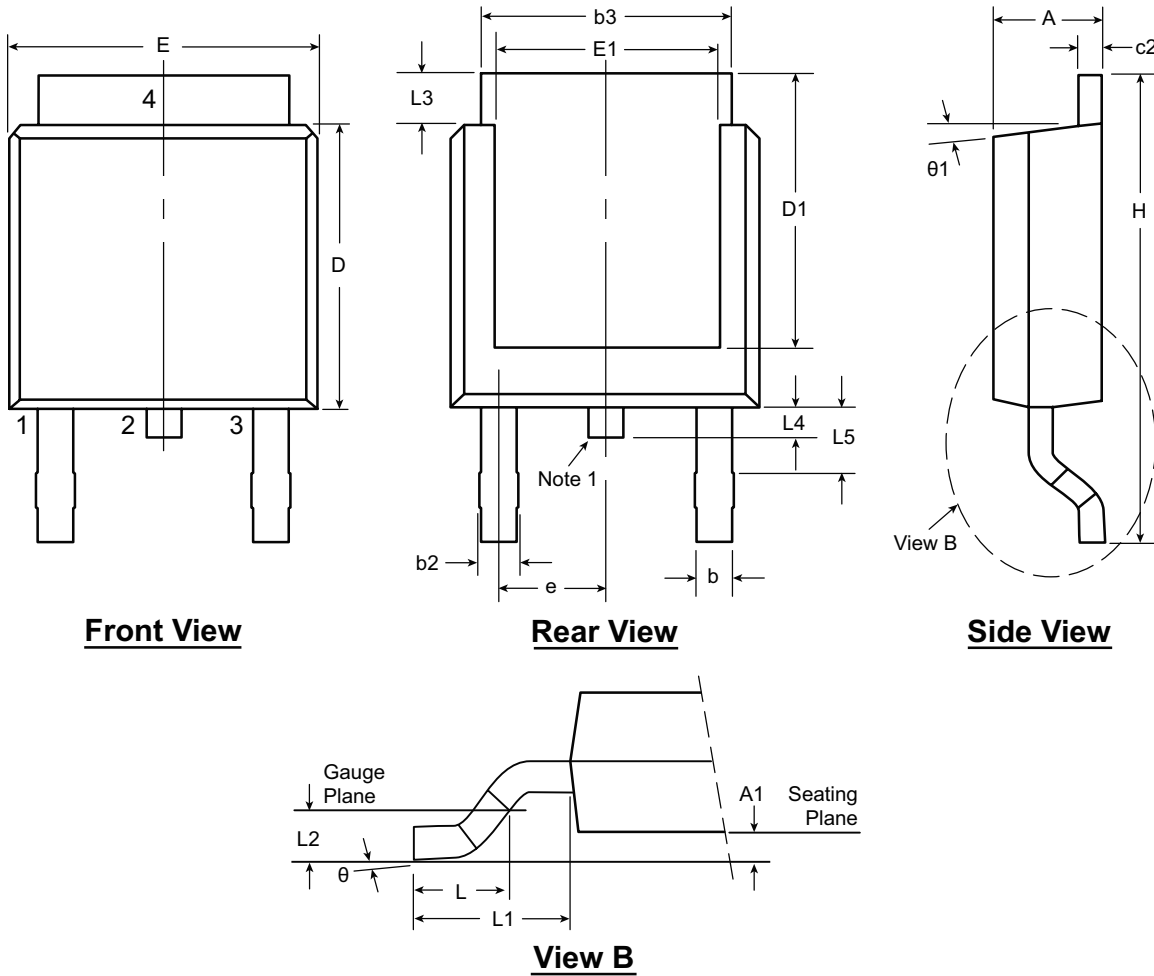
### Low Current On/Off Control



### 2-Terminal Operation



# 3-Lead TO-252 (D-PAK) Package Outline (K4)



**Note:**

1. Although 4 terminal locations are shown, only 3 are functional. Lead number 2 was removed.

Symbol	A	A1	b	b2	b3	c2	D	D1	E	E1	e	H	L	L1	L2	L3	L4	L5	$\theta$	$\theta_1$		
Dimension (inches)	MIN	.086	.000*	.025	.030	.195	.018	.235	.205	.250	.170	.370	.055	.108 REF	.020 BSC	.035	.025*	.035 <sup>†</sup>	0°	0°		
	NOM	-	-	-	-	-	-	.240	-	-	-	-	.060			-	-	-	-	-	-	-
	MAX	.094	.005	.035	.045	.215	.035	.245	.217*	.265	.200*	.410	.070			.050	.040	.060	10°	15°		

JEDEC Registration TO-252, Variation AA, Issue E, June 2004.

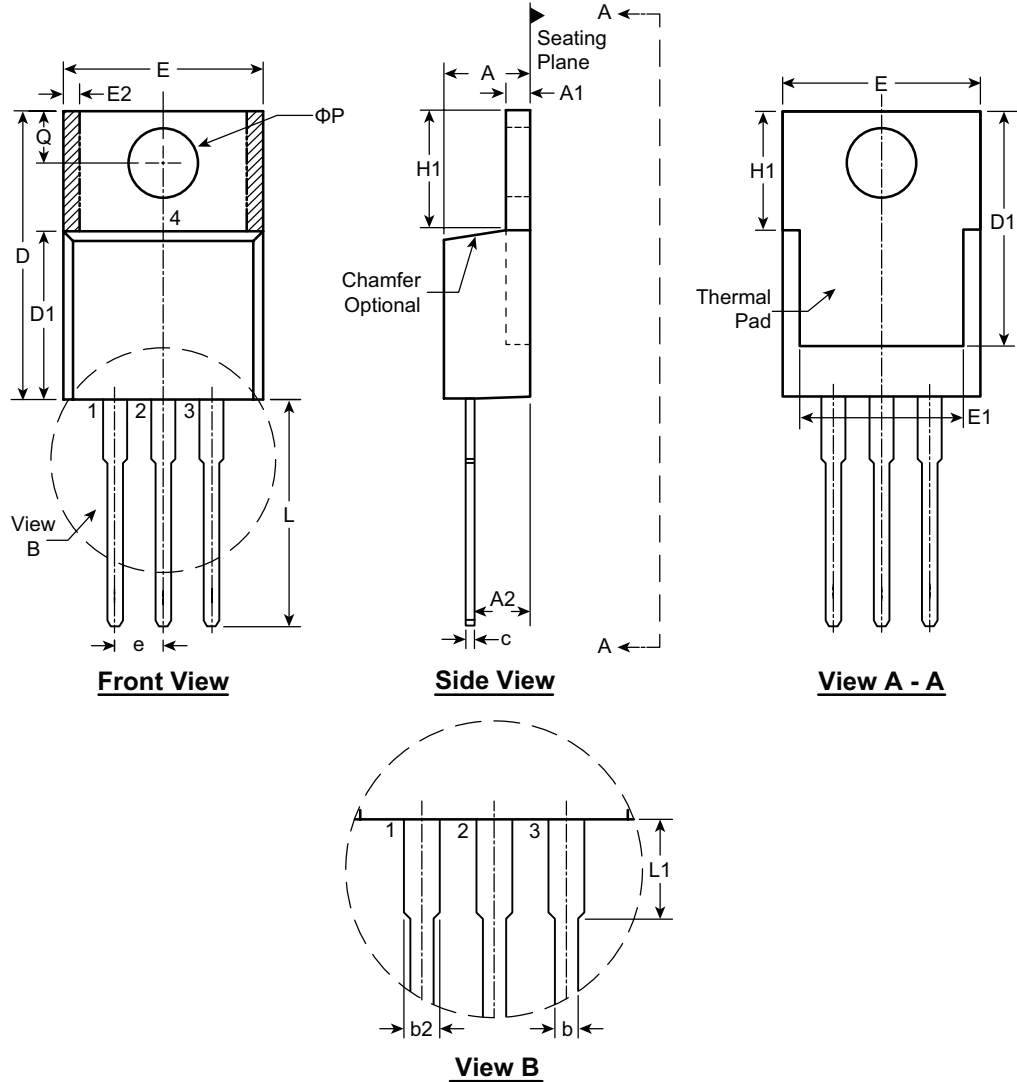
\* This dimension is not specified in the JEDEC drawing.

† This dimension differs from the JEDEC drawing.

**Drawings not to scale.**

Supertex Doc. #: DSPD-3TO252K4, Version F040910.

# 3-Lead TO-220 Package Outline (N5)



Symbol	A	A1	A2	b	b2	c	D	D1	D2	E	E1	E2	e	H1	L	L1	Q	ΦP	
Dimension (inches)	MIN	.140	.020	.080	.015	.045	.560	.326†	.474†	.380	.270	0.20*	.100 BSC	.230	.500	.200*	.100	.139	
	NOM	-	-	-	.027	.057	-	-	-	-	-	-		-	-	-	-	-	-
	MAX	.190	.055	.120†	.040	.070	.024	.650	.361†	.507	.420	.350		.030	.270	.580	.250	.135	.161

JEDEC Registration TO-220, Variation AB, Issue K, April 2002.

\* This dimension is not specified in the JEDEC drawing.

† This dimension differs from the JEDEC drawing.

Drawings not to scale.

Supertex Doc. #: DSPD-3TO220N5, Version C041009.

(The package drawing(s) in this data sheet may not reflect the most current specifications. For the latest package outline information go to <http://www.supertex.com/packaging.html>.)

**Supertex inc.** does not recommend the use of its products in life support applications, and will not knowingly sell them for use in such applications unless it receives an adequate "product liability indemnification insurance agreement." **Supertex inc.** does not assume responsibility for use of devices described, and limits its liability to the replacement of the devices determined defective due to workmanship. No responsibility is assumed for possible omissions and inaccuracies. Circuitry and specifications are subject to change without notice. For the latest product specifications refer to the **Supertex inc.** (website: <http://www.supertex.com>)

# Mouser Electronics

Authorized Distributor

Click to View Pricing, Inventory, Delivery & Lifecycle Information:

[Microchip:](#)

[CL6K4-G](#) [CL6N5-G](#)