

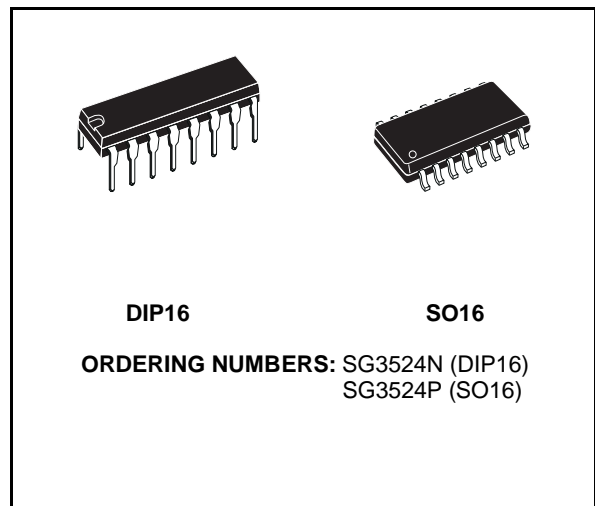


## REGULATING PULSE WIDTH MODULATORS

- COMPLETE PWM POWER CONTROL CIRCUITRY
- UNCOMMITTED OUTPUTS FOR SINGLE-ENDED OR PUSH PULL APPLICATIONS
- LOW STANDBY CURRENT 8mA TYPICAL
- OPERATION UP TO 300KHz
- 1% MAXIMUM TEMPERATURE VARIATION OF REFERENCE VOLTAGE

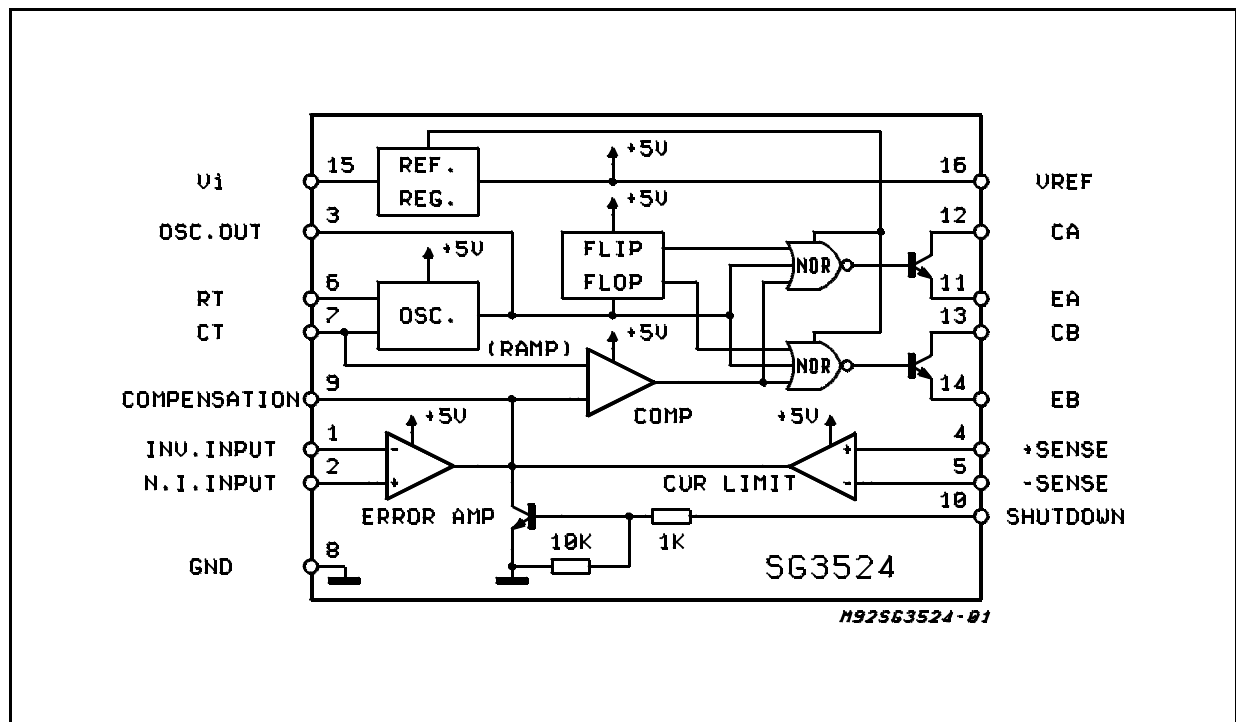
### DESCRIPTION

The SG3524 incorporates on a single monolithic chip all the function required for the construction of regulating power supplies inverters or switching regulators. They can also be used as the control element for high power-output applications. The SG3524 family was designed for switching regulators of either polarity, transformer-coupled dc-to-dc converters, transformerless voltage doublers and polarity converter applications employing fixed-frequency, pulse-width modulation techniques. The dual alternating outputs allows either single-ended or push-pull applications.



Each device includes an on-chip reference, error amplifier, programmable oscillator, pulse-steering flip flop, two uncommitted output transistors, a high-gain comparator, and current-limiting and shut-down circuitry.

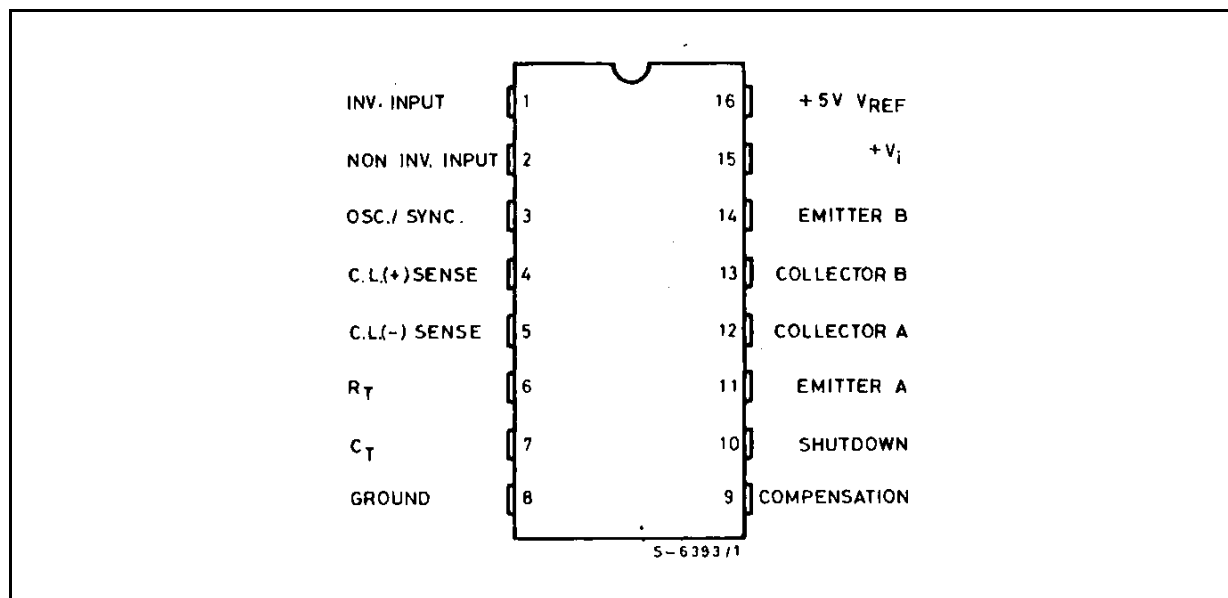
### BLOCK DIAGRAM



**ABSOLUTE MAXIMUM RATINGS**

Symbol	Parameter	Value	Unit
$V_{IN}$	Supply Voltage	40	V
$I_C$	Collector Output Current	100	mA
$I_R$	Reference Output Current	50	mA
$I_T$	Current Through $C_T$ Terminal	- 5	mA
$P_{tot}$	Total Power Dissipation at $T_{amb} = 70^{\circ}C$	1000	mW
$T_{stg}$	Storage Temperature Range	- 65 to 150	$^{\circ}C$
$T_{op}$	Operating Ambient Temperature Range:	0 to 70	$^{\circ}C$

**PIN CONNECTION (Top view)**



**THERMAL DATA**

Symbol	Parameter		DIP16	SO16	Unit
$R_{th\ j-amb}$	Thermal Resistance Junction-ambient	Max.	80	-	$^{\circ}C/W$
$R_{th\ j-alumina}$	Thermal Resistance Junction-alumina (*)	Max.	-	50	$^{\circ}C/W$

(\*) Thermal resistance junction-alumina with the device soldered on the middle of an alumina supporting substrate measuring 15 x 20mm; 0.65mm thickness with infinite heatsink.

**ELECTRICAL CHARACTERISTICS** (unless otherwise stated, these specifications apply for  $T_j = 0$  to  $70^\circ\text{C}$ ,  $V_{IN} = 20\text{V}$ , and  $f = 20\text{KHz}$ ).

Symbol	Parameter	Test Condition	Min.	Typ.	Max.	Unit
<b>REFERENCE SECTION</b>						
$V_{REF}$	Output Voltage		4.6	5	5.4	V
$\Delta V_{REF}$	Line Regulation	$V_{IN} = 8$ to $40\text{V}$		10	30	mV
$\Delta V_{REF}$	Load Regulation	$I_L = 0$ to $20\text{mA}$		20	50	mV
	Ripple Rejection	$f = 120\text{Hz}$ , $T_j = 25^\circ\text{C}$		66		dB
	Short Circuit Current Limit	$V_{REF} = 0$ , $T_j = 25^\circ\text{C}$		100		mA
$\Delta V_{REF}/\Delta T$	Temperature Stability	Over Operating Temperature range		0.3	1	%
$\Delta V_{REF}$	Long Term Stability	$T_j = 125^\circ\text{C}$ , $t = 1000\text{Hrs}$		20		mV
<b>OSCILLATOR SECTION</b>						
$f_{MAX}$	Maximum Frequency	$C_T = 0.001\mu\text{F}$ , $R_T = 2\text{K}\Omega$		300		KHz
	Initial Accuracy	$R_T$ and $C_T$ Constant		5		%
	Voltage Stability	$V_{IN} = 8$ to $40\text{V}$ , $T_j = 25^\circ\text{C}$			1	%
$\Delta f/\Delta T$	Temperature Stability	Over Operating Temperature Range			2	%
	Output Amplitude	Pin 3, $T_j = 25^\circ\text{C}$		3.5		V
	Output Pulse Width	$C_T = 0.01\mu\text{F}$ , $T_j = 25^\circ\text{C}$		0.5		$\mu\text{s}$
<b>ERROR AMPLIFIER SECTION</b>						
$V_{OS}$	Input Offset Voltage	$V_{CM} = 2.5\text{V}$		2	10	mV
$I_b$	Input Bias Current			2	10	$\mu\text{A}$
$G_V$	Open Loop Voltage Gain		60	80		dB
CMV	Common Mode Voltage	$T_j = 25^\circ\text{C}$	1.8		3.4	V
CMR	Common Mode Rejection	$T_j = 25^\circ\text{C}$		70		dB
B	Small Signal Bandwidth	$A_V = 0\text{dB}$ , $T_j = 25^\circ\text{C}$		3		MHz
$V_O$	Output Voltage	$T_j = 25^\circ\text{C}$	0.5		3.8	V
<b>COMPARATOR SECTION</b>						
	Duty-cycle	% Each Output On	0		45	%
$V_{IT}$	Input Threshold	Zero Duty-cycle		1		V
		Maximum Duty-cycle		3.5		V
$I_b$	Input Bias Current			1		$\mu\text{A}$
<b>CURRENT LIMITING SECTION</b>						
	Sense Voltage	Pin 9 = $2\text{V}$ with Error Amp. Set for Max. Out. $T_j = 25^\circ\text{C}$	180	200	220	mV
	Sense Voltage T.C.			0.2		$\text{mV}/^\circ\text{C}$
CMV	Common Mode Voltage		-1		1	
<b>OUTPUT SECTION(each output)</b>						
	Collector-emitter Voltage		40			V
	Collector Leakage Curr.	$V_{CE} = 40\text{V}$		0.1	50	$\mu\text{A}$
	Saturation Voltage	$I_C = 50\text{mA}$		1	2	V
	Emitter Output Voltage	$V_{IN} = 20\text{V}$	17	18		V
$t_r$	Rise Time	$R_C = 2\text{K}\Omega$ , $T_j = 25^\circ\text{C}$		0.2		$\mu\text{s}$
$t_f$	Fall Time	$R_C = 2\text{K}\Omega$ , $T_j = 25^\circ\text{C}$		0.1		$\mu\text{s}$
$I_q$ (*)	Total Standby Current	$V_{IN} = 40\text{V}$		8	10	mA

(\*) Excluding oscillator charging current, error and current limit dividers, and with outputs open.

Figure 1: Open-loop Voltage Amplification of Error Amplifier vs. Frequency

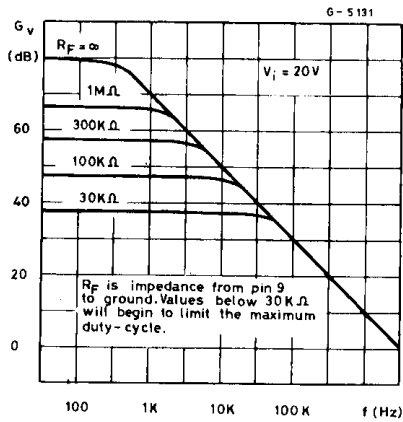


Figure 2: Oscillator Frequency vs. Timing Components

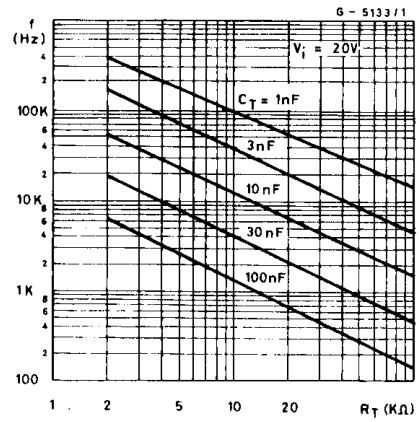


Figure 3: Output Dead Time vs. Timing Capacitance Value

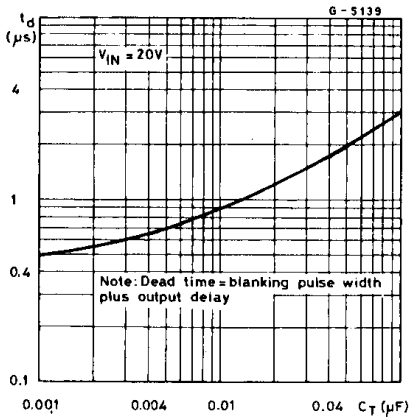


Figure 4: Output Saturation Voltage vs. load Current

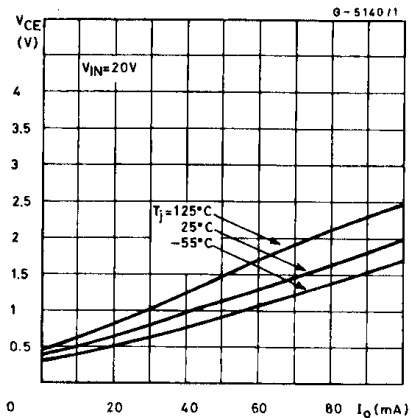
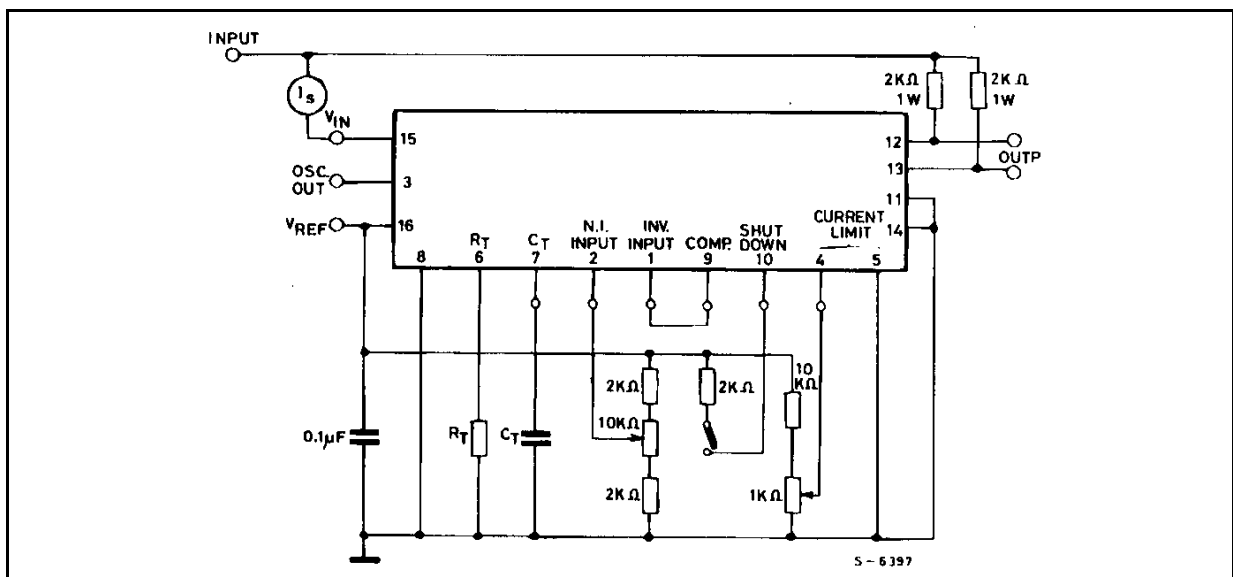


Figure 5: Open Loop Test Circuit



**PRINCIPLES OF OPERATION**

The SG3524 is a fixed frequency pulse-width-modulation voltage regulator control circuit. The regulator operates at a frequency that is programmed by one timing resistor ( $R_T$ ) and one timing capacitor ( $C_T$ ).  $R_T$  established a constant charging current for  $C_T$ . This results in a linear voltage ramp at  $C_T$ , which is fed to the comparator providing linear control of the output pulse width by the error amplifier. The SG3524 contains, an on-board 5V regulator that serves as a reference as well as powering the SG3524's internal control circuitry and is also useful in supplying external support functions. This reference voltage is lowered externally by a resistor divider to provide a reference within the common mode range the error amplifier or an external reference may be used. The power supply output is sensed by a second resistor divider network to generate a feedback signal to error amplifier. The amplifier output voltage is then compared to the linear voltage ramp at  $C_T$ . The resulting modulated pulse out of the high-gain comparator is then steered to the appropriate output pass transistors ( $Q_A$  or  $Q_B$ ) by the pulse-steering flip-flop, which is synchronously toggled by the oscillator output. The oscillator output pulse also serves as a blanking pulse to assure both output are never on simultaneously during the transition times. The width of the blanking pulse is controlled by the value of  $C_T$ . The outputs may be applied in a push-pull configuration in which their frequency is half that of the base oscillator, or paralleled for single-ended applications in which the frequency is equal to that of the oscillator. The output of the error amplifier shares a common input to the comparator with the current limiting at shutdown circuitry and can be overridden by signals from either of these inputs. This common point is also available externally and may be employed to control the gain of, or to compensate, the error amplifier, or to provide additional control to the regulator.

**RECOMMENDED OPERATING CONDITIONS**

Supply voltage $V_{IN}$	8 to 40V
Reference Output Current	0 to 20mA
Current through $C_T$ Terminal	- 0.03 to -2mA
Timing Resistor, $R_T$	1.8 to 100K $\Omega$
Timing Capacitor, $C_T$	0.001 to 0.1 $\mu$ F

**TYPICAL APPLICATIONS DATA**

**OSCILLATOR**

The oscillator controls the frequency of the SG3524 and is programmed by  $R_T$  and  $C_T$  ac-

ording to the approximate formula:

$$f = \frac{1.18}{R_T C_T}$$

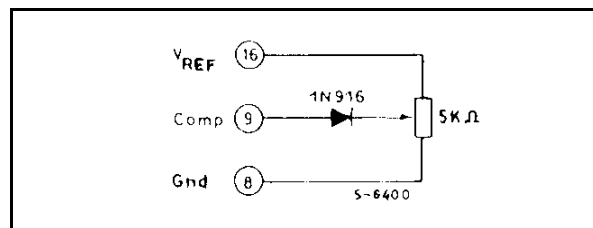
where:  
 $R_T$  is in K $\Omega$   
 $C_T$  is in  $\mu$ F  
 $f$  is in KHz

Practical values of  $C_T$  fall between 0.001 and 0.1 $\mu$ F. Practical values of  $R_T$  fall between 1.8 and 100K $\Omega$ . This results in a frequency range typically from 120Hz to to 500KHz.

**BLANKING**

The output pulse of oscillator is used as a blanking pulse at the output. This pulse width is controlled by the value of  $C_T$ . If small values of  $C_T$  are required for frequency control, the oscillator output pulse width may still be increased by applying a shunt capacitance of up to 100pF from pin 3 to ground. If still greater dead-time is required, it should be accomplished by limiting the maximum duty cycle by clamping the output of the error amplifier. This can easily be done with the circuit below:

Figure 6.



**SYNCHRONOUS OPERATION**

When an external clock is desired, a clock pulse of approximately 3V can be applied directly to the oscillator output terminal. The impedance to ground at this point is approximately 2K $\Omega$ . In this configuration  $R_T$   $C_T$  must be selected for a clock period slightly greater than that the external clock.

If two more SG2524 regulators are to be operated synchronously, all oscillator output terminals should be tied together, all  $C_T$  terminals connected to a single timing capacitor, and timing resistor connected to a single  $R_T$  terminal. The other  $R_T$  terminals can be left open or shorted to  $V_{REF}$ . Minimum lead lengths should be used between the  $C_T$  terminals.

Figure 7: Flyback Converter Circuit.

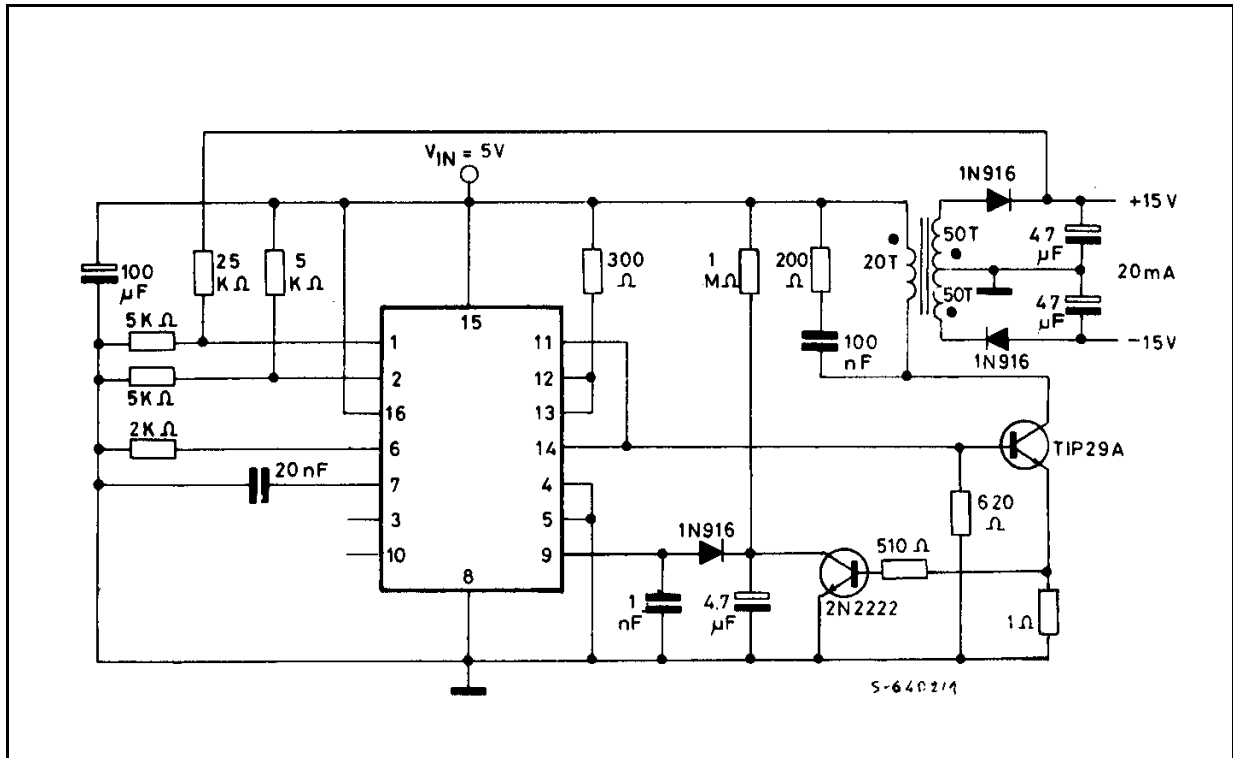
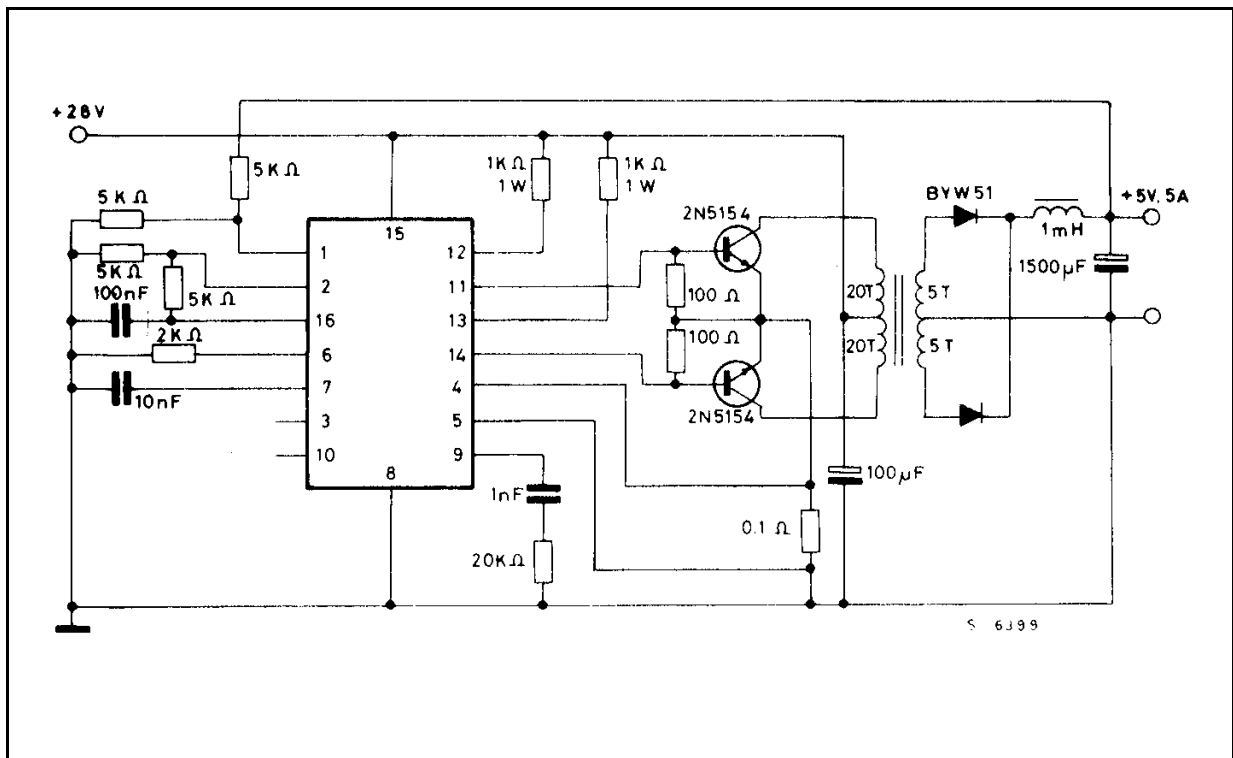
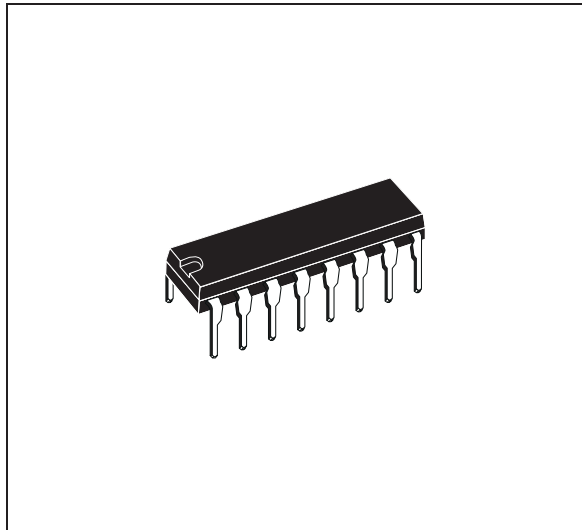


Figure 8: PUSH-PULL Transformer-coupled circuit.

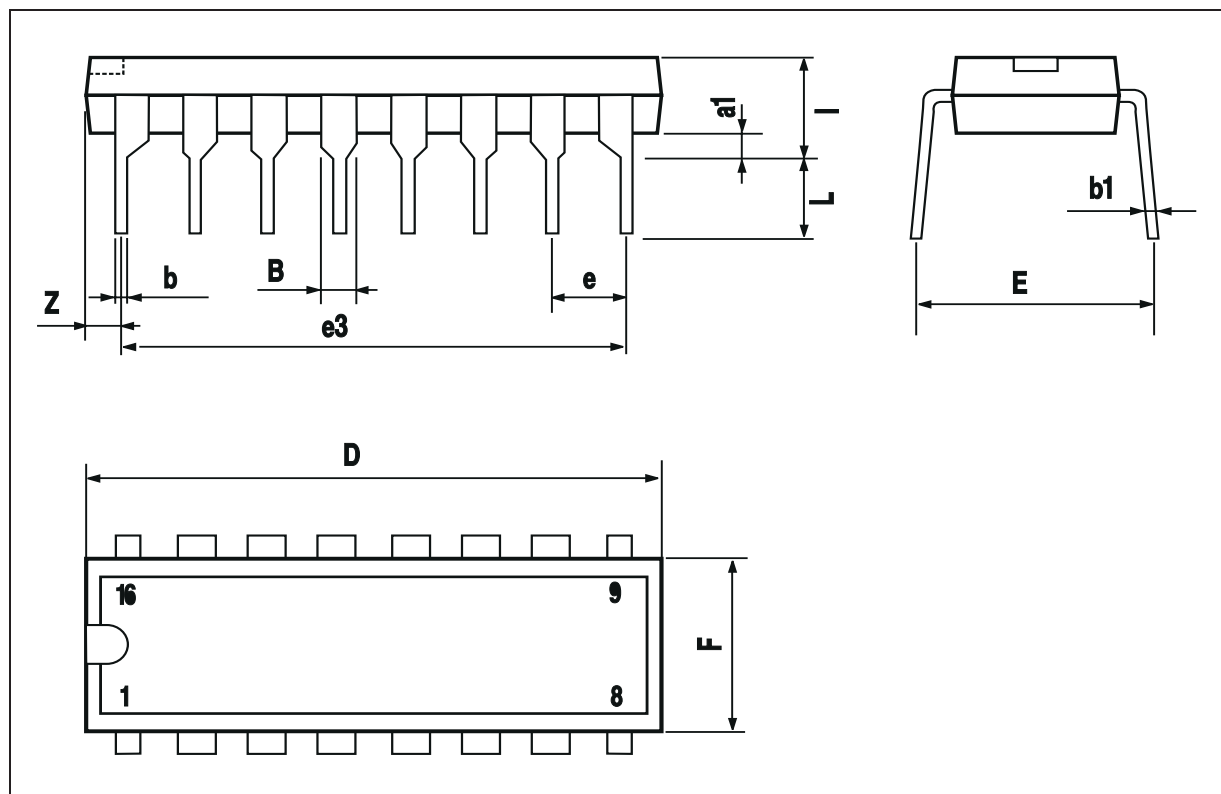


DIM.	mm			inch		
	MIN.	TYP.	MAX.	MIN.	TYP.	MAX.
a1	0.51			0.020		
B	0.77		1.65	0.030		0.065
b		0.5			0.020	
b1		0.25			0.010	
D			20			0.787
E		8.5			0.335	
e		2.54			0.100	
e3		17.78			0.700	
F			7.1			0.280
I			5.1			0.201
L		3.3			0.130	
Z			1.27			0.050

**OUTLINE AND MECHANICAL DATA**

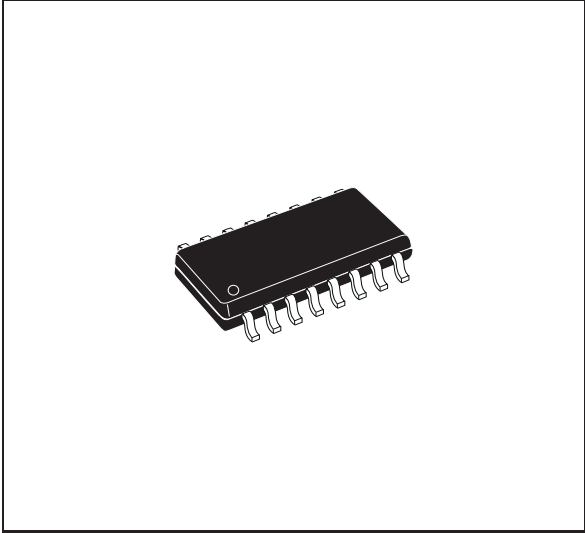


**DIP16**



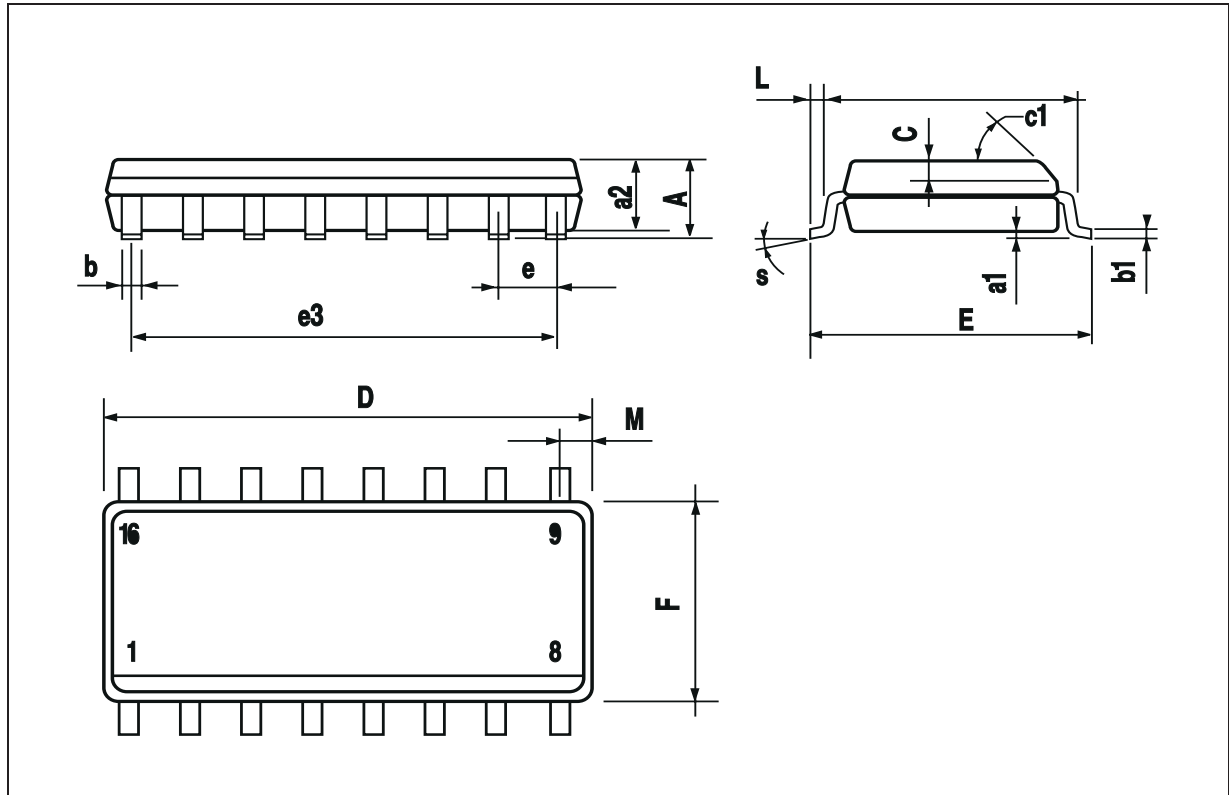
DIM.	mm			inch		
	MIN.	TYP.	MAX.	MIN.	TYP.	MAX.
A			1.75			0.069
a1	0.1		0.25	0.004		0.009
a2			1.6			0.063
b	0.35		0.46	0.014		0.018
b1	0.19		0.25	0.007		0.010
C		0.5			0.020	
c1	45° (typ.)					
D (1)	9.8		10	0.386		0.394
E	5.8		6.2	0.228		0.244
e		1.27			0.050	
e3		8.89			0.350	
F (1)	3.8		4	0.150		0.157
G	4.6		5.3	0.181		0.209
L	0.4		1.27	0.016		0.050
M			0.62			0.024
S	8° (max.)					

**OUTLINE AND MECHANICAL DATA**



**SO16 Narrow**

(1) D and F do not include mold flash or protrusions. Mold flash or protrusions shall not exceed 0.15mm (.006inch).





Information furnished is believed to be accurate and reliable. However, STMicroelectronics assumes no responsibility for the consequences of use of such information nor for any infringement of patents or other rights of third parties which may result from its use. No license is granted by implication or otherwise under any patent or patent rights of STMicroelectronics. Specification mentioned in this publication are subject to change without notice. This publication supersedes and replaces all information previously supplied. STMicroelectronics products are not authorized for use as critical components in life support devices or systems without express written approval of STMicroelectronics.

The ST logo is a registered trademark of STMicroelectronics

© 2000 STMicroelectronics – Printed in Italy – All Rights Reserved

STMicroelectronics GROUP OF COMPANIES

Australia - Brazil - China - Finland - France - Germany - Hong Kong - India - Italy - Japan - Malaysia - Malta - Morocco -  
Singapore - Spain - Sweden - Switzerland - United Kingdom - U.S.A.

<http://www.st.com>

# Mouser Electronics

Authorized Distributor

Click to View Pricing, Inventory, Delivery & Lifecycle Information:

[STMicroelectronics:](#)

[SG3524N](#) [SG3524P](#) [SG3524P013TR](#)