

# LCR 082-RSI

General Purpose Filtered Power Entry Modules with Fuse Holder and **Red Illuminated Switch**



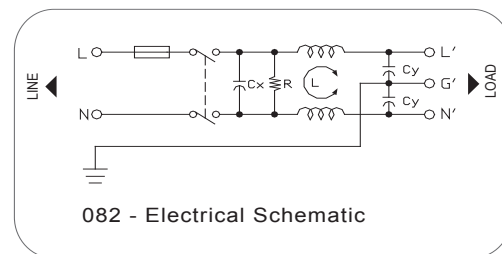
## Features

Compact integrated power entry module with safety fuse and **red illuminated** on/off switch. Easy to use and install with QD tabs or solder terminals. Fuse not included.

## Typical Applications

Electronic equipment, test & measure devices, PC, printers and plotters.

## Electrical Schematic



## Specifications

|                          |                   |
|--------------------------|-------------------|
| Rated Voltage Max. (V)   | 120/250 VAC       |
| Rated Current (A)        | 1-10 A @ 40° C    |
| Operating Frequency (Hz) | 50/60 Hz          |
| Hipot Rating             |                   |
| Line to Line             | 1450 VDC          |
| Line to Ground           | 2250 VDC          |
| Case                     | Plated Steel      |
| Packaging Quantity       | 90 Pcs per Carton |

## Leakage Current

|                 |              |
|-----------------|--------------|
| @ 250 VAC 50 Hz | 0.42 mA Max. |
| @ 115 VAC 60 Hz | 0.23 mA Max. |

IP Class IP 51

Climatic Category (EN-60068-1) 25/85/21

| Model No.*       | Rated Current (A) @ 40° C | Mechanical Diagram | Unit Weight (g) | Terminal Options |             |
|------------------|---------------------------|--------------------|-----------------|------------------|-------------|
|                  |                           |                    |                 | In               | Out         |
| 082.00101.00-RSI | 1                         | A                  | 92              | IEC Inlet Socket | QD 6.35*0.8 |
| 082.00301.00-RSI | 3                         | A                  | 93              | IEC Inlet Socket | QD 6.35*0.8 |
| 082.00302.00-RSI | 3                         | B                  | 93              | IEC Inlet Socket | QD 4.8*0.8  |
| 082.00601.00-RSI | 6                         | A                  | 94              | IEC Inlet Socket | QD 6.35*0.8 |
| 082.01001.00-RSI | 10                        | A                  | 100             | IEC Inlet Socket | QD 6.35*0.8 |

\* Out internal part number may vary

Specifications are subject to change. Consult factory to verify specifications.

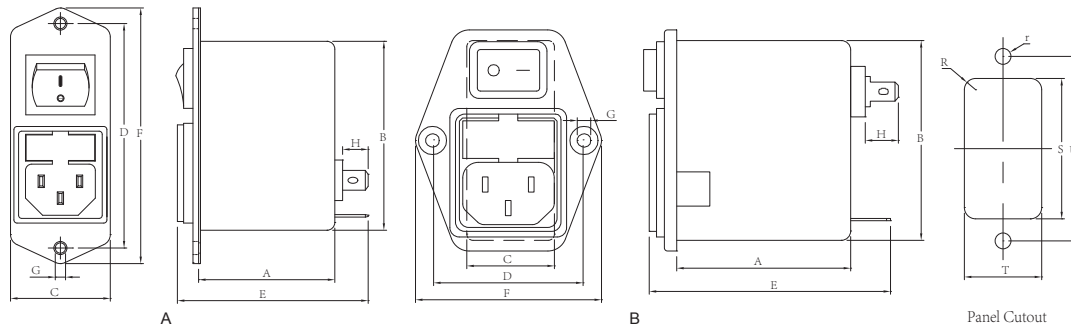
Contact Astrodyne TDI (Radius Power, LCR, & Filter Concepts): (908) 850-5088 or [EMfiltersales@astrodynetdi.com](mailto:EMfiltersales@astrodynetdi.com)

# LCR 082-RSI

General Purpose Filtered Power Entry Modules with Fuse Holder and **Red** Illuminated Switch



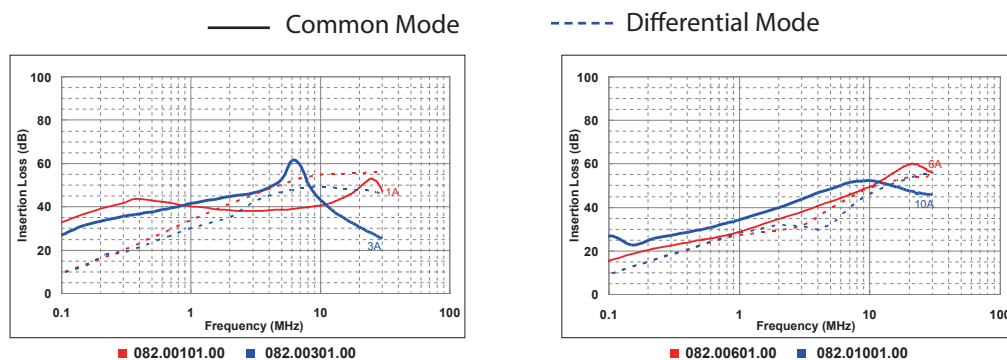
## LCR 082-RSI Mechanical Outlines



## LCR 082-RSI Mechanical Dimensions

| Model No.        | A    | B    | C  | D  | E  | F  | G             | H   | R   | S  | T    | U  | r   |
|------------------|------|------|----|----|----|----|---------------|-----|-----|----|------|----|-----|
| 082.00101.00-RSI | 43.7 | 60.6 | 32 | 72 | 61 | 82 | 2* $\Phi$ 4.0 | 8.8 | 2.5 | 61 | 30.0 | 72 | 2.1 |
| 082.00301.00-RSI | 43.7 | 60.6 | 32 | 72 | 61 | 82 | 2* $\Phi$ 4.0 | 8.8 | 2.5 | 61 | 30.0 | 72 | 2.1 |
| 082.00302.00-RSI | 46.0 | 53.0 | 29 | 40 | 61 | 55 | 2* $\Phi$ 3.2 | 8.5 | 2.5 | 56 | 29.5 | 40 | 1.6 |
| 082.00601.00-RSI | 43.7 | 60.6 | 32 | 72 | 61 | 82 | 2* $\Phi$ 4.0 | 8.8 | 2.5 | 61 | 30.0 | 72 | 2.1 |
| 082.01001.00-RSI | 43.7 | 60.6 | 32 | 72 | 61 | 82 | 2* $\Phi$ 4.0 | 8.8 | 2.5 | 61 | 30.0 | 72 | 2.1 |

## LCR 082-RSI Insertion Loss in dB Measured in a 50 $\Omega$ System



Specifications are subject to change. Consult factory to verify specifications.

Contact Astrodyne TDI (Radius Power, LCR, & Filter Concepts): (908) 850-5088 or [EMfiltersales@astrodynetdi.com](mailto:EMfiltersales@astrodynetdi.com)

# Mouser Electronics

Authorized Distributor

Click to View Pricing, Inventory, Delivery & Lifecycle Information:

[Astrodyne TDI:](#)

[082.01001.00-RSI](#) [082.00101.00-RSI](#) [082.00301.00-RSI](#) [082.00601.00-RSI](#)