



Datasheet

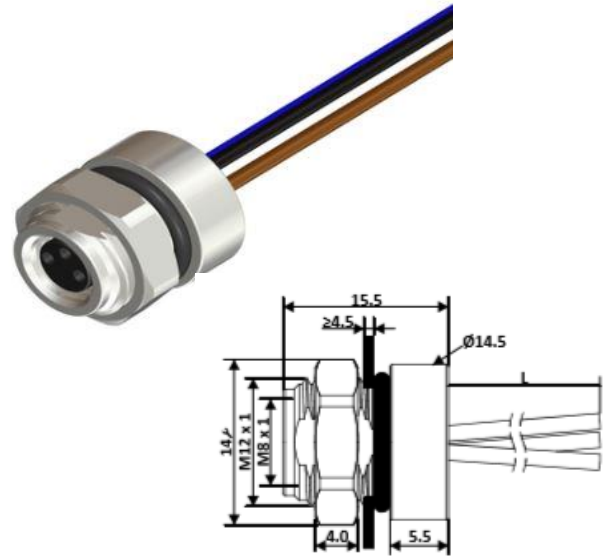
ENGLISH

RS PRO Pre-Wired Female Connector, 3 Contacts, Panel Mount M12, IP67

RS Stock No: 201-7165

General Specification

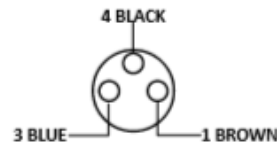
| | |
|---------------------------|----------------------------|
| Rated Operational Voltage | 60 V |
| Current Rating | 3A |
| Insulation Resistance | $\geq 100 \text{ M}\Omega$ |
| Temperature Range | -25°C ... +75°C |
| Degree of Protection | IP67 |
| Mounting | Rear (M12 x 1) |



Material Specification

| | |
|------------------|-----------------|
| Housing Material | Brass Ni Plated |
| Contact | Cu-Zn |
| Contact Plating | Gold Flash |
| Contact Carrier | Nylon 66 |
| O-Ring | Neoprene |
| Pole | 3 |
| Clamp Nut | M12 x 1 |

Pin Assignment



Cable Specification

| | |
|-----------------------|--------------------|
| Cross Section of Wire | 0.25 sq.mm |
| Termination | Partially Stripped |
| Cable length | 500 mm |

Recommended Panel Cutout

