

Surge protection device - S-PT-EX-24DC - 2800034

Please be informed that the data shown in this PDF Document is generated from our Online Catalog. Please find the complete data in the user's documentation. Our General Terms of Use for Downloads are valid (<http://phoenixcontact.com/download>)



Surge protection for one floating signal circuit in screw-on module with IP67 protection for sensor heads, connection M20 x 1.5. Tested in acc. with the protection types in Ex areas Ex d / Ex tD / Ex ia IIC / Ex iaD.

Why buy this product

- Arresters in hexagonal pipe with various outer threads



Key commercial data

Packing unit	1 pc
GTIN	 4 046356 411004
Weight per Piece (excluding packing)	220.9 g
Custom tariff number	85363010
Country of origin	Germany

Technical data

Dimensions

Height	28 mm
Width	28 mm
Depth	79 mm

Ambient conditions

Ambient temperature (operation)	-40 °C ... 80 °C (non-EX)
Degree of protection	IP67

General

Housing material	High-grade steel
Color	silver
Standards for air and creepage distances	IEC 60664-1
	IEC 60079-11

Surge protection device - S-PT-EX-24DC - 2800034

Technical data

General

Mounting type	M20
Type	Screw-in module
Number of positions	2
Direction of action	Line-Line & Line-Earth Ground

Protective circuit

IEC test classification	C1
	C2
	C3
	D1
Nominal voltage U_N	24 V DC
Maximum continuous operating voltage U_C	36 V DC
	25 V AC
Maximum continuous voltage U_C (wire-wire)	36 V DC
	25 V AC
Residual current I_{PE}	$\leq 2 \mu A$
Nominal discharge current I_n (8/20) μs (Core-Core)	260 A
Nominal discharge current I_n (8/20) μs (Core-Earth)	10 kA
Total surge current (8/20) μs	20 kA
Total surge current (10/350) μs	2 kA
Nominal pulse current I_{an} (10/1000) μs (Core-Core)	50 A
Impulse discharge current (10/350) μs , peak value I_{imp}	1 kA
Output voltage limitation at 1 kV/ μs (Core-Core) spike	$\leq 130 V$
Output voltage limitation at 1 kV/ μs (Core-Earth) spike	$\leq 1.1 kV$
Output voltage limitation at 1 kV/ μs (Core-Core) static	$\leq 60 V$
Voltage protection level U_p (core-core)	$\leq 65 V$ (C3 - 10 A)
Voltage protection level U_p (core-ground)	$\leq 1.1 kV$ (C3 - 100 A)
	$\leq 1.1 kV$ (C1 - 1 kV/500 A)
	$\leq 1.2 kV$ (C2 - 10 kV / 5 kA)
Response time t_A (Core-Core)	$\leq 1 ns$
Response time t_A (Core-Earth)	$\leq 100 ns$
Input attenuation a_E , sym.	typ. 0.1 dB (30 MHz / 50 Ω)
	typ. 0.1 dB (6 MHz / 150 Ω)
Cut-off frequency f_g (3 dB), sym. in 50 Ohm system	typ. 70 MHz
Cut-off frequency f_g (3 dB), sym. in 150 Ohm system	typ. 40 MHz
Capacity (Core-Core)	typ. 20 pF
Capacity (Core-Earth)	typ. 5 pF
Surge protection fault message	None
Impulse durability (conductor-conductor)	C3 - 25 A
Impulse durability (conductor-ground)	C1 - 1 kV/500 A
	C2 - 10 kV/5 kA

Surge protection device - S-PT-EX-24DC - 2800034

Technical data

Protective circuit

	C3 - 100 A
	D1 - 1kA
Alternating current carrying capacity (conductor-ground)	10 A - 1 s

Connection data

Connection method	Individual wires
-------------------	------------------

Standards and Regulations

Standards/regulations	EN 61643-21
	EN 60079-0
	EN 60079-1
	EN 60079-11
	EN 60079-26
	EN 61241-0
	EN 61241-1
	EN 61241-11

Classifications

eCl@ss

eCl@ss 4.0	27140201
eCl@ss 4.1	27130801
eCl@ss 5.0	27130801
eCl@ss 5.1	27130801
eCl@ss 6.0	27130807
eCl@ss 7.0	27130807
eCl@ss 8.0	27130807

ETIM

ETIM 2.0	EC000943
ETIM 3.0	EC000943
ETIM 4.0	EC000943
ETIM 5.0	EC000943

UNSPSC

UNSPSC 6.01	30212010
UNSPSC 7.0901	39121610
UNSPSC 11	39121610
UNSPSC 12.01	39121610
UNSPSC 13.2	39121620

Surge protection device - S-PT-EX-24DC - 2800034

Approvals

Approvals

Approvals

EAC

Ex Approvals

IECEX / ATEX

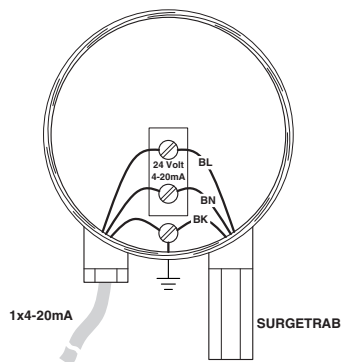
Approvals submitted

Approval details

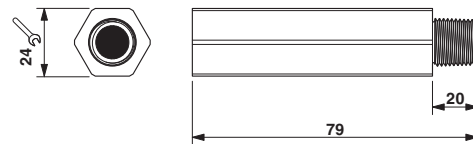
EAC

Drawings

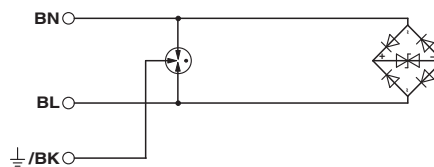
Application drawing



Dimensioned drawing



Circuit diagram



Surge protection device - S-PT-EX-24DC - 2800034

Application drawing

