

# QT-Brightek High Power Series

## 1.0 W High Power IR LED

**Part No.: QBHP684-IR1XU**

**U = 350mA**

**1 = 940nm**

**X = Viewing Angle (X=A:60° ; X=B:120°)**

---

**Table of Contents:**

Introduction .....	3
Electrical / Optical Characteristic (Ta=25 °C) .....	4
Absolute Maximum Rating .....	4
Characteristic Curves.....	5
IR Reflow Soldering Profile .....	6
Packing .....	7
Labeling .....	8
Ordering Information .....	8
Revision History .....	9
Disclaimer .....	9

Product: QBHP684-IR1XU	Date: September 07, 2022	Page 2 of 9
	Version# 1.2	

## Introduction

### Feature:

- 1W High Bright IR LED
- Packed in tape and reel
- High radiant power output
- Viewing Angle 60° typ. (QBHP684-IR1AU)
- Viewing Angle 120° typ. (QBHP684-IR1BU)
- Isolated Heat Slug

### Description:

This 1W high power IR LED has compact size of 3.5 x 3.5mm. It is ideal for both infrared sensing applications.

### Application:

- Data transmission
- Sensing
- Remote control

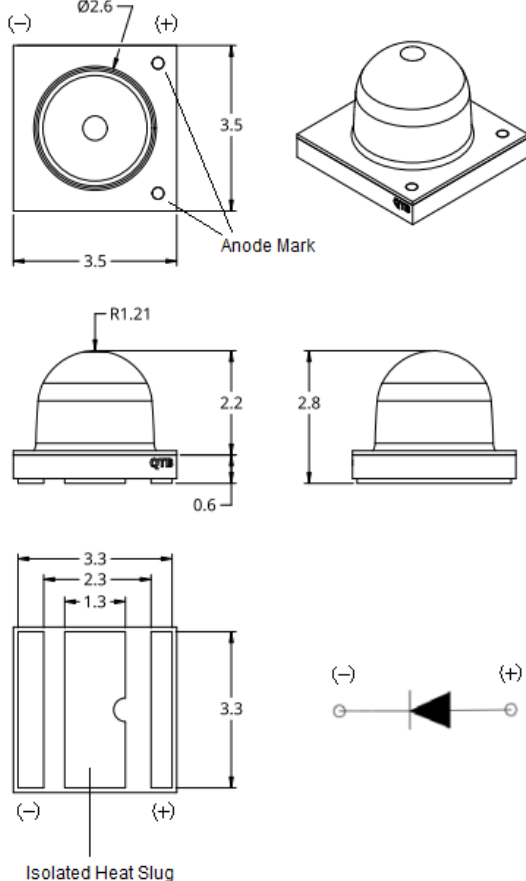
### Certification & Compliance:

- ISO9001
- RoHS Compliant

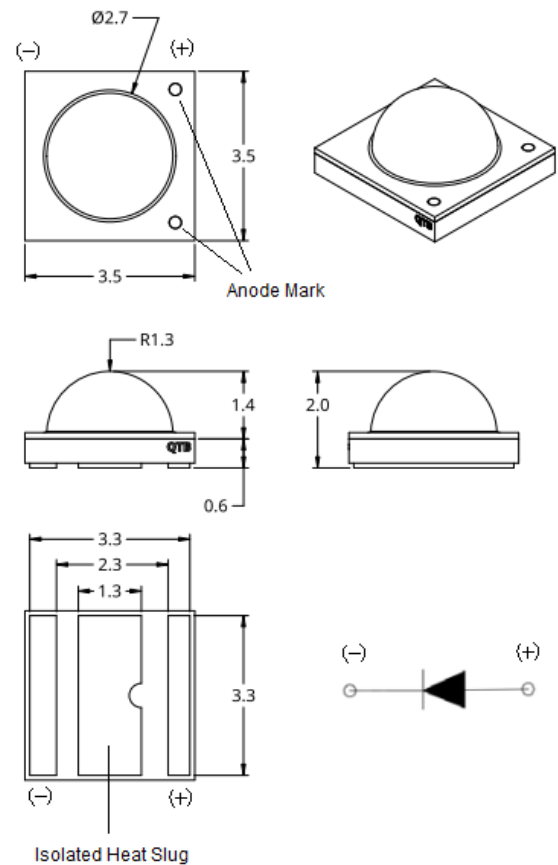


## Outline Dimensions:

60°



120°



Units: mm / tolerance = +/-0.2mm

Product: QBHP684-IR1XU	Date: September 07, 2022	Page 3 of 9
	Version# 1.2	

**Electrical / Optical Characteristic (Ta=25 °C)**

Product Number	Color	I <sub>F</sub> (mA)	V <sub>F</sub> (V)			λ <sub>p</sub> (nm)			P <sub>O</sub> (mW)	
			Min.	Typ.	Max.	Min.	Typ.	Max.	Min.	Typ.
QBHP684-IR1AU	Infrared	350	1.3	1.7	2.2	930	940	950	100	200
QBHP684-IR1BU										

**Absolute Maximum Rating**

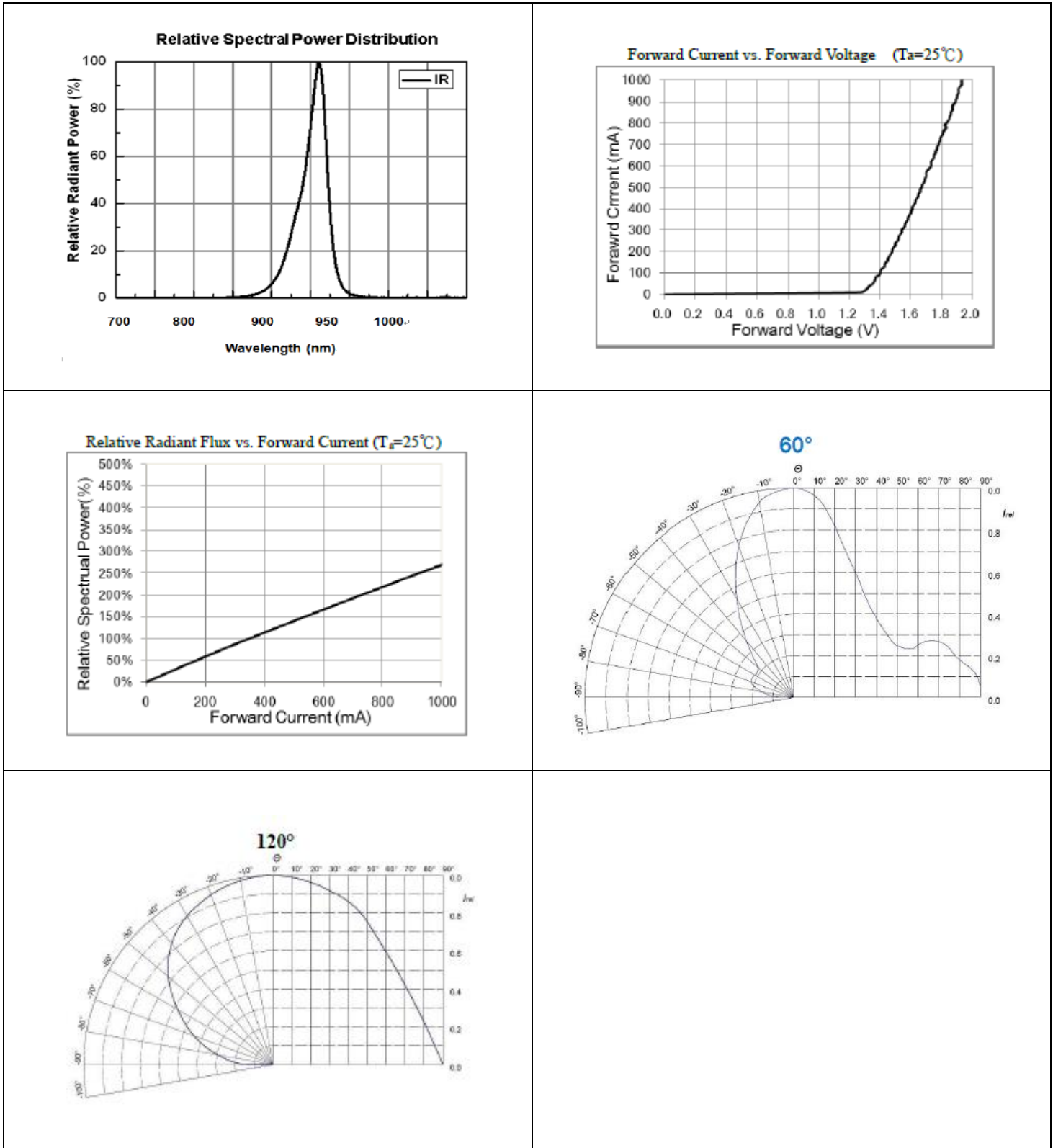
P <sub>d</sub> (W)	I <sub>F</sub> (mA)	I <sub>FP</sub> (mA)	V <sub>R</sub> (V)	T <sub>OP</sub> (°C)	T <sub>ST</sub> (°C)	T <sub>SOL</sub> (°C)
1.68	700	1000	5	-40 to +85	-40 to +100	260

**Radiometric Power P<sub>O</sub> @ I<sub>F</sub>=350mA**

Bin	Min.	Max.	Unit
P10	100	150	mW
P15	150	200	
P25	200	250	

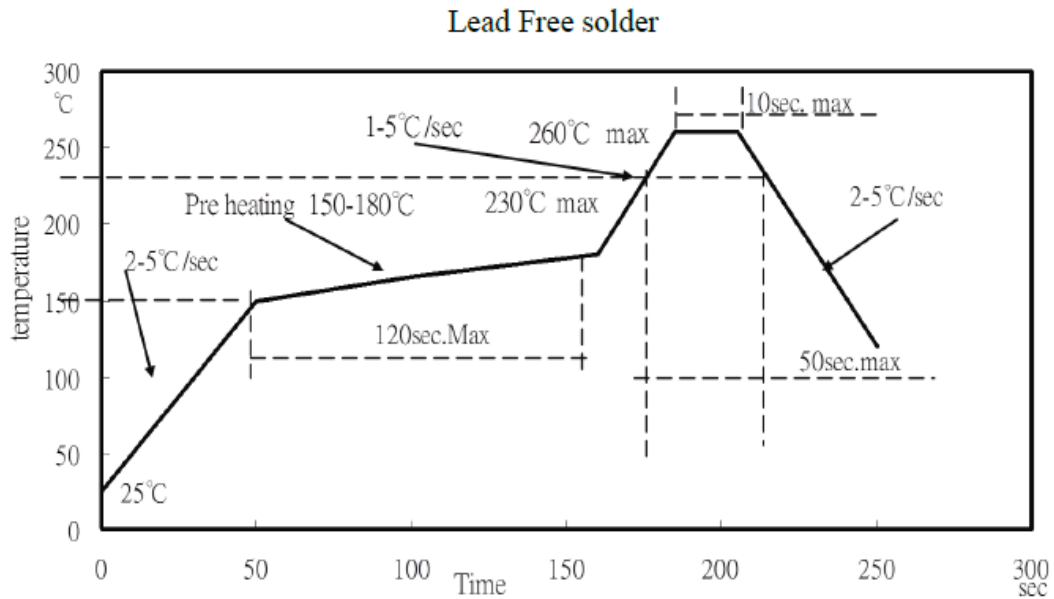
Product: QBHP684-IR1XU	Date: September 07, 2022	Page 4 of 9
	Version# 1.2	

## Characteristic Curves

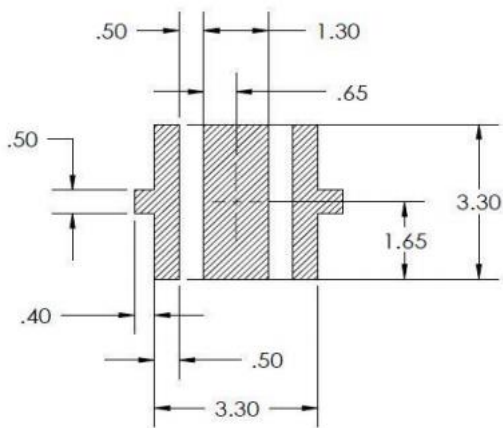


Product: QBHP684-IR1XU	Date: September 07, 2022	Page 5 of 9
	Version# 1.2	

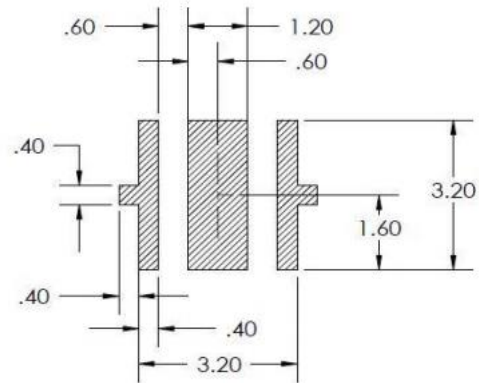
**IR Reflow Soldering Profile**



**Recommended Soldering Pad:**



RECOMMENDED PCB SOLDER PAD



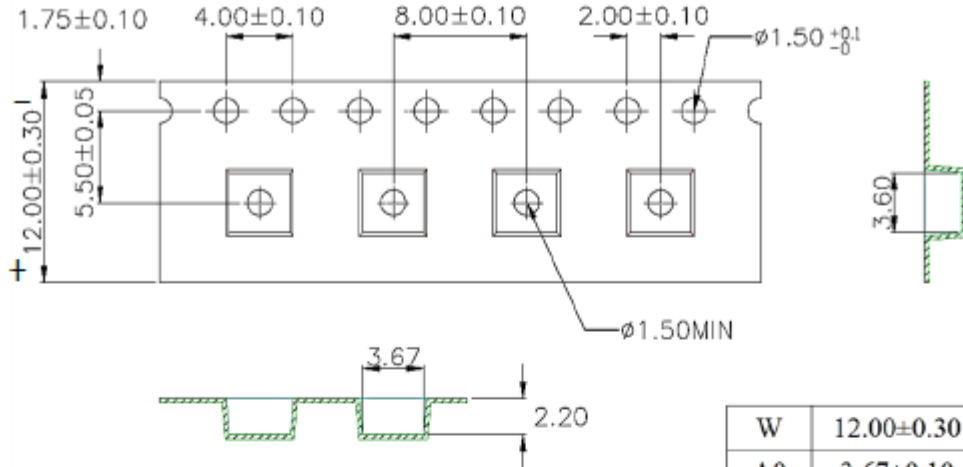
RECOMMENDED STENCIL PATTERN  
(HATCHED AREA IS OPENING)

Unit: mm

Product: QBHP684-IR1XU	Date: September 07, 2022	Page 6 of 9
	Version# 1.2	

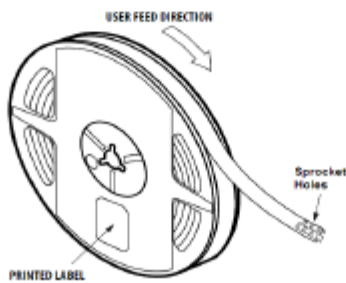
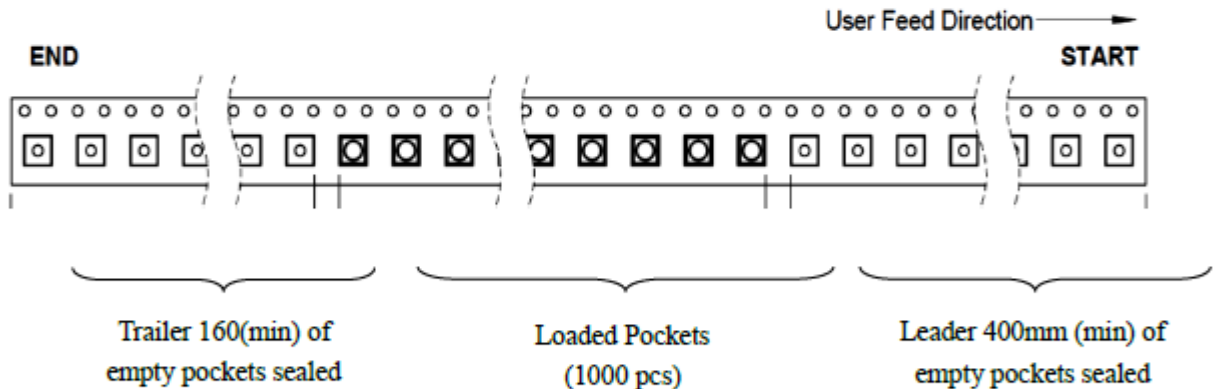
## Packing

### Tape and Reel:



1. 10 sprocket hole pitch cumulative tolerance  $\pm 0.20$ .
2. Carrier camber is within 1 mm in 250 mm.
3. Material : Black Conductive Polystyrene Alloy.
4. All dimensions meet EIA-481-D requirements.
5. Thickness :  $0.30 \pm 0.05$ mm.

W	12.00±0.30
A0	3.67±0.10
B0	3.60±0.10
K0	2.20±0.10



Unit: mm

Product: QBHP684-IR1XU	Date: September 07, 2022	Page 7 of 9
	Version# 1.2	

**Labeling**

Part No: \_\_\_\_\_

Customer P/N: \_\_\_\_\_

Item: \_\_\_\_\_

Q'ty: \_\_\_\_\_

Vf: \_\_\_\_\_

Iv: \_\_\_\_\_

WI: \_\_\_\_\_

Date: \_\_\_\_\_

**Made in Taiwan****Ordering Information**

Part #	Orderable Part #	Spec Range	Quantity per reel
QBHP684-IR1AU	QBHP684-IR1AU	P <sub>o</sub> =200mW typ., λ <sub>p</sub> =940nm typ. @ I <sub>F</sub> =350mA, V <sub>A</sub> =60°	500
QBHP684-IR1BU	QBHP684-IR1BU	P <sub>o</sub> =200mW typ., λ <sub>p</sub> =940nm typ. @ I <sub>F</sub> =350mA, V <sub>A</sub> =120°	1000

Product: QBHP684-IR1XU	Date: September 07, 2022	Page 8 of 9
	Version# 1.2	



**Revision History**

Description:	Revision #	Revision Date
New Release of QBHP684-IR1XU	V1.0	03/24/2016
Update drawing dimension	V1.1	09/08/2016
Update the drawing in the outline dimensions section	V1.2	09/07/2022

**Disclaimer**

QT-BRIGHTTEK reserves the right to make changes without further notice to any products herein to improve reliability, function or design. QT-BRIGHTTEK does not assume any liability arising out of the application or use of any product or circuit described herein; neither does it convey any license under its patent rights, nor the rights of others.

**Life Support Policy**

QT-BRIGHTTEK's products are not authorized for use as critical components in life support devices or systems without the express written approval of QT-BRIGHTTEK. As used herein:

1. Life support devices or systems are devices or systems which, (a) are intended for surgical implant into the body, or (b) support or sustain life, and (c) whose failure to perform when properly used in accordance with instructions for use provided in the labeling, can be reasonably expected to result in a significant injury of the user.
2. A critical component in any component of a life support device or system whose failure to perform can be reasonably expected to cause the failure of the life support device or system, or to affect its safety or effectiveness.

Product: QBHP684-IR1XU	Date: September 07, 2022	Page 9 of 9
	Version# 1.2	