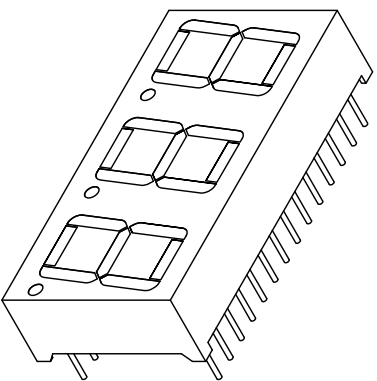
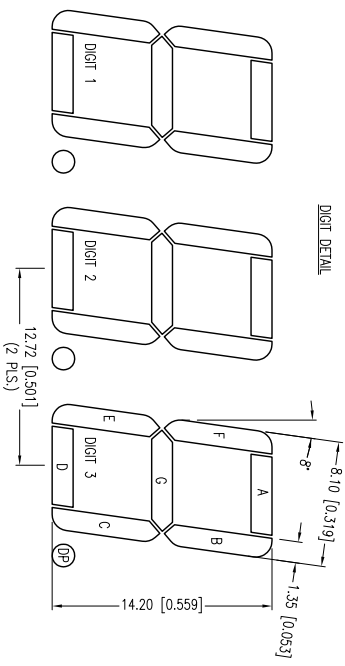
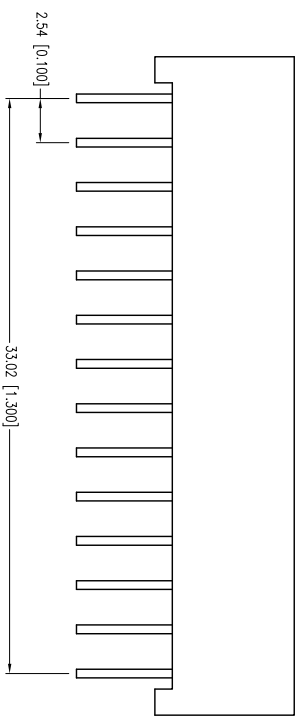
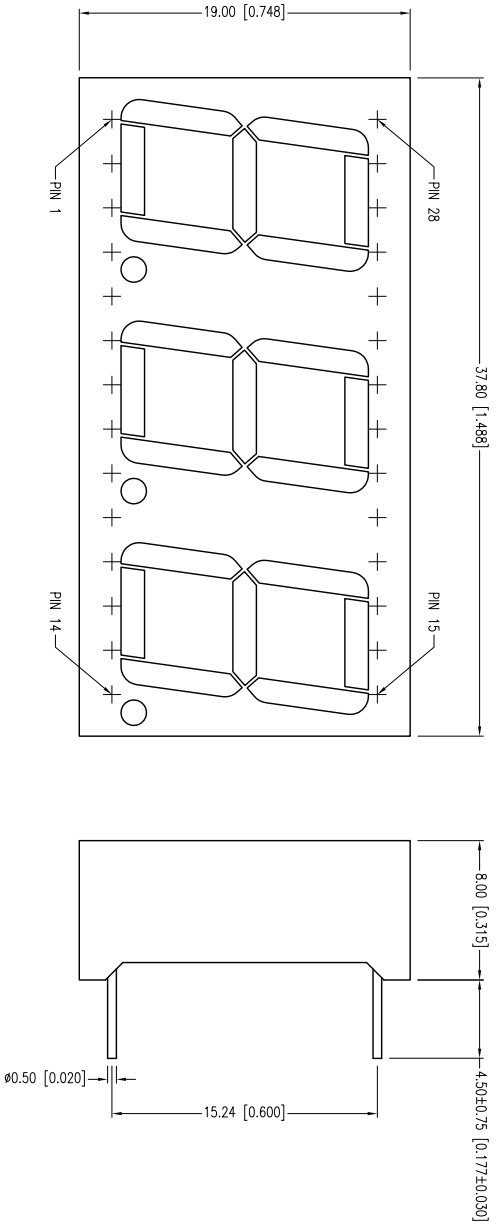


PART NUMBER		LDT-C512R1		REV.	E
DATE	02.28.96	E.C.N. #10128.	E.C.N. NUMBER AND REVISION COMMENTS		
	05.10.96	E.C.N. #10164.	REV.		
	04.22.98	REDRAWN.	A		
	12.06.99	E.C.N. #10BRDR.	B		
	08.23.12	E.C.N. #10BRDR. & REDRAWN.	C		
			D		
			E		



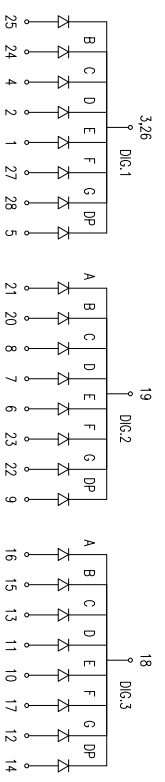
ELECTRO-OPTICAL CHARACTERISTICS $T_0=25^{\circ}\text{C}$

PARAMETER	MIN	TYP	MAX	UNITS	TEST COND
PEAK WAVELENGTH		565		nm	
FORWARD VOLTAGE		2.2	2.6	V _f	$I_f=100\mu\text{A}$
REVERSE VOLTAGE	5.0			V _r	
AXIAL INTENSITY			3500	μcd	$I_f=10\text{mA}$
EMITTED COLOR:		GREEN			
FACE COLOR:		GRAY			
LENS FINISH:		MILKY WHITE DIFFUSED			

LIMITS OF SAFE OPERATION AT 25°C

PARAMETER	MAX	UNITS
PEAK FORWARD CURRENT*	150	mA
STEADY CURRENT	25	mA
POWER DISSIPATION	105	mW
DERATE FROM 25°C	-1.2	mW/°C
OPERATING TEMP.	-40 TO +85	°C
STORAGE TEMP.	-40 TO +85	°C
SOLDERING TEMP.	+260	°C
2.0mm FROM BODY	3	SEC.

* I<100μS



*UNLESS OTHERWISE SPECIFIED TOLERANCES PER DECIMAL PRECISION ARE: X=±1 (±0.029), X.X=±0.5 (±0.020), X.XX=±0.25 (±0.010), X.XXX=±0.127 (±0.005), LEAD SIZE=±0.05 (±0.002), LEAD LENGTH=±0.75 (±0.030), MIN.= -0.00, DECIMAL PRECISION MAX.= +0.00, DECIMAL PRECISION

QUASARBRITTE 0.56" 3 DIGIT 7 SEGMT DISPLAY, 565nm GREEN, COMMON CATHODE.

LUMEX
Creating LED and LCD Solutions Together™
390 E. HELEN ROAD
PALATKA, IL 60067-6976
PHONE: +1.847.359.2790
FAX: +1.847.359.6538
WEB: WWW.LUMEX.COM
MEMBER OF ITW PHOTONICS GROUP

CONFIDENTIAL INFORMATION
THE INFORMATION CONTAINED IN THIS DOCUMENT IS THE PROPERTY OF LUMEX INC. EXCEPT AS SPECIFICALLY AUTHORIZED IN WRITING BY LUMEX INC., THE HOLDER OF THIS DOCUMENT SHALL KEEP ALL INFORMATION CONTAINED HEREIN CONFIDENTIAL AND SHALL PROTECT SAME IN WHOLE OR IN PART FROM DISCLOSURE AND DISSEMINATION TO ALL THIRD PARTIES.

UNCONTROLLED DOCUMENT
DATE: 08.23.12 DRAWN BY: AB
PAGE: 1 OF 1 CHKD BY: SS
SCALE: NTS APRVD BY: SS
UNIT: mm [INCH]