

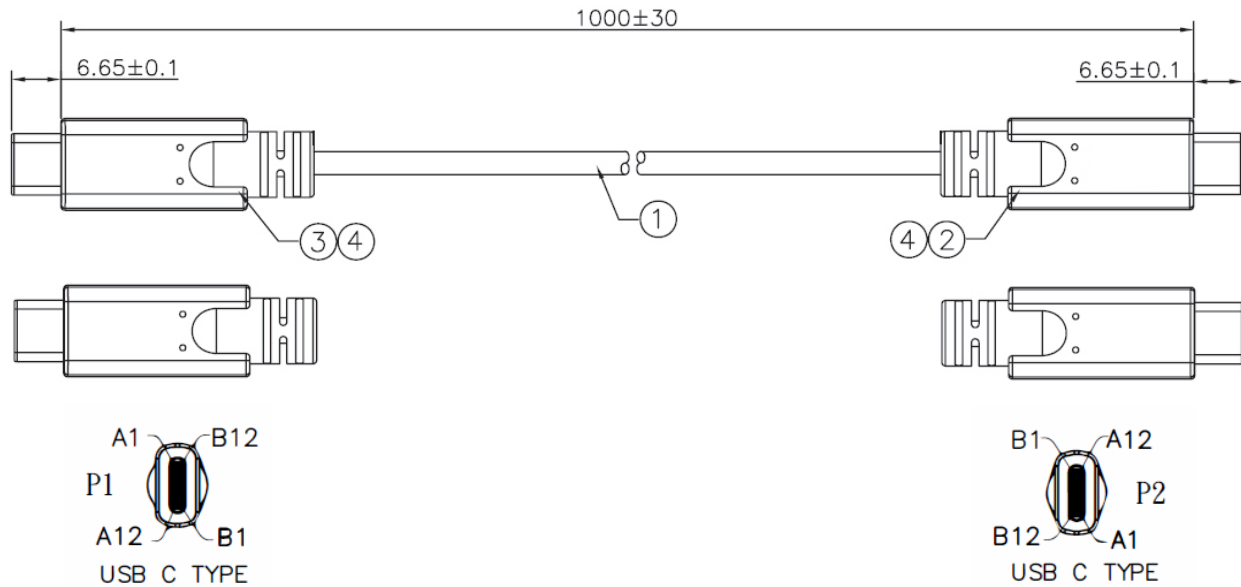
ELECTRONIC TEST

- OPEN / SHORT / INTERMITTENCE 100% TEST
- VOLTAGE: 300VDC
- CONTACT RESISTANCE: 3.0Ω MAXIMUM
- INSULATION RESISTANCE:10 MΩ MINIMUM
- VOLTAGE: 20V, CURRENT: 5A
- 10 nF BYPASS CAPACITOR IS REQUIRED FOR THE VBUS PIN IN THE USB TYPE-C PLUG GND OF THE CABLE.

**RoHS
Compliant**

includes all homogeneous materials

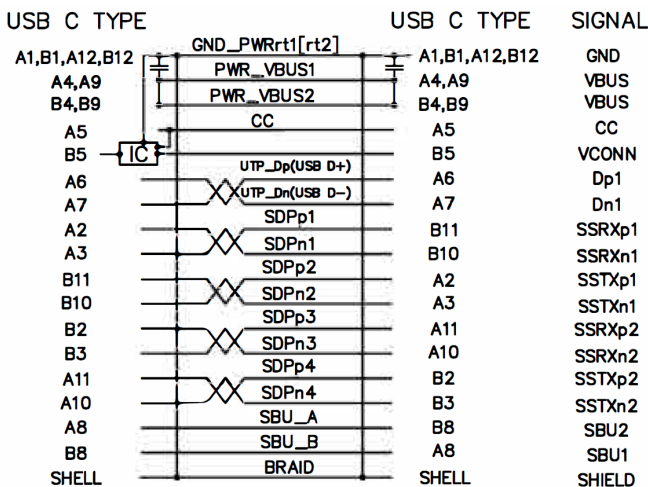
*See Part Number System for Details



MATERIALS

1. USB3.1 UL2725 (30AWG*1 P+EAM)*4+(32AWG*1 P+AM)+32AWG*4C +24AWG*2C+E+AEB+PVC JACKET OD:4.8MM BLACK
2. USB C TYPE PLUG CONTACT PIN 30U',WHITE INSULATION, Deep Drawn Shell NICKEL (IC:RT1710 or EQUIVALENT)
3. USB C TYPE PLUG CONTACT PIN 30U',WHITE INSULATION, Deep Drawn Shell NICKEL
4. TPE BLACK

PIN ASSIGNMENT



PART NUMBERING SYSTEM

NUCA 3.1 CM 5A CM 1R00 B E F
1 2 3 4 5 6 7 8 9

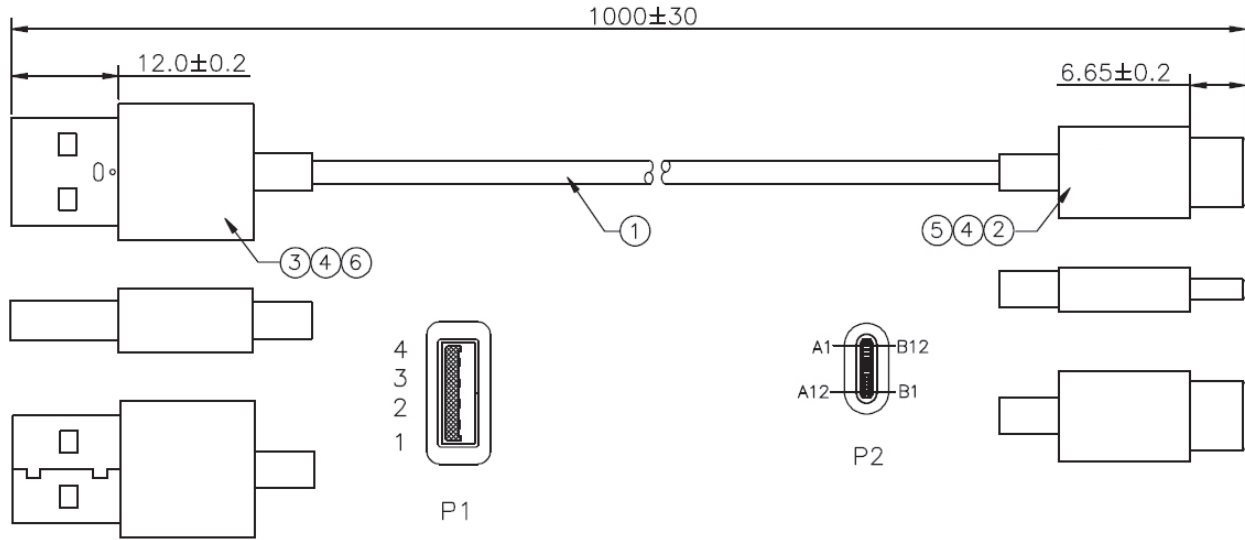
1. NUCA = NIC USB Cable Assembly
2. 3.1 = USB Version 3.1
3. CM = C type Male for conn. 1
4. 5A = 5.0 Amp rating
5. CM = C type male for conn. 2
6. 1R00 = 1 meter length (4 digit code)
7. B = Black color
8. E = E-marked device (blank if not applicable)
9. F = RoHS Compliant

ELECTRONIC TEST

- OPEN / SHORT / INTERMITTENCE 100% TEST
- HI-POT: 100VAC / 0.02 SECOND
- INSULATION RESISTANCE: 5 MΩ MINIMUM @ 300VDC/0.01 SECOND
- CONDUCTIVE RESISTANCE: 3 Ω MAXIMUM
- PIN A5 OF THE USB TYPE-C PLUG SHOULD BE CONNECTED TO VBUS THROUGH A RESISTOR 'Rp' (Rp = 56KΩ ±20%)

RoHS
Compliant
 includes all homogeneous materials

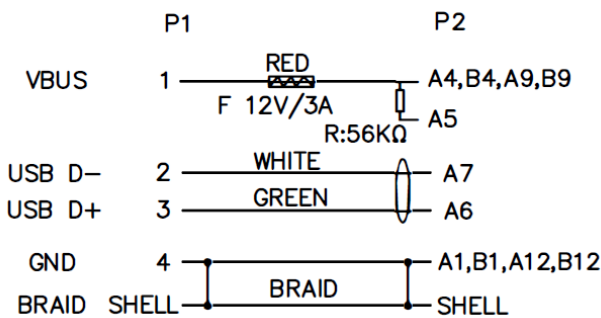
*See Part Number System for Details



MATERIALS

1. CABLE: NO-UL 30A WG(11/0.08 TC)*1P+22AWG(65/0.08 TC)*1C+FILLER+AI/MY+B(85% TC)+TPE JACKET OD: 3.5MM BLACK
2. CONN 1: USB TYPE C PLUG SOLDER TYPE CONTACT PIN G/F WHITE INSULATION, SHELL NI PLATED
3. CONN 2: USB 2.0 AM SOLDER TYPE CONTACT PIN G/F WHITE INSULATION, SHELL NI-PLATED
4. SR MOLD: 76A TPE BLACK
5. OVER MOLD: 73D TPE BLACK
6. INNER MOLD: PP WHITE

PIN ASSIGNMENT



PART NUMBERING SYSTEM

NUCA 2.0 AM 3A CM 1R00 B E
 1 2 3 4 5 6 7 8

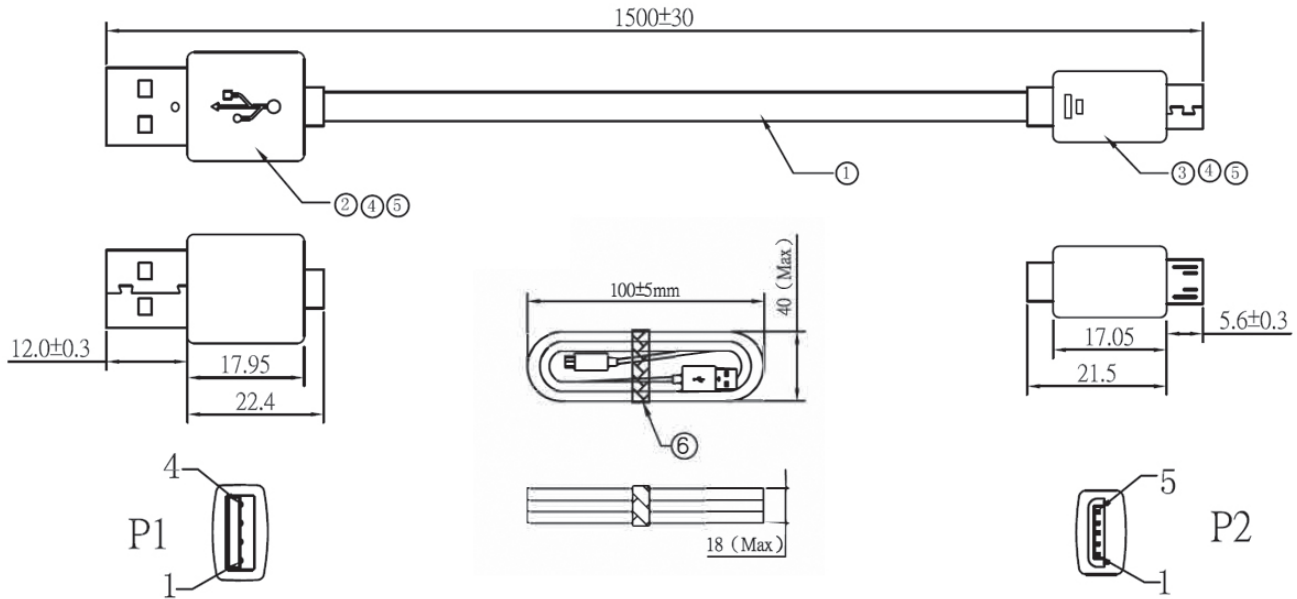
1. NUCA = NIC USB Cable Assembly
2. 2.0 = USB Version 2.0
3. AM = A type Male for conn. 1
4. 3A = 3.0 Amp rating
5. CM = C type male for conn. 2
6. 1R00 = 1 meter length (4 digit code)
7. B = Black color
8. F = RoHS Compliant

ELECTRONIC TEST

- OPEN / SHORT / INTERMITTENCE 100% TEST
- HI-POT: 100VAC / 0.02 SECOND, 2mA MAX.
- INSULATION RESISTANCE: 10 MΩ MINIMUM @ 300VDC / 0.02 SECOND
- CONDUCTIVE RESISTANCE: 3 Ω MAXIMUM

**RoHS
Compliant**
includes all homogeneous materials

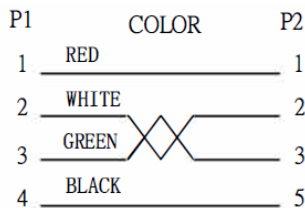
*See Part Number System for Details



MATERIALS

1. CABLE: UL2725 30AWG*1P+24AWG*2C+A OD=3.5MM BLACK PVC (VW-1 RATED)
2. CONN 1: USB AIM ,CONTACT G/F" ,SHELL NI PLATED, BLACK INSULATION
3. CONN 2: MICRO USB B/M,CONTACT G/F ,SHELL NI PLATED, BLACK INSULATION
4. OUTER MOLD: 55P PVC BLACK UL94 V-0 (ROHS&REACH)
5. INNER MOLD: PP
6. VELCRO

PIN ASSIGNMENT



PART NUMBERING SYSTEM

NUCA 2.0 AM 3A UBM 1R50 B V F
1 2 3 4 5 6 7 8 9

1. NUCA = NIC USB Cable Assembly
2. 2.0 = USB Version 2.0
3. AM = A type Male conn. 1
4. 3A = 3.0 Amp rating
5. UBM = Micro B type male conn. 2
6. 1R50 = 1.5 meter length (4 digit code)
7. B = Black color
8. V = Velcro Wrapped
9. F = RoHS Compliant