

# Thick Film SMD Resistors, 0805, Reel



## FEATURES:

Small size and lightweight

Suitable for both flow and re-flow soldering

Matching with placement machines

## SPECIFICATION:

Housing type	0805
Rated output	0.125 W
Resistor type	Thick film
Rated voltage	150 V
Temperature range	-55...+155 °C
Dimensions L x W x H	2.0 x 1.25 x 0.55 mm

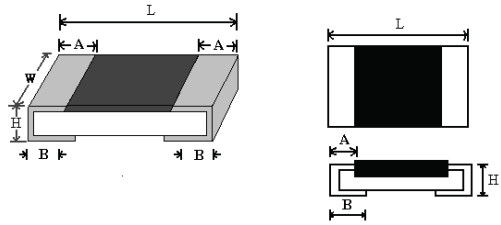
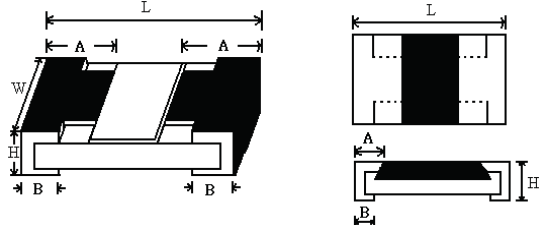
Art. Nr.	Resistance	Temperature coefficient	Tolerance
RND 1550805S8F1000T5E REEL	100 Ω	200 ppm/°C	1%
RND 1550805S8F1001T5E REEL	1 kΩ	100 ppm/°C	1%
RND 1550805S8F1002T5E REEL	10 kΩ	100 ppm/°C	1%
RND 1550805S8F1003T5E REEL	100 kΩ	100 ppm/°C	1%
RND 1550805S8F1004T5E REEL	1 MΩ	100 ppm/°C	1%
RND 1550805S8F100JT5E REEL	10 Ω	200 ppm/°C	1%
RND 1550805S8F1200T5E REEL	120 Ω	100 ppm/°C	1%
RND 1550805S8F1201T5E REEL	1.2 kΩ	100 ppm/°C	1%
RND 1550805S8F1203T5E REEL	120 kΩ	100 ppm/°C	1%
RND 1550805S8F1300T5E REEL	130 Ω	100 ppm/°C	1%
RND 1550805S8F1500T5E REEL	150 Ω	100 ppm/°C	1%
RND 1550805S8F1501T5E REEL	1.5 kΩ	100 ppm/°C	1%
RND 1550805S8F1502T5E REEL	15 kΩ	100 ppm/°C	1%
RND 1550805S8F1503T5E REEL	150 kΩ	100 ppm/°C	1%
RND 1550805S8F1504T5E REEL	1.5 MΩ	100 ppm/°C	1%
RND 1550805S8F150KT5E REEL	1.5 Ω	400 ppm/°C	1%
RND 1550805S8F1803T5E REEL	180 kΩ	100 ppm/°C	1%
RND 1550805S8F180JT5E REEL	18 Ω	200 ppm/°C	1%
RND 1550805S8F180KT5E REEL	1.8 Ω	400 ppm/°C	1%
RND 1550805S8F2001T5E REEL	2 kΩ	100 ppm/°C	1%
RND 1550805S8F2200T5E REEL	220 Ω	100 ppm/°C	1%
RND 1550805S8F2201T5E REEL	2.2 kΩ	100 ppm/°C	1%
RND 1550805S8F2202T5E REEL	22 kΩ	100 ppm/°C	1%
RND 1550805S8F220JT5E REEL	22 Ω	200 ppm/°C	1%
RND 1550805S8F2403T5E REEL	240 kΩ	100 ppm/°C	1%
RND 1550805S8F240JT5E REEL	24 Ω	200 ppm/°C	1%
RND 1550805S8F2701T5E REEL	2.7 kΩ	100 ppm/°C	1%
RND 1550805S8F2702T5E REEL	27 kΩ	100 ppm/°C	1%
RND 1550805S8F3300T5E REEL	330 Ω	100 ppm/°C	1%
RND 1550805S8F3301T5E REEL	3.3 kΩ	100 ppm/°C	1%
RND 1550805S8F3302T5E REEL	33 kΩ	100 ppm/°C	1%
RND 1550805S8F3303T5E REEL	330 kΩ	100 ppm/°C	1%
RND 1550805S8F330JT5E REEL	33 Ω	200 ppm/°C	1%
RND 1550805S8F3900T5E REEL	390 Ω	100 ppm/°C	1%
RND 1550805S8F3901T5E REEL	3.9 kΩ	100 ppm/°C	1%
RND 1550805S8F3902T5E REEL	39 kΩ	100 ppm/°C	1%
RND 1550805S8F4700T5E REEL	470 Ω	100 ppm/°C	1%
RND 1550805S8F4701T5E REEL	4.7 kΩ	100 ppm/°C	1%
RND 1550805S8F4702T5E REEL	47 kΩ	100 ppm/°C	1%
RND 1550805S8F5100T5E REEL	510 Ω	100 ppm/°C	1%
RND 1550805S8F5601T5E REEL	5.6 kΩ	100 ppm/°C	1%
RND 1550805S8F560KT5E REEL	5.6 Ω	400 ppm/°C	1%
RND 1550805S8F6800T5E REEL	680 Ω	100 ppm/°C	1%
RND 1550805S8F6801T5E REEL	6.8 kΩ	100 ppm/°C	1%
RND 1550805S8F680KT5E REEL	6.8 Ω	400 ppm/°C	1%
RND 1550805S8F7501T5E REEL	7.5 kΩ	100 ppm/°C	1%

RND 1550805S8F750JT5E REEL	75 $\Omega$	200 ppm/ $^{\circ}$ C	1%
RND 1550805S8F8200T5E REEL	820 $\Omega$	100 ppm/ $^{\circ}$ C	1%
RND 1550805S8F8201T5E REEL	8.2 k $\Omega$	100 ppm/ $^{\circ}$ C	1%
RND 1550805S8F820KT5E REEL	8.2 $\Omega$	400 ppm/ $^{\circ}$ C	1%
RND 1550805S8F910JT5E REEL	91 $\Omega$	200 ppm/ $^{\circ}$ C	1%
RND 1550805S8J0000T5E REEL	0 $\Omega$	0 ppm/ $^{\circ}$ C	0%
RND 1550805S8J0101T5E REEL	100 $\Omega$	200 ppm/ $^{\circ}$ C	5%
RND 1550805S8J0102T5E REEL	1 k $\Omega$	100 ppm/ $^{\circ}$ C	5%
RND 1550805S8J0103T5E REEL	10 k $\Omega$	100 ppm/ $^{\circ}$ C	5%
RND 1550805S8J0105T5E REEL	1 M $\Omega$	100 ppm/ $^{\circ}$ C	5%
RND 1550805S8J0152T5E REEL	1.5 k $\Omega$	100 ppm/ $^{\circ}$ C	5%
RND 1550805S8J0153T5E REEL	15 k $\Omega$	100 ppm/ $^{\circ}$ C	5%
RND 1550805S8J0201T5E REEL	200 $\Omega$	100 ppm/ $^{\circ}$ C	5%
RND 1550805S8J0222T5E REEL	2.2 k $\Omega$	100 ppm/ $^{\circ}$ C	5%
RND 1550805S8J0223T5E REEL	22 k $\Omega$	100 ppm/ $^{\circ}$ C	5%
RND 1550805S8J0272T5E REEL	2.7 k $\Omega$	100 ppm/ $^{\circ}$ C	5%
RND 1550805S8J0333T5E REEL	33 k $\Omega$	100 ppm/ $^{\circ}$ C	5%
RND 1550805S8J0391T5E REEL	390 $\Omega$	100 ppm/ $^{\circ}$ C	5%
RND 1550805S8J0472T5E REEL	4.7 k $\Omega$	100 ppm/ $^{\circ}$ C	5%
RND 1550805S8J0512T5E REEL	5.1 k $\Omega$	100 ppm/ $^{\circ}$ C	5%
RND 1550805S8J0681T5E REEL	680 $\Omega$	100 ppm/ $^{\circ}$ C	5%
RND 1550805S8J068JT5E REEL	6.8 $\Omega$	400 ppm/ $^{\circ}$ C	5%
RND 1550805S8J0821T5E REEL	820 $\Omega$	100 ppm/ $^{\circ}$ C	5%

## 1.0 Scope:

This specification for approve relates to the Lead-Free Thick Film Chip Resistors manufactured

## 2.0 Ratings & Dimension:

0201、0402	0603、0805、1206、1210、1812、2010、2512
	

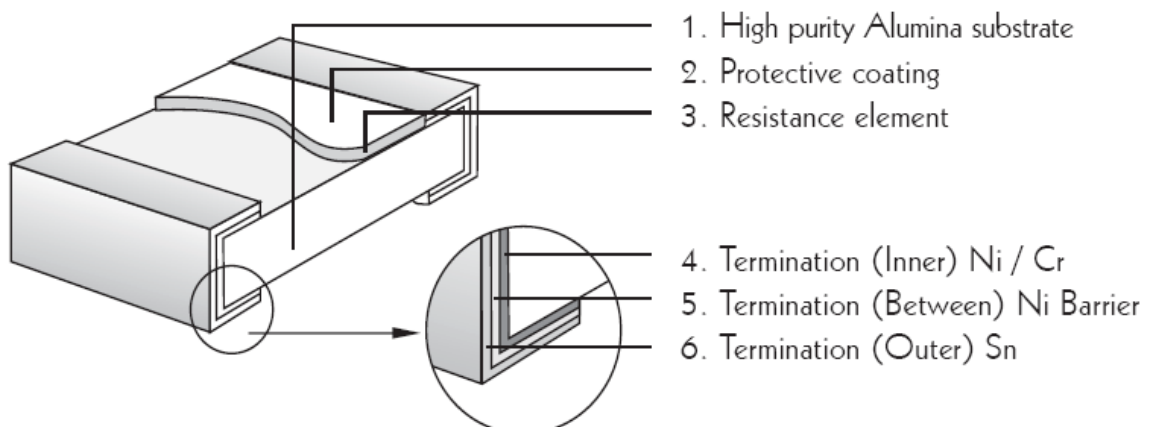
## 2.1 Dimension & Resistance Range :

Type	70°C Power	Dimension(mm)					Resistance Range			
		L	W	H	A	B	0.5%	1.0%	2.0%	5.0%
0201	1/20W	0.60±0.03	0.30±0.03	0.23±0.03	0.10±0.05	0.15±0.05	--	1Ω-10MΩ	1Ω-10MΩ	1Ω-10MΩ
0402	1/16W	1.00±0.10	0.50±0.05	0.35±0.05	0.20±0.10	0.25±0.10	1Ω-10MΩ	0.1Ω~22MΩ	0.1Ω~22MΩ	0.1Ω~22MΩ
0603	1/16W 1/10WS	1.60±0.10	+0.15 0.80 -0.10	0.45±0.10	0.30±0.20	0.30±0.20	1Ω-10MΩ	0.1Ω~33MΩ	0.1Ω~33MΩ	0.1Ω~100MΩ
0805	1/10W 1/8WS	2.00±0.15	+0.15 1.25 -0.10	0.55±0.10	0.40±0.20	0.40±0.20	1Ω-10MΩ	0.1Ω~33MΩ	0.1Ω~33MΩ	0.1Ω~100MΩ
1206	1/8W 1/4WS	3.10±0.15	+0.15 1.55 -0.10	0.55±0.10	0.45±0.20	0.45±0.20	1Ω-10MΩ	0.1Ω~33MΩ	0.1Ω~33MΩ	0.1Ω~100MΩ
1210	1/4W 1/3WS 1/2WSS	3.10±0.10	2.60±0.20	0.55±0.10	0.50±0.25	0.50±0.20	1Ω-10MΩ	0.1Ω~10MΩ	0.1Ω~22MΩ	0.1Ω~100MΩ
1812	1/2W 3/4WS	4.50±0.20	3.20±0.20	0.55±0.20	0.50±0.20	0.50±0.20	1Ω-10MΩ	0.1Ω-10MΩ	0.1Ω-10MΩ	0.1Ω-10MΩ
2010	1/2W 3/4WS	5.00±0.10	2.50±0.20	0.55±0.10	0.60±0.25	0.50±0.20	1Ω-10MΩ	0.1Ω~22MΩ	0.1Ω~22MΩ	0.1Ω~22MΩ
2512	1W	6.35±0.10	3.20±0.20	0.55±0.10	0.60±0.25	0.50±0.20	1Ω-10MΩ	0.1Ω~33MΩ	0.1Ω~33MΩ	0.1Ω~33MΩ

## 2.2 Ratings

Type	70°C Power	Max. Working Voltage	Max. Overload Voltage	Dielectric withstanding Voltage	Resistance Value of Jumper	Rated Current of Jumper	Max. Rated Current of Jumper	Operating Temperature
0201	1/20W	25V	50V	--	<50mΩ	0.5A	1A	-55°C~155°C
0402	1/16W	50V	100V	100V	<50mΩ	1A	2A	-55°C~155°C
0603	1/16W 1/10WS	75V	150V	300V	<50mΩ	1A	2A	-55°C~155°C
0805	1/10W 1/8WS	150V	300V	500V	<50mΩ	2A	5A	-55°C~155°C
1206	1/8W 1/4WS	200V	400V	500V	<50mΩ	2A	10A	-55°C~155°C
1210	1/4W 1/3WS 1/2WSS	200V	500V	500V	<50mΩ	2A	10A	-55°C~155°C
1812	1/2W 3/4WS	200V	500V	500V	<50mΩ	2A	10A	-55°C~155°C
2010	1/2W 3/4WS	200V	500V	500V	<50mΩ	2A	10A	-55°C~155°C
2512	1W	200V	500V	500V	<50mΩ	2.5A	10A	-55°C~155°C

## 3.0 Structure:



#### 4.0 Marking:

(1) For 0201 and 0402 size. Due to the very small size of the resistor's body, there is no marking on the body.

Example:



0201、0402

(2)  $\pm 2\%$ ,  $\pm 5\%$  Tolerance: The first two digits are significant figures of resistance and the third denotes number of zeros following

Example:



333  $\rightarrow$  33K $\Omega$

(3)  $\pm 2\%$ 、 $\pm 5\%$  Tolerance: Below 10 $\Omega$  show as following, read alphabet "R" as decimal point.

Example:



2R2  $\rightarrow$  2.2 $\Omega$

(4)  $\pm 0.5\%$ 、 $\pm 1\%$  Tolerance: 4 digits, first three digits are significant; fourth digit is number of zeros. Letter r is decimal point.



2701  $\rightarrow$  2.7K $\Omega$



10R0  $\rightarrow$  10 $\Omega$

(5) standard E-24 and not belong to E-96 series values (in  $\pm 0.5\%$ 、 $\pm 1\%$  tolerance) of 0603 size the marking is the same as 5% tolerance but marking as underline



333  $\rightarrow$  33K $\Omega$



680  $\rightarrow$  68 $\Omega$

(6) Product below 1 $\Omega$ , show as following, the first digit is "R" which as decimal point.



R300  $\rightarrow$  0.3 $\Omega$

(7) Standard E-96 series values ( $\pm 0.5\%$ 、 $\pm 1\%$  tolerance) of 0603 size. Due the small size of the resistor's body, 3 digits marking will be used to indicate the accurate resistance value by using the following multiplier & resistance code.

Multiplier code:

Code	A	B	C	D	E	F	G	H	X	Y	Z
Multiplier	10 <sup>0</sup>	10 <sup>1</sup>	10 <sup>2</sup>	10 <sup>3</sup>	10 <sup>4</sup>	10 <sup>5</sup>	10 <sup>6</sup>	10 <sup>7</sup>	10 <sup>-1</sup>	10 <sup>-2</sup>	10 <sup>-3</sup>

Coding formula

First two digits-----Resistance code      Third digit-----Multiplier code

EXAMPLE:  $1.96K\Omega=196\times 10^1\Omega$ -----29B

$12.4\Omega=124\times 10^{-1}\Omega$ -----10X



STANDARD E-96 VALUES AND 0603 RESISTANCE CODE

$\Omega$ VALUE	CODE	$\Omega$ VALUE	CODE	$\Omega$ VALUE	CODE	$\Omega$ VALUE	CODE
100	01	178	25	316	49	562	73
102	02	182	26	324	50	576	74
105	03	187	27	332	51	590	75
107	04	191	28	340	52	604	76
110	05	196	29	348	53	619	77
113	06	200	30	357	54	634	78
115	07	205	31	365	55	649	79
118	08	210	32	374	56	665	80
121	09	215	33	383	57	681	81
124	10	221	34	392	58	698	82
127	11	226	35	402	59	715	83
130	12	232	36	412	60	732	84
133	13	237	37	422	61	750	85
137	14	243	38	432	62	768	86
140	15	249	39	442	63	787	87
143	16	255	40	453	64	806	88
147	17	261	41	464	65	825	89
150	18	267	42	475	66	845	90
154	19	274	43	487	67	866	91
158	20	280	44	499	68	887	92
162	21	287	45	511	69	909	93
165	22	294	46	523	70	931	94
169	23	301	47	536	71	953	95
174	24	309	48	549	72	976	96

(8) 0 $\Omega$  Marking:

Normally for 0201 and 0402 size, no marking on the body:

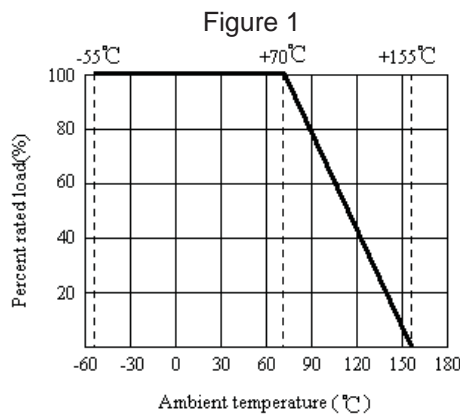


Normally, the making of 0 $\Omega$  0603, 0 $\Omega$  0805, 0 $\Omega$  1206, 0 $\Omega$  1210, 0 $\Omega$  1812, 0 $\Omega$  2010, 0 $\Omega$  2512 resistors as following



## 5.0 Derating Curve:

Resistors shall have a power rating based on continuous load operation at an ambient temperature from -55 °C to 70°C. For temperature in excess of 70°C, the load shall be derate as shown in figure 1



### 5.1 Voltage rating:

Resistors shall have a rated direct-current (DC) continuous working

voltage or an approximate sine-wave root-mean-square (RMS) alternating-current (AC) continuous working voltage at commercial-line frequency and waveform corresponding to the power rating, as determined from the following formula:

$$RCWV = \sqrt{P \times R}$$

Where: RCWV commercial-line frequency and waveform (Volt.)

P = power rating (WATT.) R = nominal resistance (OHM)

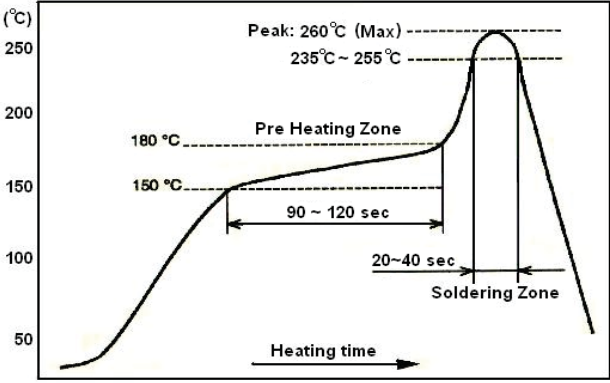
In no case shall the rated DC or RMS AC continuous working voltage be greater than the applicable maximum value.

The overload voltage is 2.5 times RCWV or Max. Overload voltage whichever is less.

## 6.0 Performance Specification:

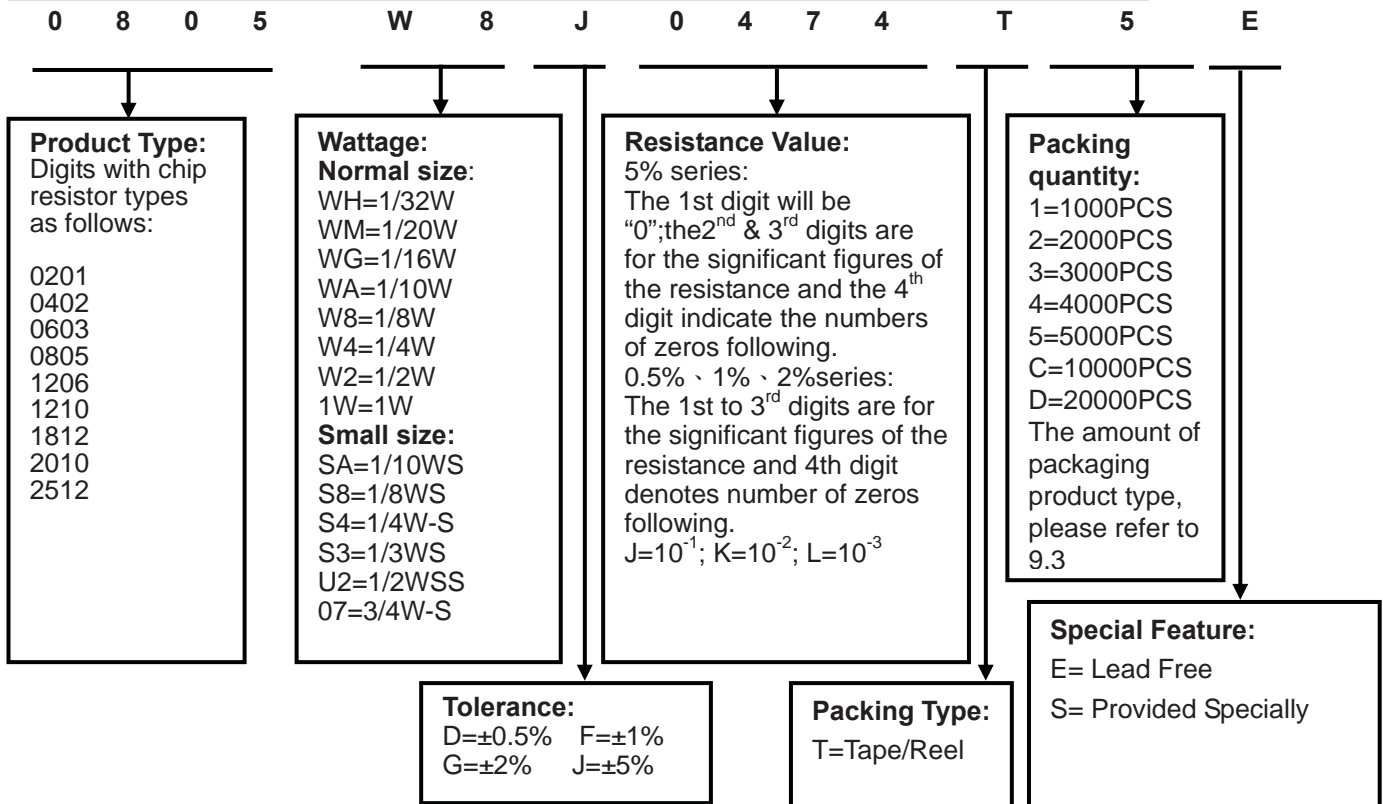
Characteristic	Limits	Test Method (JIS-C-5201& JIS-C-5202)
⊙ Temperature Coefficient	<b>0201:</b> 1Ω ≤ R ≤ 10Ω: ±400PPM/°C >10Ω: ±200PPM/°C	4.8 Natural resistance changes per temp. Degree centigrade $\frac{R_2 - R_1}{R_1(T_2 - T_1)} \times 10^6 \text{ (PPM/°C)}$ R1: Resistance value at room temperature. (T <sub>1</sub> ) R2: Resistance value at room temp. plus 100°C (T <sub>2</sub> )
	<b>0402~2512:</b> 0.1Ω ≤ R < 1Ω: ±800PPM/°C 1Ω ≤ R ≤ 10Ω: ±400PPM/°C 10Ω < R ≤ 100Ω: ±200PPM/°C 100Ω < R < 10MΩ: ±100PPM/°C 10MΩ ≤ R ≤ 100MΩ: ±200PPM/°C	
	<b>Provided Specially:</b> 0603:1Ω~10Ω:±200PPM/°C 0805,1206:1Ω~10Ω:±100PPM/°C	
⊙ *Short-time overload	±0.5%, ±1%	4.13 Permanent resistance change after the application of a potential of 2.5 times RCWV for 5 seconds.
	±2%, ±5%	
	* <50mΩ	
* Dielectric withstanding voltage	No evidence of flashover mechanical damage, arcing or insulation breaks down.	4.7 Resistors shall be clamped in the trough of a 90°C metallic v-block and shall be tested at ac potential respectively specified in the given list of each product type for 1 minute.



◎ *Solderability	95% coverage Min.		4.17 Test temperature of solder: 245°C±3°C dipping time in solder: 2-3 seconds.															
Soldering temp reference	Electrical characteristics shall be satisfied. Without distinct deformation in appearance. (95 % coverage Min.)		<p>Wave soldering condition: (2 cycles Max.)  Pre-heat: 100~120°C, 30±5 sec.  Suggestion solder temp.: 235~255°C, 10sec. (Max.)  Peak temp.: 260°C</p> <p>Reflow soldering condition: (2 cycles Max.)  Pre-heat: 150~180°C, 90~120sec.  Suggestion solder temp.: 235~255°C, 20~40sec.  Peak temp.: 260°C</p>  <p>Temperature profile for avaluation</p> <p>Hand soldering condition:  The soldering iron tip temperature should be less than 300°C and maximum contract time should be 5 sec.</p>															
◎ Temperature cycling	±0.5%,±1%	±(0.5%+0.05 Ω)	4.19 Resistance change after continuous five cycles for duty cycle specified below: <table border="1" data-bbox="794 1048 1385 1216"> <thead> <tr> <th>Step</th> <th>Temperature</th> <th>Time</th> </tr> </thead> <tbody> <tr> <td>1</td> <td>-55°C±3°C</td> <td>30 mins</td> </tr> <tr> <td>2</td> <td>Room temp.</td> <td>10 --- 15 mins</td> </tr> <tr> <td>3</td> <td>+155°C±2°C</td> <td>30 mins</td> </tr> <tr> <td>4</td> <td>Room temp.</td> <td>10 --- 15 mins</td> </tr> </tbody> </table>	Step	Temperature	Time	1	-55°C±3°C	30 mins	2	Room temp.	10 --- 15 mins	3	+155°C±2°C	30 mins	4	Room temp.	10 --- 15 mins
Step	Temperature	Time																
1	-55°C±3°C	30 mins																
2	Room temp.	10 --- 15 mins																
3	+155°C±2°C	30 mins																
4	Room temp.	10 --- 15 mins																
◎ Soldering heat	Resistance change rate is: ±(1.0%+0.05 Ω)		4.18 Dip the resistor into a solder bath having a temperature of 260°C±5°C and hold it for 10±1 seconds.															
Terminal bending	±(1.0%+0.05 Ω)		4.33 Twist of test board: Y/x = 3/90 mm for 60Seconds															
* Insulation resistance	1,000 MΩ or more		4.6 The measuring voltage shall be ,measured with a direct voltage of (100±15)V or a voltage equal to the dielectric withstanding voltage., and apply for 1min															
◎ Humidity ( steady state )	±0.5%,±1%	±(0.5%+0.1Ω)	4.24 Temporary resistance change after 240 hours exposure in a humidity test chamber controlled at 40±2°C and 90-95% relative humidity,															
	±2%,±5%	±(3.0%+0.1Ω)																
◎ *Load life in humidity	±0.5%,±1%	±(1.0%+0.1Ω)	7.9 Resistance change after 1,000 hours (1.5 hours "ON", 0.5 hour "OFF") at RCWV in a humidity chamber controlled at 40°C±2°C and 90 to 95% relative humidity.															
	±2%,±5%	±(3.0%+0.1Ω)																
	* <50mΩ																	
◎ *Load life	±0.5%,±1%	±(1.0%+0.1Ω)	4.25.1 Permanent resistance change after 1,000 hours operating at RCWV with duty cycle 1.5 hours "ON", 0.5 hour "OFF" at 70°C±2°C ambient.															
	±2%,±5%	±(3.0%+0.1Ω)																
	* <50mΩ																	
The resistors of 0Ω only can do the characteristic noted of * The resistors of 0201 only can do the characteristic noted of ◎																		

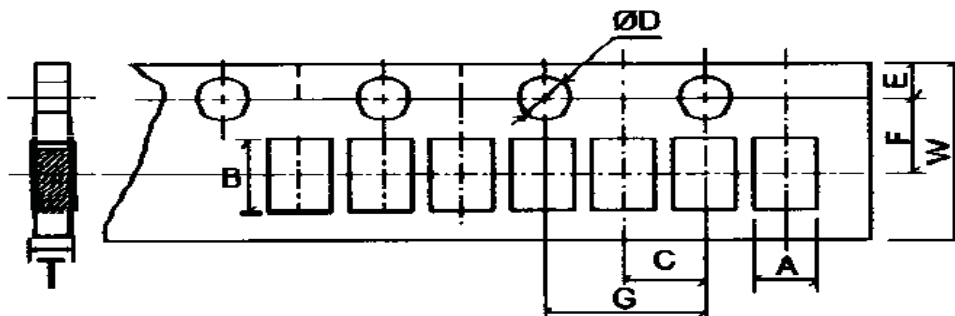


## 8.0 Ordering Procedure: (Example: RND155 0805 1/8W ±5% 470KΩ T/R-5000)



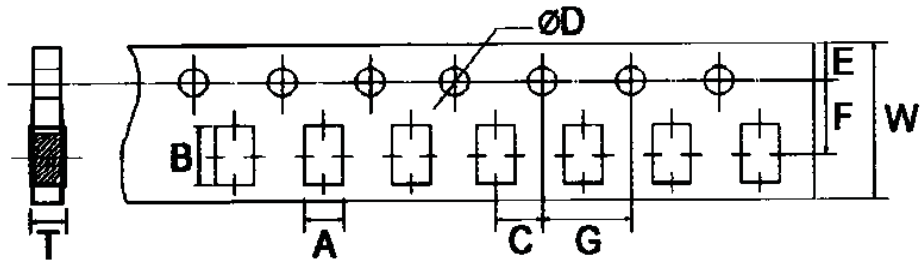
### 9.0 Packaging:

### 9.1 Tapping Dimension:



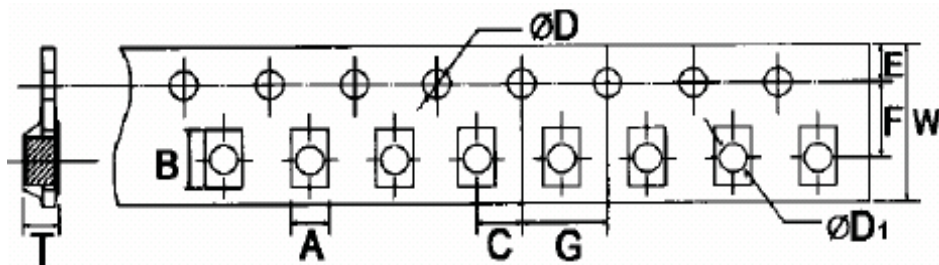
Unit: mm

Type	A	B	C±0.05	+0.1 ΦD -0	E±0.1	F±0.05	G±0.1	W±0.2	T±0.1
0201	0.40±0.05	0.70±0.05	2.00	1.50	1.75	3.50	4.00	8.00	0.42
0402	0.65±0.20	1.15±0.20	2.00	1.50	1.75	3.50	4.00	8.00	0.45



Unit: mm

Type	A $\pm 0.2$	B $\pm 0.2$	C $\pm 0.05$	$\phi D$ $\begin{matrix} +0.1 \\ -0 \end{matrix}$	E $\pm 0.1$	F $\pm 0.05$	G $\pm 0.1$	W $\pm 0.2$	T $\pm 0.1$
0603	1.10	1.90	2.00	1.50	1.75	3.50	4.00	8.00	0.67
0805	1.65	2.40	2.00	1.50	1.75	3.50	4.00	8.00	0.81
1206	2.00	3.60	2.00	1.50	1.75	3.50	4.00	8.00	0.81
1210	2.80	3.50	2.00	1.50	1.75	3.50	4.00	8.00	0.75

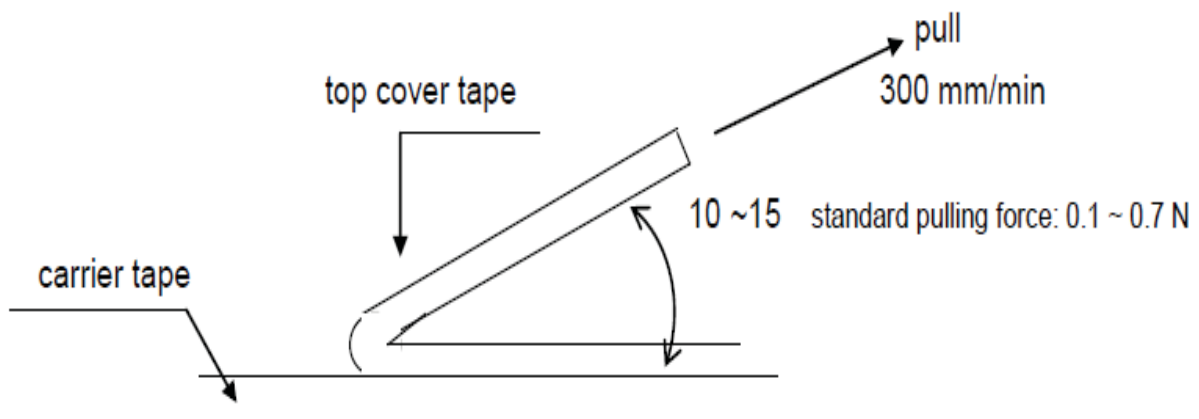


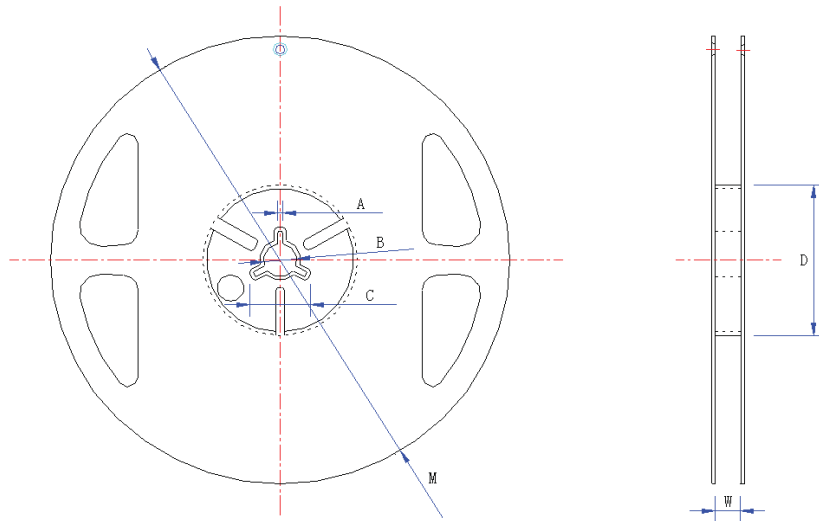
Unit: mm

Type	A $\pm 0.2$	B $\pm 0.2$	C $\pm 0.05$	$\phi D$ $\begin{matrix} +0.1 \\ -0 \end{matrix}$	$\phi D_1$ $\begin{matrix} +0.1 \\ -0 \end{matrix}$	E $\pm 0.1$	F $\pm 0.05$	G $\pm 0.1$	W $\pm 0.2$	T $\pm 0.1$
1812	3.50	4.80	2.00	1.50	1.50	1.75	5.50	4.00	12.00	1.00
2010	2.90	5.60	2.00	1.50	1.50	1.75	5.50	4.00	12.00	1.00
2512	3.50	6.70	2.00	1.50	1.50	1.75	5.50	4.00	12.00	1.00

## 9.2 Peeling Strength of Top Cover Tape:

Test Condition: 0.1 to 0.7 N at a peel-off speed of 300 mm / min.



**9.3 Dimension:**

**Unit: mm**

Type	Taping	Qty/Reel	A±0.5	B±0.5	C±0.5	D±1	M±2	W±1
0201	Paper	10,000pcs	2.0	13.0	21.0	60.0	178.0	10.0
0402	Paper	10,000pcs	2.0	13.0	21.0	60.0	178.0	10.0
0603	Paper	5,000pcs	2.0	13.0	21.0	60.0	178.0	10.0
0805	Paper	5,000pcs	2.0	13.0	21.0	60.0	178.0	10.0
1206	Paper	5,000pcs	2.0	13.0	21.0	60.0	178.0	10.0
1210	Paper	5,000pcs	2.0	13.0	21.0	60.0	178.0	10.0
2010	Paper or Embossed	4,000pcs	2.0	13.0	21.0	60.0	178.0	13.8
1812	Embossed	4,000pcs	2.0	13.0	21.0	60.0	178.0	13.8
2512	Embossed	4,000pcs	2.0	13.0	21.0	60.0	178.0	13.8

## 10.0: Note Matter:

### 10.1 Environment Related Substance.

This product complies to EU RoHS directive, EU PAHs directive, EU PFOS directive and Halogen free.

### 10.2 Ozone layer depleting substances.

Ozone depleting substances are not used in our manufacturing process of this product. This product is not manufactured using Chloro fluorocarbons (CFCs), Hydrochlorofluorocarbons (HCFCs), Hydrobromofluorocarbons (HBFCs) or other ozone depleting substances in any phase of the manufacturing process.

### 10.3 Storage Condition

The performance of these products, including the solderability, is guaranteed for a year from the date of arrival at your company, provided that they remain packed as they were when delivered and stored at a temperature of 5°C ~35°C and a relative humidity of 25%~75%RH.

Even within the above guarantee periods, do not store these products in the following conditions. Otherwise, their electrical performance and/or solderability may be deteriorated, and the packaging materials (e.g. taping materials) may be deformed or deteriorated, resulting in mounting failures.

1. In salty air or in air with a high concentration of corrosive gas, such as Cl<sub>2</sub>, H<sub>2</sub>S, NH<sub>3</sub>, SO<sub>2</sub>, or NO<sub>2</sub>.
2. In direct sunlight.

10.4 The products are used in circuit board thickness greater than 1.6mm. If customers use less than the thickness of the circuit board that you should confirm with the company, in order to recommend a more suitable product.