

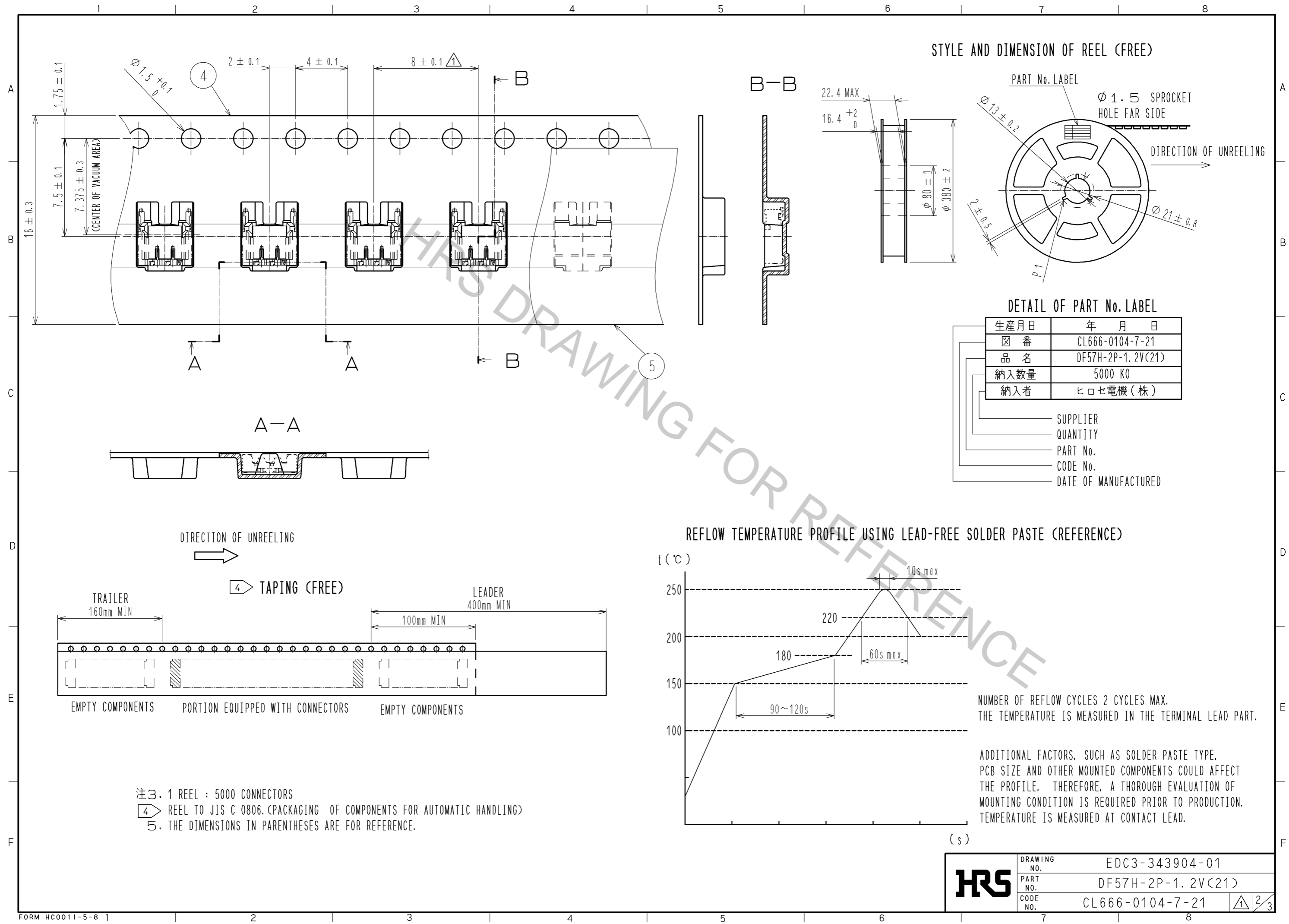
NO.	MATERIAL	FINISH . REMARKS	NO.	MATERIAL	FINISH . REMARKS
3	BRASS	SURFACE:TIN PLATING 1μmMIN UNDER PLATING: NICKEL PLATING 0.5μmMIN	6	PS	REEL . BLACK
2	BRASS	SURFACE:TIN PLATING 1μmMIN UNDER PLATING: NICKEL PLATING 0.5μmMIN	5	POLYESTER	CLEAR (COVER TAPE)
1	LCP	UL94V-0, BLACK	4	PS	CLEAR (EMBOSSED CARRIER TAPE)

UNITS	SCALE	COUNT	DESCRIPTION OF REVISIONS	DESIGNED	CHECKED	DATE
mm	FREE	2	DIS-H-007104	TS. KUMAZAWA	HK. UMEHARA	12.08.06

APPROVED	DATE	DRAWING NO.
HIROSE ELECTRIC CO., LTD.	12.03.19	EDC3-343904-01
CHECED : HK. UMEHARA	12.03.19	PART NO.
DESIGNED : TS. KUMAZAWA	12.03.19	DF57H-2P-1.2V(21)
DRAWN : TS. KUMAZAWA	12.03.19	CODE NO.
		CL666-0104-7-21

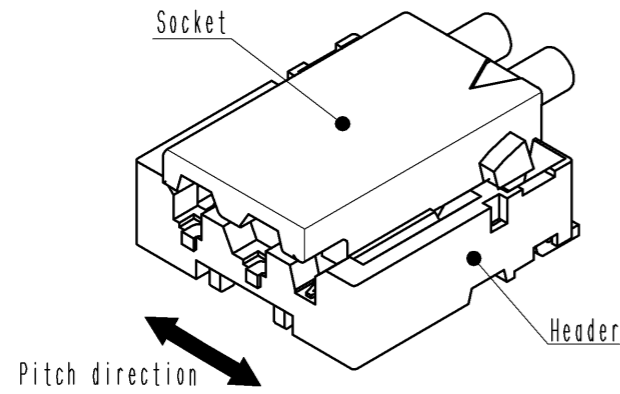


<b>HRS</b>	DRAWING NO.	EDC3-343904-01
	PART NO.	DF57H-2P-1.2V(21)
	CODE NO.	CL666-0104-7-21
		2/3

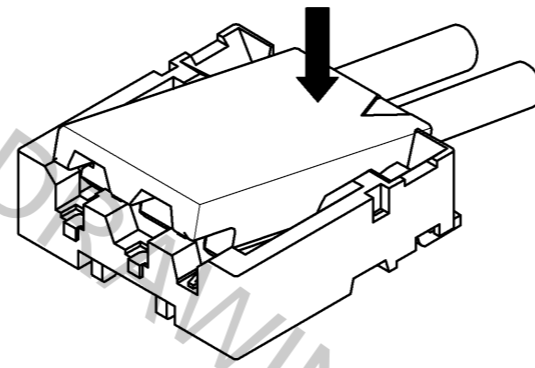
# DF57 Series Mating / Unmating Operation Instruction

## Mating

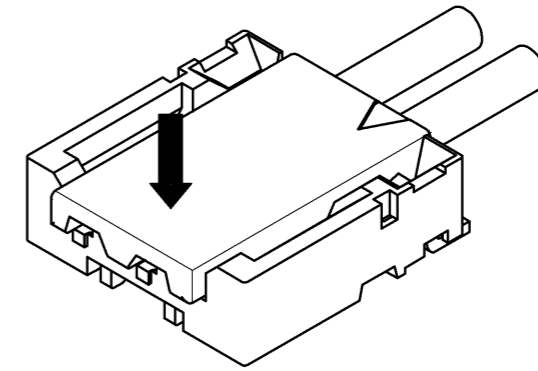
① By positioning the convexity of the socket sides to the header concavity, align the centers of the socket and the header in pitch direction.



② Slightly press the socket down at cable side to tilted angle.

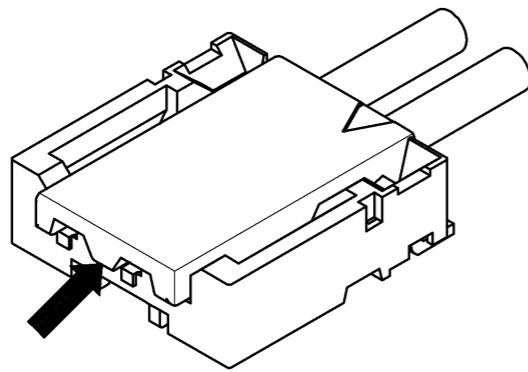


③ Press down at the lever side with stabilizing the cable side to insert. Mating completes.

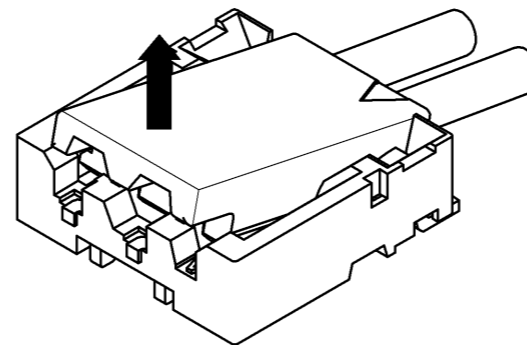


## Unmating

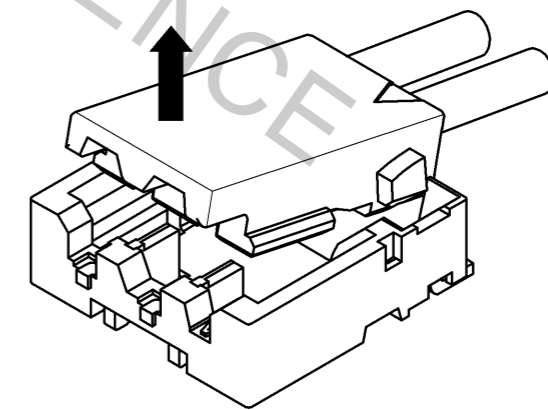
① Hook the lever with finger nail.



② Lift up to the upper direction and friction lock is released.



③ Lift up to the upper direction and positive lock is released. Removal completes.



**HRS**

DRAWING NO.	EDC3-343904-01
PART NO.	DF57H-2P-1.2V<21>
CODE NO.	CL666-0104-7-21

3/3