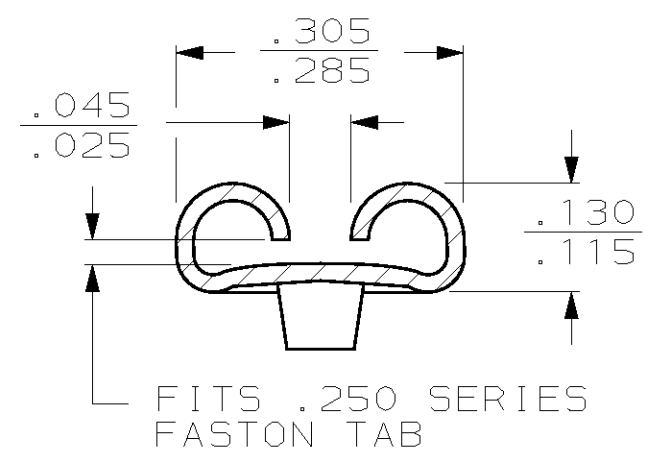
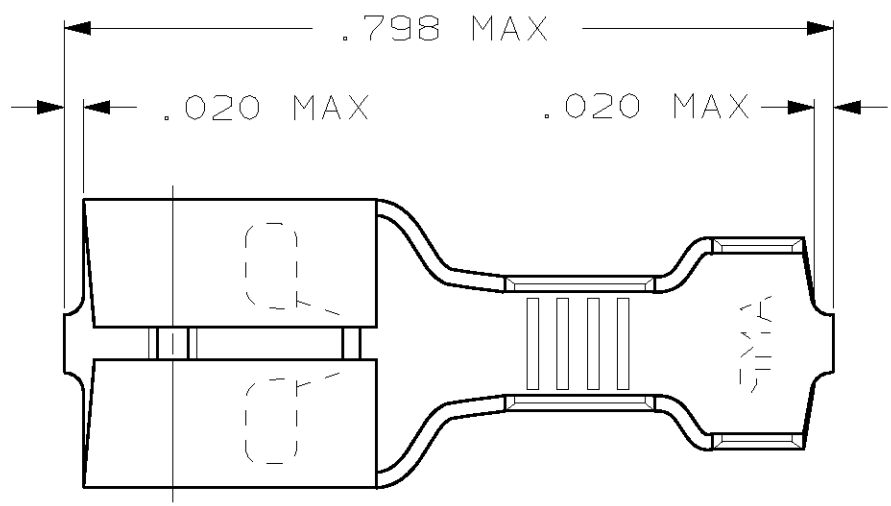


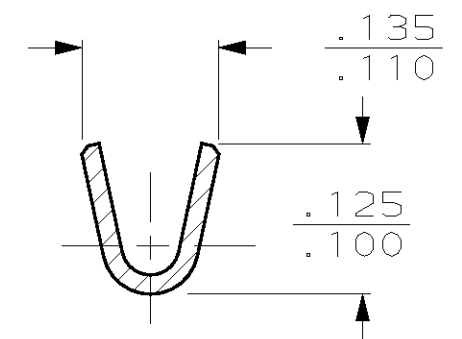
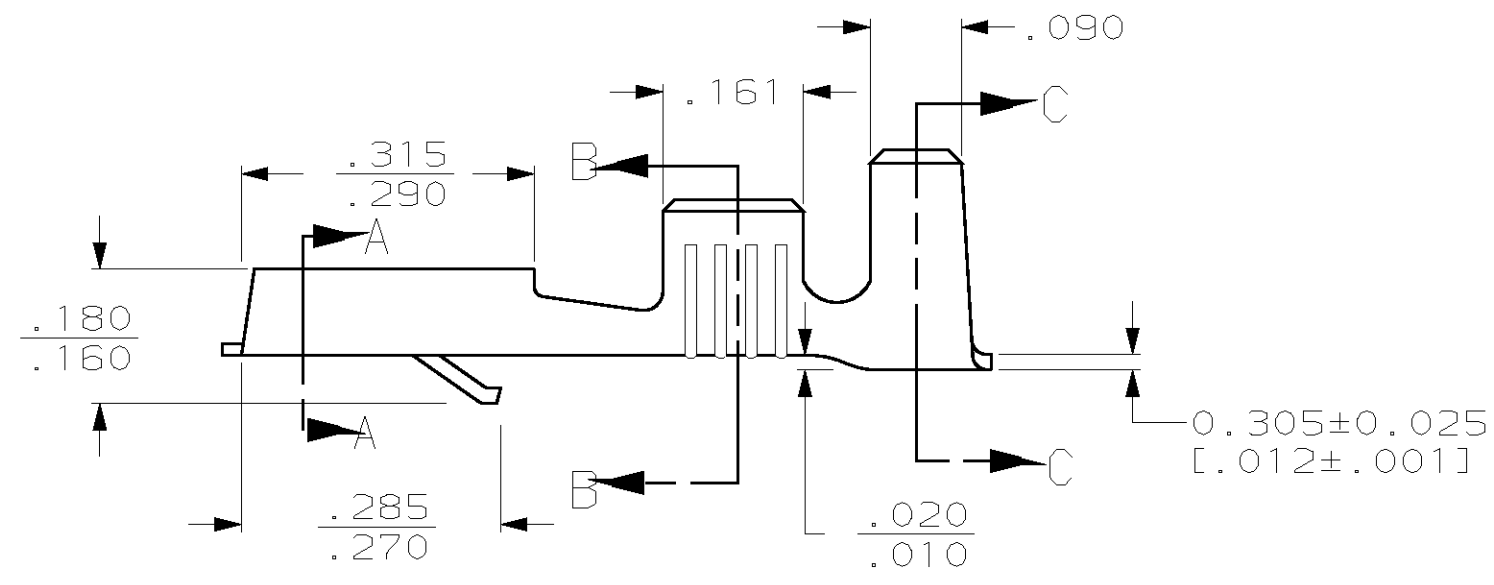
THIS DRAWING IS UNPUBLISHED. RELEASED FOR PUBLICATION ,19 .  
 © COPYRIGHT 19 BY AMP INCORPORATED. ALL RIGHTS RESERVED.

LOC	DIST	REVISIONS					
		P	LTR	DESCRIPTION	DATE	DWN	APVD
AF	50		B	REDRAWN PER 0L10-0025-98	1/29/98	JR	JH

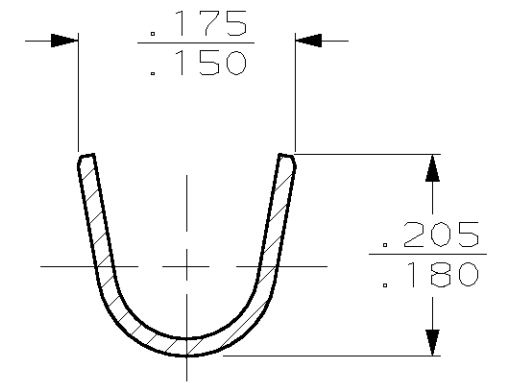
- 1 - SUPPLIED IN LOOSE PIECE
- △ 2 - FOREIGN PRODUCTION ONLY
- 3 - WIRE SIZE IS #22-#18 AWG.
- 4 - MATING TAB THK IS .032±.001.
- 5 - INSULATION RANGE IS .085-.125 DIA.



SECTION A-A



SECTION B-B



SECTION C-C

60838-1 (60295-2 L.P.)	△ 60838-1
COMBINATION NUMBER	PART NO.

THIS DRAWING IS A CONTROLLED DOCUMENT.		DWN JR RUTH 1/29/98	AMP Incorporated Harrisburg, PA 17105-3608	
DIMENSIONS: INCHES 		CHK MS FEHER 1/29/98		
TOLERANCES UNLESS OTHERWISE SPECIFIED: 0 PLC ±- 1 PLC ±- 2 PLC ±- 3 PLC ±.015 4 PLC ±- ANGLES ±-		APVD J HUZVAR 1/29/98	NAME RECEPTACLE, FASTIN-FASTON, .250 SERIES	
MATERIAL BRASS	FINISH TIN	PRODUCT SPEC -	APPLICATION SPEC -	RESTRICTED TO -
CUSTOMER DRAWING		WEIGHT -	SIZE A3	CAGE CODE 00779
		DRAWING NO C- 60838		SCALE 5:1
		SHEET 1 OF 1		REV B