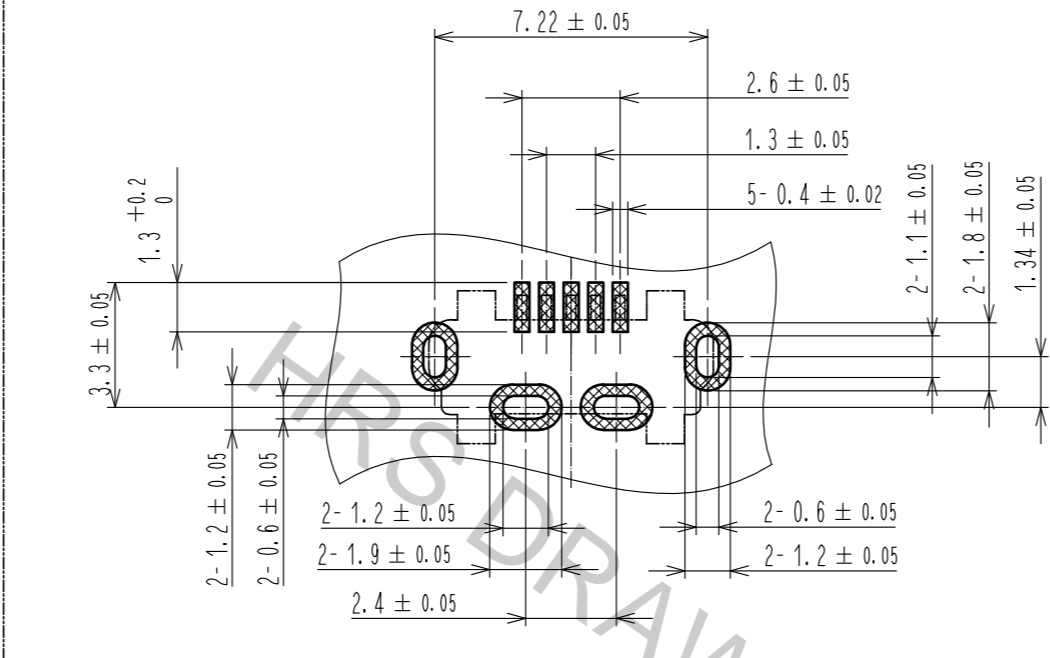
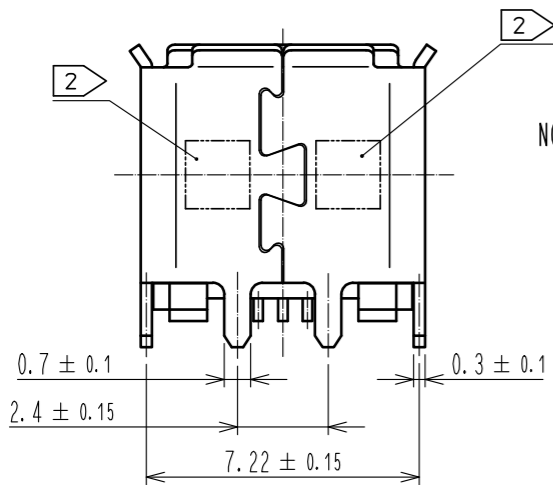
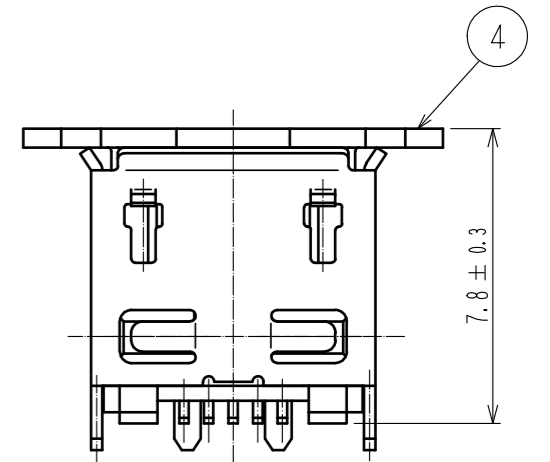
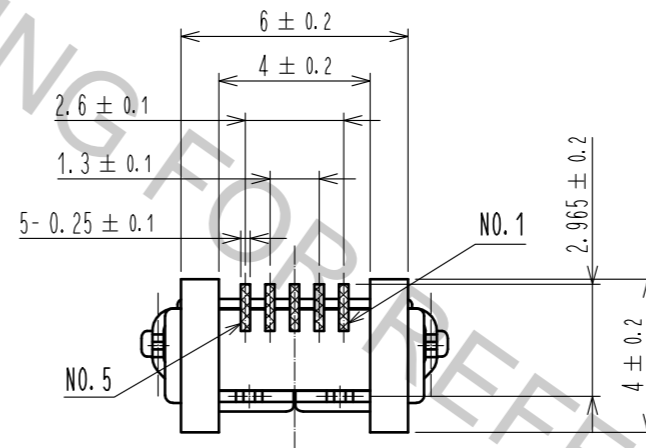
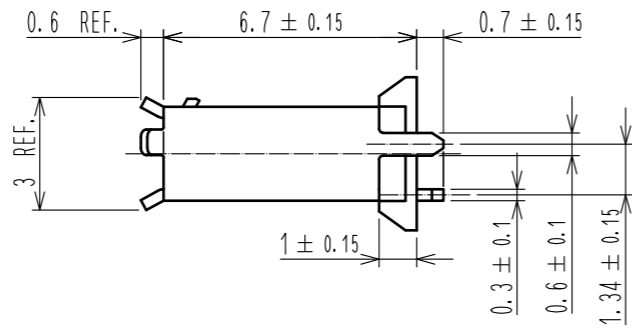
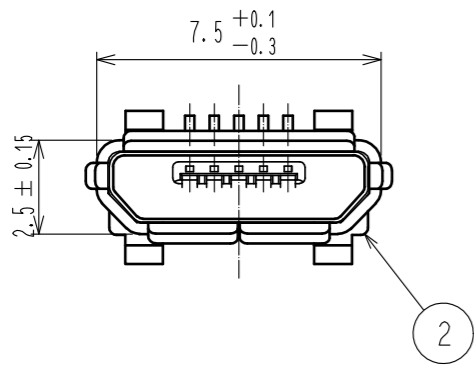
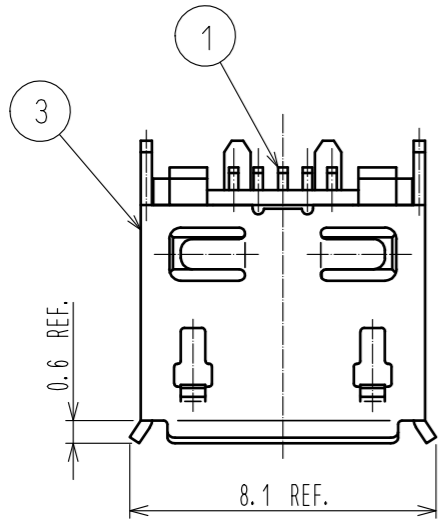
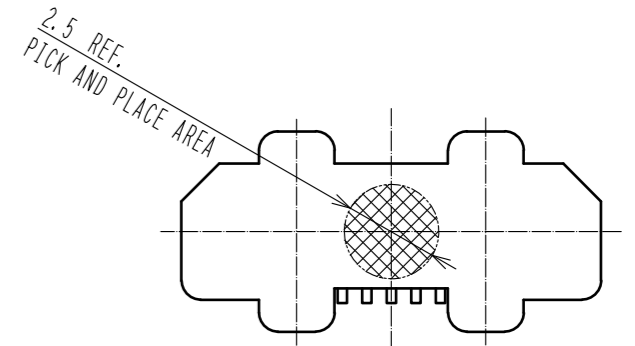


PCB LAYOUT



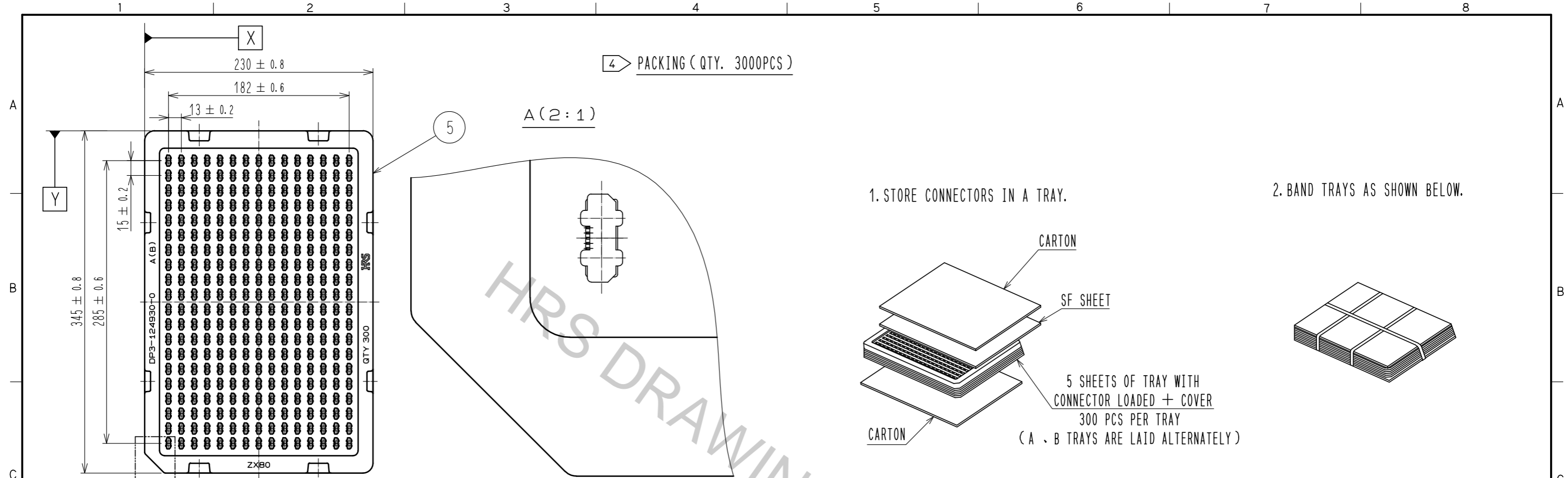
PICK AND PLACE CAP



- NOTE
- 1 CO-PLANARITY IS WITHIN 0.08.
 - 2 LOT No. SHALL BE INDICATED AT THE POSITION AS SHOWN.
 - 3 PLATING
CONTACT AREA : GOLD PLATE 0.75 μm MIN.
LEAD AREA : GOLD PLATE 0.05 μm MIN.
UNDER PLATING : NICKEL 2 μm MIN.
 - 4 PACKING
300 PCS PER TRAY.
 - 5 AS FOR PART No. 3, THE PERFORMANCE REMAINS GOOD EVEN IF THERE IS A RUBBING WOUND BY THE ASSEMBLY PROCESS. AND THE PERFORMANCE REMAINS GOOD EVEN IF THERE IS A DIFFERENCE OF THE COLOR OF PLATING WITH THE MANUFACTURING LOT.

| | | | | | | | | |
|--------------------------------------|--------------|---------------------------|-----------|------------------------------|-----------------|---|---------|------|
| 2 | LCP | BLACK | UL94V-0 | 5 | PS | | | |
| 1 | COPPER ALLOY | 3 | | 4 | POLYAMIDE RESIN | | | |
| | | | | 3 | STAINLESS STEEL | UNDER PLATING: NICKEL 0.2 μm MIN. OVER PLATING : TIN 1μm MIN. LUBRICANT | | |
| NO. | MATERIAL | FINISH | REMARKS | NO. | MATERIAL | FINISH . REMARKS | | |
| UNITS mm | | SCALE 5 : 1 | COUNT | DESCRIPTION OF REVISIONS | | DESIGNED | CHECKED | DATE |
| HRS HIROSE ELECTRIC CO., LTD. | | APPROVED : NM. NISHIMATSU | 15.10.27 | DRAWING NO. EDC-126723-30-00 | | | | |
| | | CHECKED : KN. ICHIKAWA | 15.10.27 | PART NO. ZX80-B-5P(30) | | | | |
| | | DESIGNED : TS. ITO | 15.10.27 | CODE NO. CL242-0051-0-30 | | | | |
| | | DRAWN : AK. AKIYAMA | 15.10.27 | | | | | |

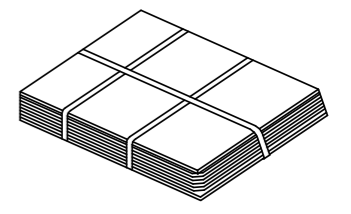
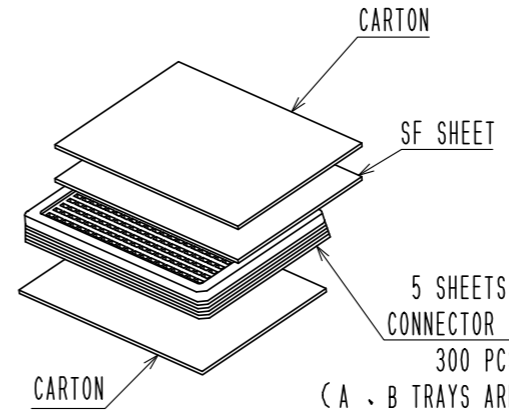
4 PACKING (QTY. 3000PCS)



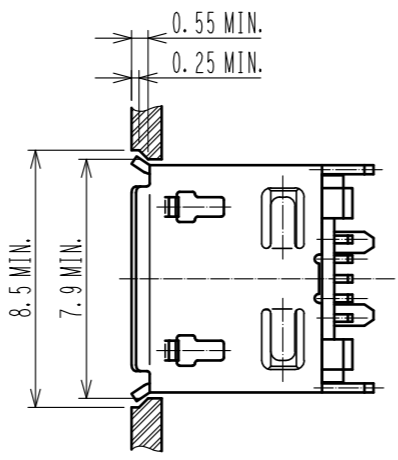
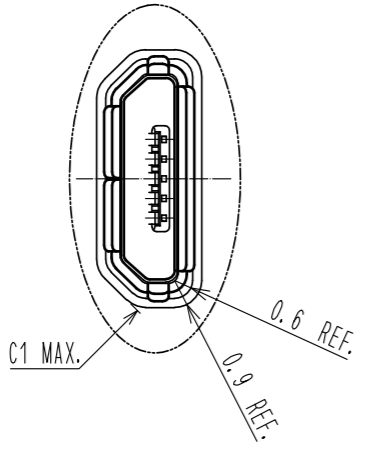
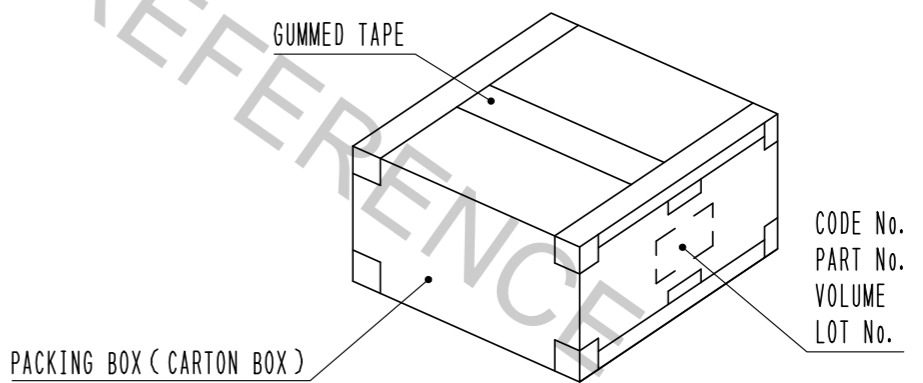
RECOMMENDED PANEL CUTOUT (4:1)

1. STORE CONNECTORS IN A TRAY.

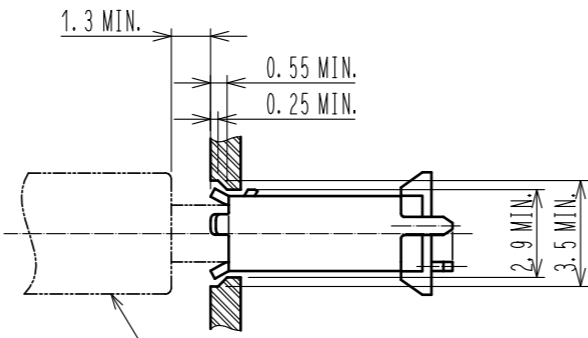
2. BAND TRAYS AS SHOWN BELOW.



3. STORE 2 UNITS OF BANDED TRAY INTO A CARTON BOX (K-1)
(STORE A BOUNDARY PLATE ON TOP OF THE SURFACE, THEN CLOSE THE BOX BY STICKING GUMMED TAPE IN FOUR PARTS)



MATED WITH CORRESPONDING PLUG(4:1)



OUTLINE OF THE B KEY PLUG OF HIROSE'S MICRO USB 'ZX SERIES'

| | | |
|------------|-------------|------------------|
| HRS | DRAWING NO. | EDC-126723-30-00 |
| | PART NO. | ZX80-B-5P(30) |
| | CODE NO. | CL242-0051-0-30 |
| | | 2/2 |