



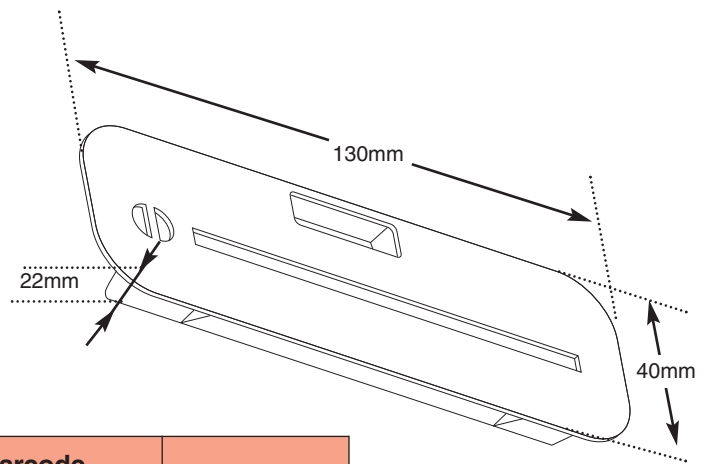
Horizontal Fridge or Freezer Thermometer

130mm white horizontal fridge or freezer thermometer with blue temperature scale indicating recommended food storage zones.



Product Specifications

- Nominal Range:** -30 to +40°C
- Accuracy:** +/- 1.0°C @ 10°C
- CE:** N/A
- ROHS/WEEE:** N/A
- Hazard Information (SDS):** See www.brannan.co.uk for information
- Product Material:** Moulding: High Impact Styrene
Glass Tube: Kerosene filled
- Component Weights:** Plastic - 11g
Glass - 4g
- Product Weight:** Unpackaged - 15g
Packaged - 30g
- Product Dimensions :** Unpackaged - 130 x 40 x 22mm
Packaged - 218 x 95 x 23.5mm
- Display Card Weight:** 10g - 600mu board
- Display Card Dimensions:** 218 x 95 x 0.5mm
- Display PVC Blister Weight:** 5g
- Display PVC Blister Dimensions:** 175 x 83 x 23mm



Description	Nominal Range*	Divisions	Barcode	Product No
Horizontal Fridge or Freezer Thermometer	-30 +40°C	2.0°C	5 011405 224811	22/483/2

* Temperature ranges may have different upper and lower temperature extremes than stated due to manufacturing processes.

PDS 0029:09:R0

Brannan Thermometers & Instrumentation

Leconfield Industrial Estate • Cleator Moor • Cumbria • CA25 5QE • UK

tel: +44 (0)1946 816600 fax: +44 (0)1946 816625 email: sales@brannan.co.uk web: www.brannan.co.uk

