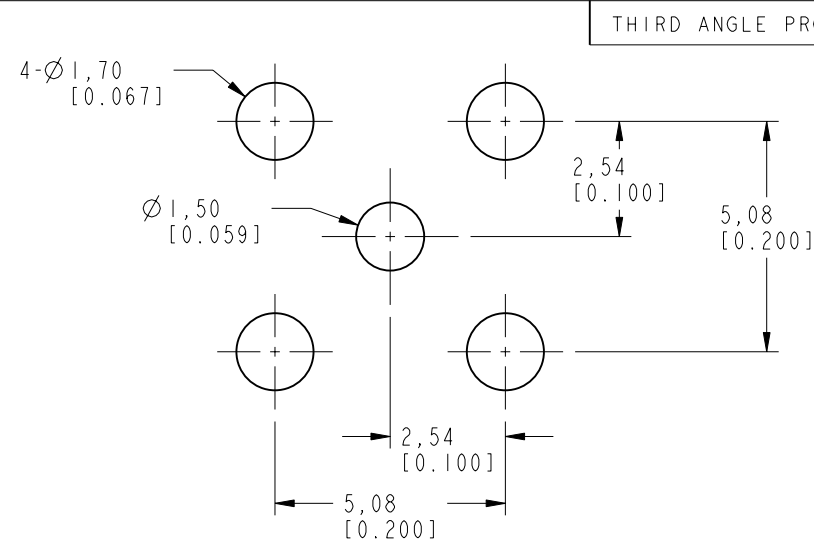


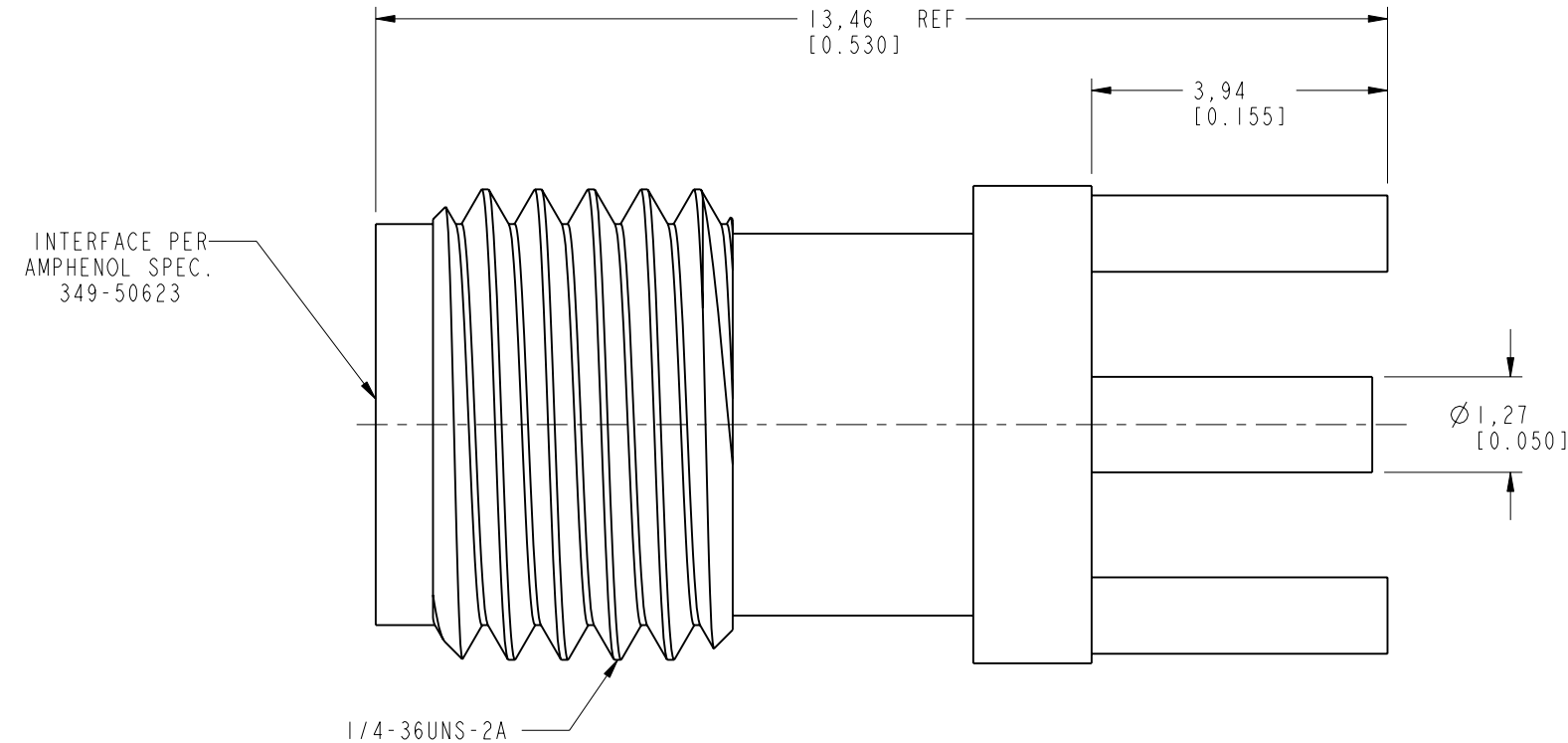
NOTES:

1. MATERIALS AND FINISHES:
 BODY - STAINLESS STEEL, GOLD PLATING
 CONTACT - Be Cu, GOLD PLATING
 INSULATOR - PTFE
2. ELECTRICAL:
 A. IMPEDANCE: 50 OHM
 B. DIELECTRIC WITHSTANDING VOLTAGE: 1000 VRMS, MIN.
3. MECHANICAL:
 A. DURABILITY: 500 CYCLES MIN.
 B. TEMPERATURE RANGE: -65° C TO 165° C
4. PACKAGING:
 A. QUANTITY: SINGLE PACK
 B. MARKING: BAG TO BE MARKED
 "AMPHENOL RF, 901-144, AND DATE CODE"

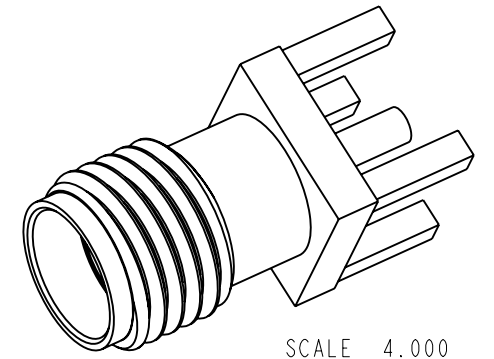
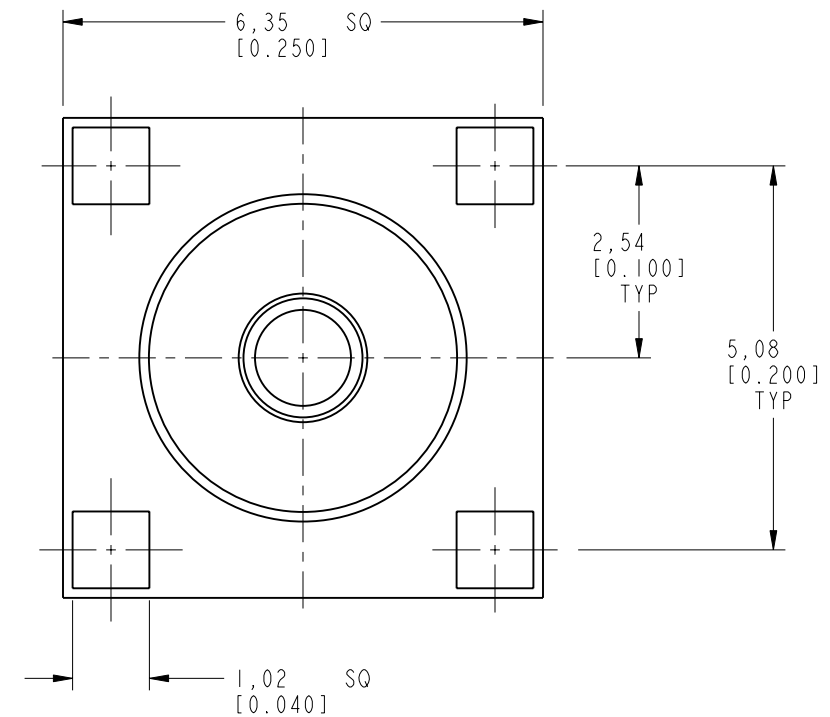


RECOMMENDED MOUNTING HOLE DIMENSIONS

SCALE 6.000



INTERFACE PER AMPHENOL SPEC. 349-50623



SCALE 4.000

THIRD ANGLE PROJ.

REVISIONS

REV	DESCRIPTION	DATE	ECO	APPR
A	CODE & SET TO AMB GD	31-Mar-7009	18238	WZ
J	REDRAWN PRO/E; SEE ECO FOR MORE INFORMATION	6/13/96	41420	RF/BG
K	ITEM 1 WAS 901-6842-1HK	--	42442	CPM/
L	NO. 2 WAS CHANGED \RD-DA05041201R	04-12-05'	--	ROCKY
M	SYNCH THE DRAWING WITH DANBURY\RM-DM11031401R3	31-Mar-11	48528	ROSE

CUSTOMER OUTLINE DRAWING

ALL OTHER SHEETS ARE FOR INTERNAL USE ONLY

UNLESS OTHERWISE SPECIFIED, DIMENSIONS ARE IN METRIC AND TOLERANCES ARE:
 <0.5mm ±0.05mm 0.5 - 6mm ±0.1mm 6 - 30mm ±0.2mm 30 - 120mm ±0.3mm ANGLES ±1°

NOTICE - These drawings, specifications, or other data (1) are, and remain the property of Amphenol corp. (2) must be returned upon request; and (3) are confidential and not to be disclosed to any person other than those to whom they are given by Amphenol Corp. the finishing of these drawings, specifications, or other data by Amphenol Corp., or to any other person to anyone for any purpose is not to be regarded by implication or otherwise in any manner licensing, granting rights to permitting such holder or any other person to manufacture, use or sell any product, process or design, patented or otherwise, that may in any way be related to or disclosed by said drawings, specifications, or other data.

MATERIAL	-
REFERENCE	DOR 308022-51 RAYTHEON 481262-1 REV B GEN#ASSYF1_SMA
FINISH	

DRAWN	ROSE.MAO	DATE	31-Mar-11
ENGINEER	P. BRENZEL	DATE	10-7-70
APPROVED	DANIEL	DATE	31-Mar-11
CAD FILE			

TITLE	SMA (FEMALE) PCB RECEPTACLE
SCALE:	10.0:1.0
SHEET	2 OF 2
DWG SIZE	B
REV	M

Amphenol RF	
Danbury CT USA, Tainan, Taiwan, Shenzhen, China www.amphenolrf.com	
DRAWING NO.	901-144
ITEM NO.	116251AAL02GA5F
PART NO.	901-144

Mouser Electronics

Authorized Distributor

Click to View Pricing, Inventory, Delivery & Lifecycle Information:

[Amphenol:](#)

[901-144](#)