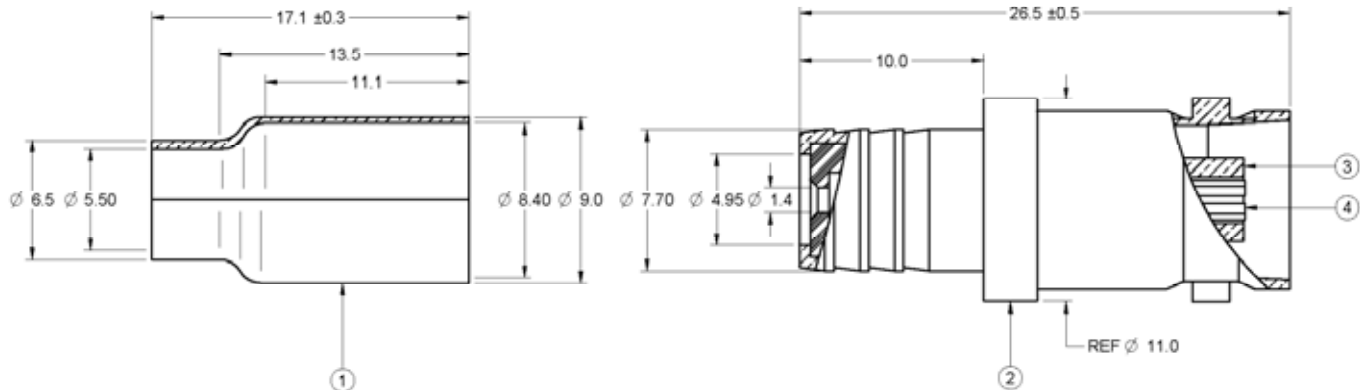
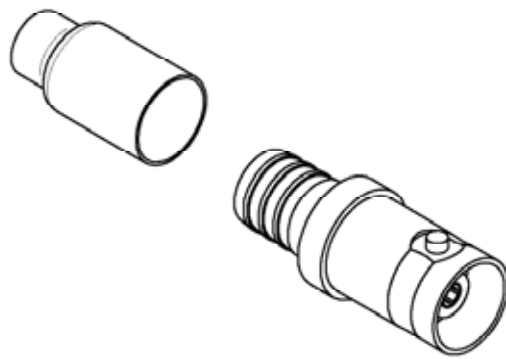


PART NUMBER	ITEM ① SLEEVE	ITEM ② BODY	ITEM ③ INSULATOR	ITEM ④ CONTACT
27-9014	BRASS NICKEL PLATED	BRASS NICKEL PLATED	PE	PHOS-BRONZE GOLD PLATED

DRAWING NO. 27-9014	
REVISIONS	
01	OFFICIAL RELEASE
10-21-09	



受控 CONTROLLED DOCUMENT					
编号 P/N	27-9014	版本 Rev	01	日期 Rel'd Date	DEC 17,09



- NOTES:
1. IMPEDANCE: 50 OHMS NOMINAL
 2. FREQUENCY RANGE: 0-4 GHz
 3. CABLE ACCEPTABILITY: RG58
 4. CABLE RETENTION: 20 lbs MIN
 5. RECOMMENDED TEMPERATURE RANGE: -55 °C TO +85 °C
 6. FURTHER TECHNICAL DETAIL: REFER TO EMERSON DOCUMENT P/N 27-0000

THIS DRAWING TO BE INTERPRETED PER ANSI Y 14.5M - 1994

COMPANY CONFIDENTIAL

TOLERANCE UNLESS OTHERWISE SPECIFIED	DRAWN BY BETTY, YU	DATE 10-21-09
DECIMALS	CHECKED BY BETTY, YU	DATE 10-21-09
X ± 0.5	APPROVED BY THOMAS	DATE 10-21-09
XX + 0.2		
XXX + 0.1		
ANGLES ± 0.5°	UM	mm

	Connectivity Solutions
TITLE BNC 2PC CRIMP JACK RG-58	
SHEET 1 OF 1	DRAWING NO. 27-9014
	SIZE C

THIS DRAWING WAS PRODUCED BY COMPUTER. DO NOT SCALE DRAWING OR UPDATE MANUALLY.

Mouser Electronics

Authorized Distributor

Click to View Pricing, Inventory, Delivery & Lifecycle Information:

[Cinch Connectivity Solutions:](#)

[27-9014](#)