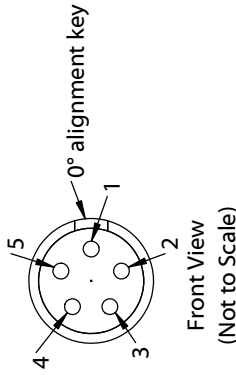
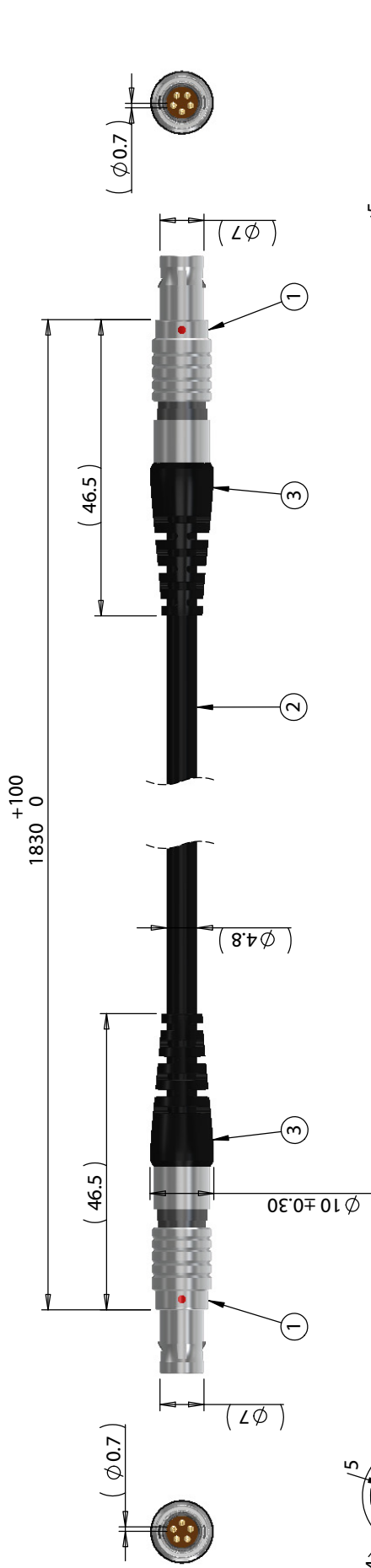


ITEM NO.	PART NUMBER	DESCRIPTION	QTY.	COMPONENT NOTES
1	51-00019.M	Connector, PPL7, 5C, 0° plug, 7x38 mm, chrome, solder, Ø2.2-5.2 mm wire, molding style	2	
2	30-00918	Wire, 4C BC, 24 AWG, UL20280, 300V, 80C, 4.8 mm braided shield, FT2, TPU	1	
3	24-00206	Overmold, PPL7 strian relief, 10x24 mm	2	TPU



50-00019.M	Wiring Diagram wire color	50-00019.M
1	Red	1
2	White	2
3	Black	3
4	Yellow	4
5	Drain/Shield	5

Revision:	Date:	Description:	Prepared:	Notes:	Scale:	Sheet
A	3/27/2018	Initial release	<p>Prepared: AG Digitally signed by AG Date: 2018.04.19 15:48:47 -0700</p> <p>Verified: AW Digitally signed by AW Date: 2018.04.19 15:59:24 -0700</p> <p>Dimensions are in millimeters. Tolerances: X: ± 0.5 mm XX: ± 0.3 mm XXX: ± 0.05 mm</p>	<p>RoHS compliant</p> <p>Function test: no open, no short circuit, no intermittent</p> <p>Description: Cable, 1830 mm, 5C PPL7 plug 51-00019.M to same, 24 AWG, UL20280 30-00918</p>	1:1	1 of 1

TENSILITY

tel/ 1.541.323.3228 800 877.670.7118
fax 1.541.323.4202 web tensility.com

Size: Part number:
A 10-02263

Scale: 1:1