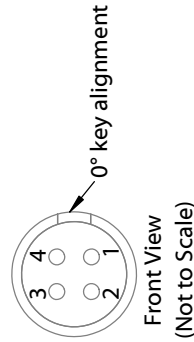
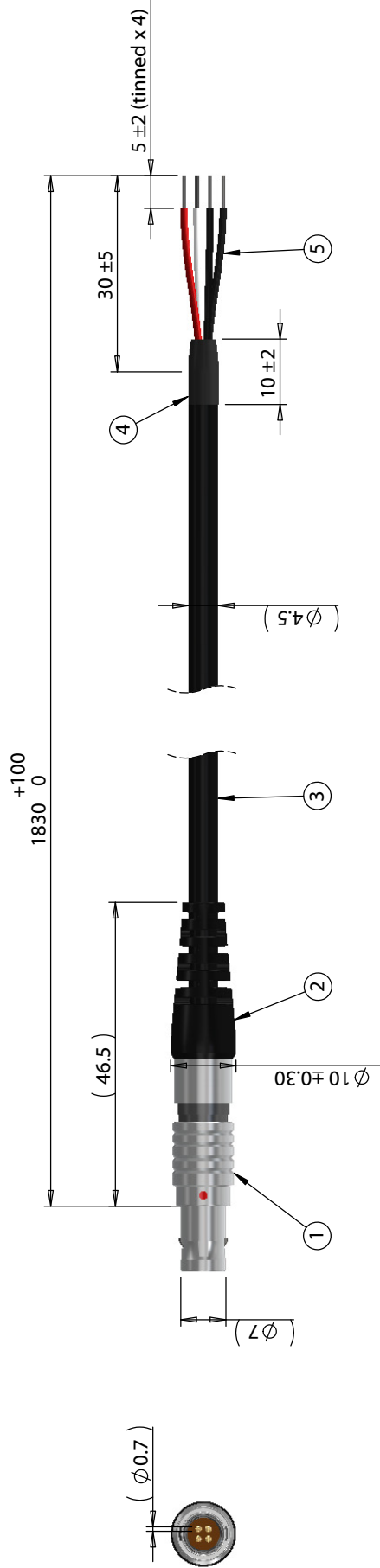


ITEM NO.	PART NUMBER	DESCRIPTION	QTY.	COMPONENT NOTES
1	51-00016.M	Connector, PPL7, 4C, 0° plug, 7x38 mm, chrome, solder, Ø2.2-5.2 mm wire, molding style	1	
2	24-00206	Overmold, PPL7 strian relief, 10x24 mm	1	TPU
3	30-00913	Wire, 3C BC, 24 AWG, UL20280, 300V, 80C, 4.5 mm braided shield, FT2, TPU	1	
4	Heat shrink	Black	1	Covers jacket end
5	Heat shrink	Black	1	Covers drain



Wiring Diagram	wire color
1	Red
2	White
3	Black
4	Drain/Shield

Revision:	Date:	Description:	Prepared:	Notes:	Size:	Part number:
A	3/27/2018	Preliminary	Prepared: AG Digitally signed by AG Date: 2018.04.19 13:10:23 -0700 Verified: AW Digitally signed by AW Date: 2018.04.19 15:05:0700	RoHS compliant Function test: no open, no short circuit, no intermittent Description: Cable, 1830 mm, 4C PPL7 plug 51-00016.M, to stripped tinned, 24 AWG, UL20280 30-00913	A	10-02260
				Scale: 1:1	Sheet 1 of 1	

TENSILITY

tel 1.541.323.3228 800 877.670.7118
 fax 1.541.323.4202 web tensility.com

Size: Part number:
 A 10-02260

Scale: 1:1