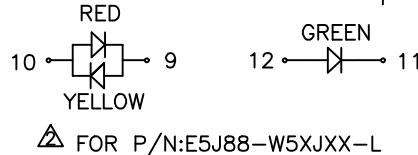
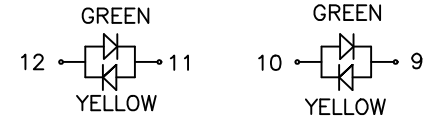
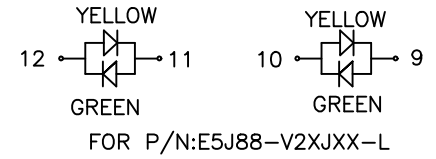
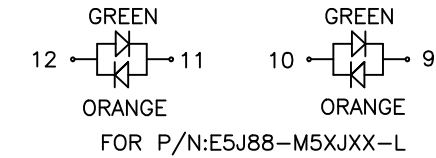
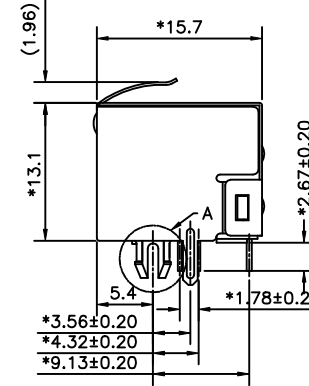
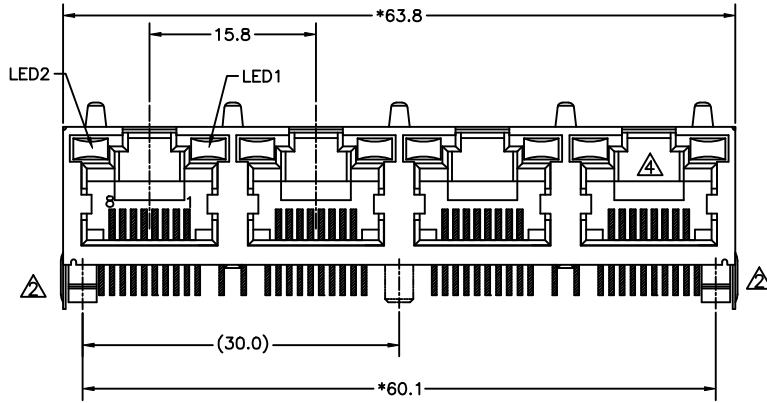
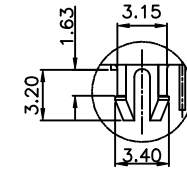
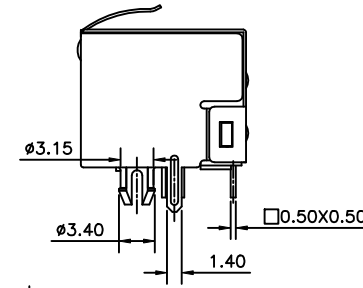
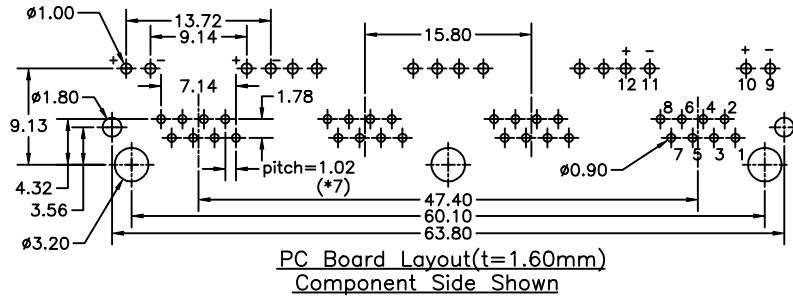


| REVISION RECORD |     |             |                      |      |
|-----------------|-----|-------------|----------------------|------|
| REV             | ECO | DESCRIPTION | DRFT                 | CHKD |
| ▲               |     | ADD P/N     | YANGLAN<br>07/14/05* |      |
| ▲               |     | ADD P/N     | YANGLAN<br>08/04/05* |      |
| ▲               |     | Erase Logo  | JIE<br>08/29/05*     |      |
| ▲               |     | Erase Logo  | YANGLAN<br>10/31/05* |      |



**NOTES:**

**ELECTRICAL:**

- VOLTAGE RATING : 125 VAC RMS.
- CURRENT RATING : 1.5 AMP.
- CONTACT RESISTANCE : 30 MILLIOHMS MAX.
- INSULATION RESISTANCE: 1000 MEGOHMS MIN @ 500 VDC.
- DIELECTRIC STRENGTH : 1000 VAC RMS 60Hz, 1MIN.
- LED RATINGS: FORWARD VOLTAGE: 2.2 VOLTS TYPICAL.  
REVERSE VOLTAGE: 5 VOLTS MAXIMUM
- OPERATING: 750 CYCLES MIN.

**MECHANICAL:**

- HOUSING MATERIAL : FR52 UL94V-0. COLOR-BLACK.
- INSERT MATERIAL : FR52 UL94V-0. COLOR-BLACK.
- BACK PLATE MATERIAL : FR52 COLOR-BLACK.
- LED SIZE : 3.2\*2.0\*7.0\*P=2.54mm.
- SHIELD MATERIAL : COPPER ALLOY 0.25mm THICKNESS PLATING NI.
- CONTACT MATERIAL : PHOSPHOR BRONZE 0.35mm THICKNESS OR 0.46mm.
- PLATING : GOLD PLATING OVER NICKEL.
- PCB RETENTION PRE-SOLDER : 1 LB MIN.
- PCB RETENTION POST-SOLDER: 10 LBS MIN.

**ENVIRONMENTAL:**

- STORAGE : -40°C TO +85°C.
- OPERATION: -40°C TO +85°C.
- SOLDERING TEMPERATURE: 255~265°C 5~10SECONDS.

MATES WITH MODULAR PLUG CONFORMING TO FCC PART 68, SUBPART F. UL FILE No:E163191

M5-LED1&LED2:G+O TOP TABS LEFT&RIGHT NO TABS SHIELD  
 V2-LED1&LED2:Y+G TOP TABS LEFT&RIGHT NO TABS SHIELD  
 22-LED1 & LED2:GREEN TOP TABS SHIELD  
 32-LED1:YELLOW LED2:GREEN TOP TABS SHIELD  
 42-LED1 & LED2:G+Y TOP TABS SHIELD  
 W5-LED1 R+Y& LED2: GREEN NO TAB SHIELD

PLATING: 1-3u" 2-6u" 3-15u" 4-30u" 5-50u"  
 1-PLATE Tin SHIELD,STAMP PIN,LED LONG 7.00  
 2-PLATE Ni SHIELD,STAMP PIN,LED LONG 7.00  
 3-PLATE Tin SHIELD,ROUND PIN,LED LONG 7.00  
 4-PLATE Ni SHIELD,ROUND PIN,LED LONG 7.00

S-4 PORTS,W/O MIDDLE POLE&SHIELD W/O BEHIND LEG.  
 H-4 PORTS,SHIELD W/O BEHIND LEG.

|  |  |  |  |   |  |
|--|--|--|--|---|--|
| DFTO YANGLAN DATE 07/04/05*<br>CHKD ASHELLY DATE 2005/11/3<br>MFO DATE<br>APPVL LUSHENG DATE 2005/11/3 |  | <b>FULL RISE ELECTRONIC CO., LTD</b>           |  |   |  |
| TOLERANCES EXCEPT AS NOTED<br>MM ± .020<br>.00 ± 0.15<br>.000 ± 0.075                                  |  |  |  | TITLE<br>RJ45 SIDE ENTRY LED GANG JACK 4 PORTS                        |  |
| DETACHED LISTS<br>ANGLES ±<br>THIRD ANGLE PROJECTION   |  | MATERIAL :<br>QTY :<br>FINISH :<br>SCALE : 2:1 |  | DRAWING NO. GE5J3202-LA<br>/PART NO. SEE NOTE<br>DO NOT SCALE DRAWING |  |
|  |  | SIZE REV<br>A3 4                               |  | SHEET X OF Y  |  |