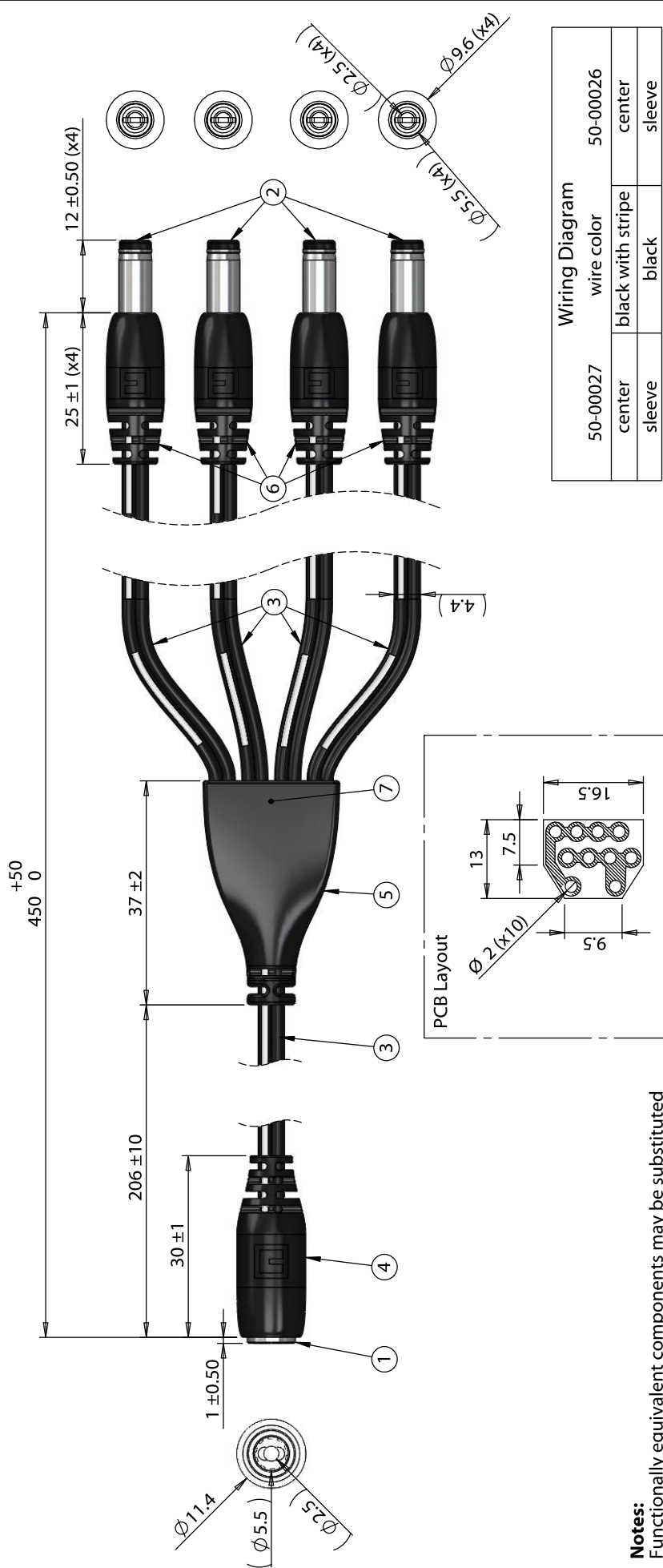


ITEM NO.	PART NUMBER	DESCRIPTION	QTY.	COMPONENT NOTES
1	50-00027	Connector, dc jack, 5.5x2.5x17.4 mm, molding style	1	
2	50-00026	Connector, dc plug, 5.5x2.5xL23 mm, molding style, spring contacts	4	
3	30-00007	Wire, 2C BC, 18 AWG, UL2468, 300V, 80C, 4.4 mm, VW-1, PVC, 87A	5	
4	24-00004	Overmold, PVC	1	black
5	24-00219	Overmold, splitter, Ø 8.0 mm by 10.0x22.6 mm	1	black
6	24-00003	Overmold, PVC	4	black
7	PCB	Splitter PCB, FR4, two-layer, tin, 13.0x16.5x1.6 mm	1	



Notes:
Functionally equivalent components may be substituted

Revision:	Date:	Description:	Prepared:	Notes:
A	4/10/2018	Initial release	JP Digitally signed by JP Date: 2018.04.11 11:06:41 -0700	RoHS compliant
			AW Digitally signed by AW Date: 2018.04.11 16:21:12 -0700	Function test: no open, no short circuit, no intermittent
			Dimensions are in millimeters.	Description:
			Tolerances:	Cable, 450 mm, 5.5x2.5 mm 50-00027 dc jack to splitter to 4x 5.5x2.5x12 mm 50-00026 dc plug, 18 AWG
			X: ± 0.5 mm	
			X.X: ± 0.3 mm	
			X.XX: ± 0.05 mm	
			Size:	Part number:
			A	10-02727
			Scale: 1:1	Sheet 1 of 1