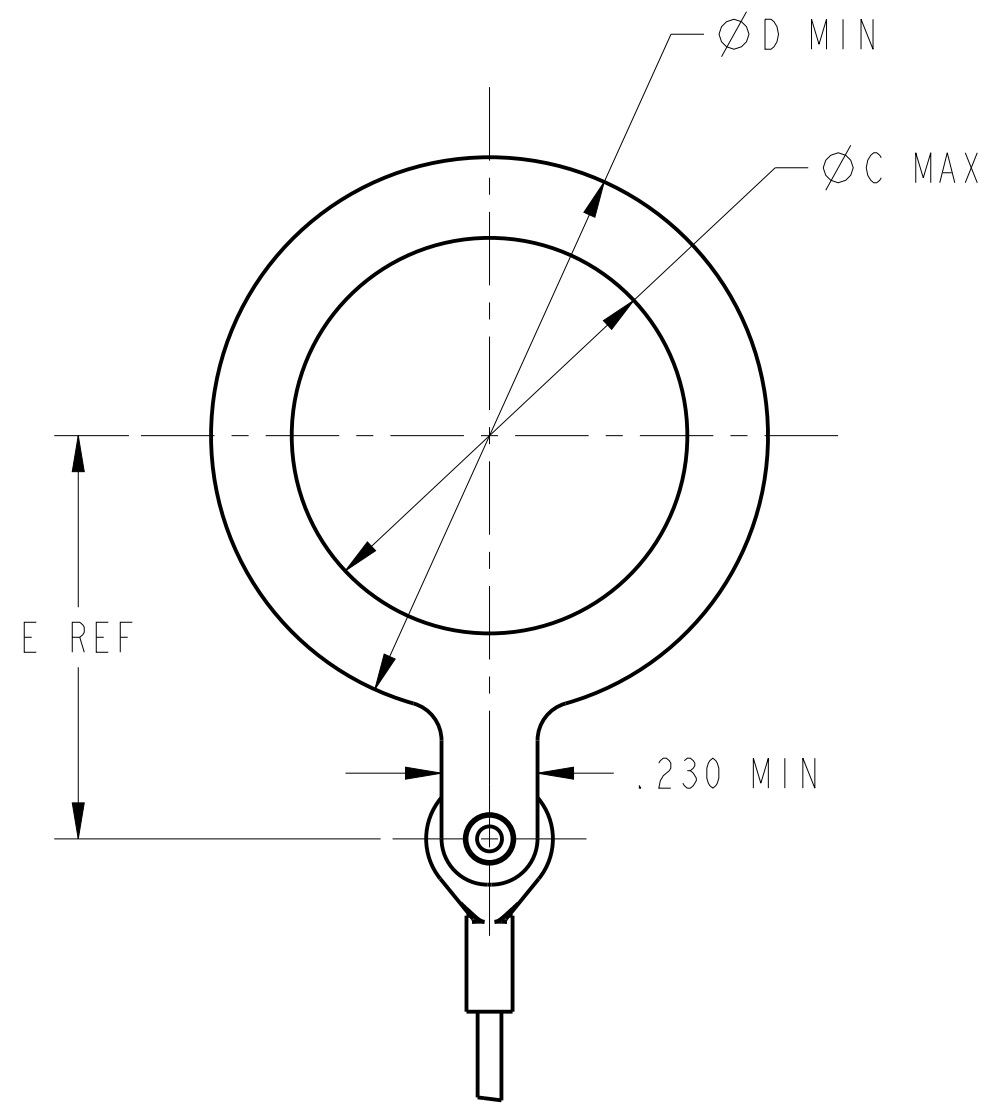
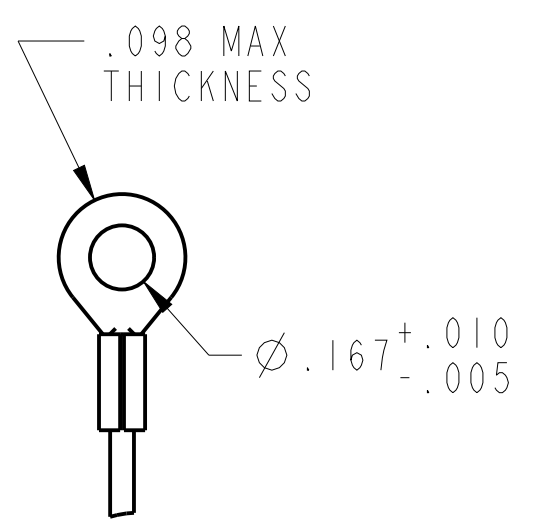


THIS DRAWING IS UNPUBLISHED. RELEASED FOR PUBLICATION 180226
 © COPYRIGHT 180226 TYCO CONNECTORS ALL RIGHTS RESERVED.

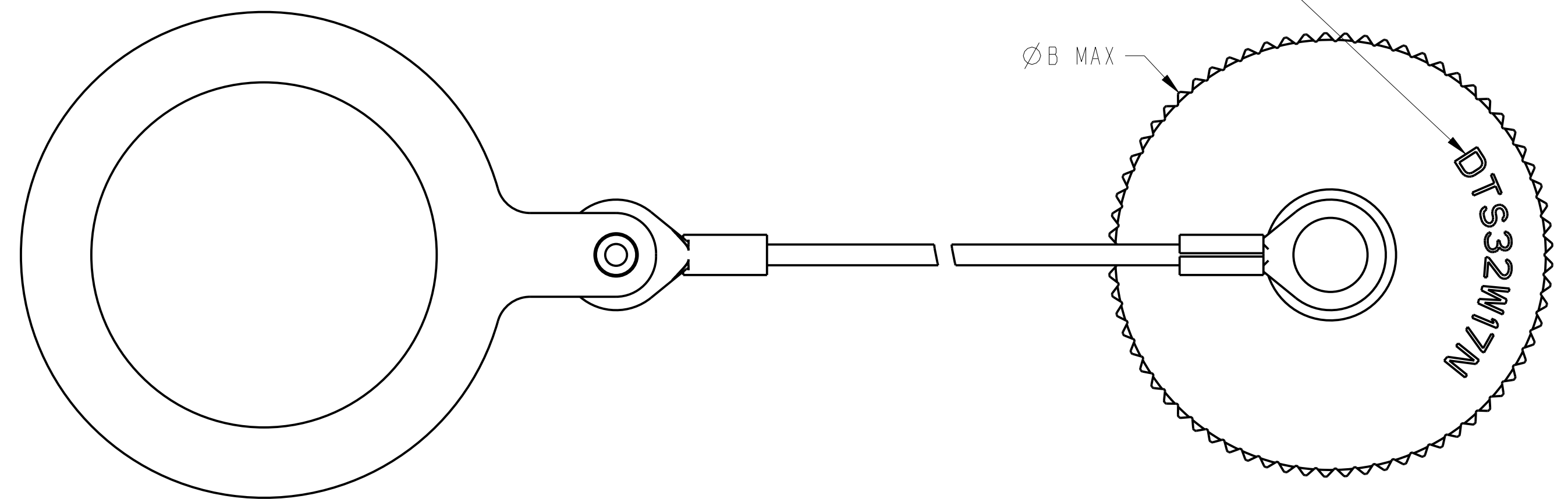
REVISIONS					
P	LTR	DESCRIPTION	DATE	DWN	APVD
A		REVISED PER ECO-18-011680	24JUL2018	NGP	AK
B		REVISED PER ECO-21-004883	210421	DM	AR



STYLE N



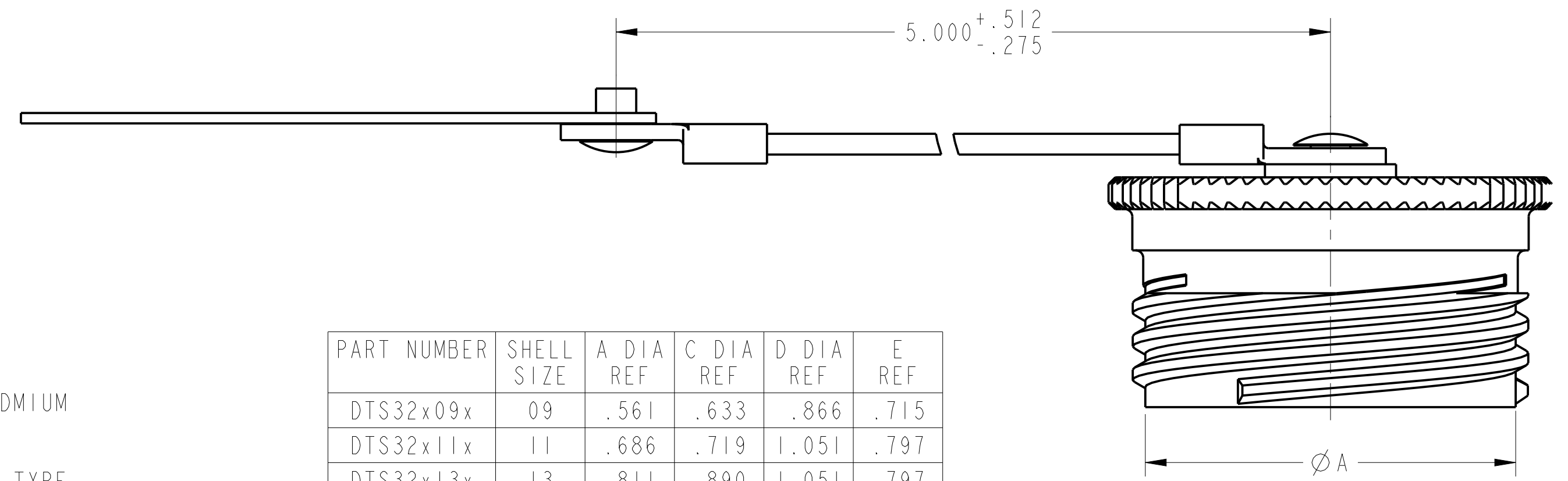
STYLE R



PART NUMBER EXAMPLE

DTS32 W 17 N - XXXX

- MODIFICATION
- STYLE R = ROPE
N = RING LANYARD
- SHELL SIZE
- CLASS F = NICKEL
T = TEFLON NICKEL
W = OLIVE DRAB CADMIUM
Z = ZINC NICKEL
- SERIES MIL-DTL-38999/32 TYPE



PART NUMBER	SHELL SIZE	A DIA REF	C DIA REF	D DIA REF	E REF
DTS32x09x	09	.561	.633	.866	.715
DTS32x11x	11	.686	.719	1.051	.797
DTS32x13x	13	.811	.890	1.051	.797
DTS32x15x	15	.936	.999	1.201	.875
DTS32x17x	17	1.107	1.205	1.441	.997
DTS32x19x	19	1.170	1.205	1.441	1.083
DTS32x21x	21	1.295	1.275	1.614	1.093
DTS32x23x	23	1.420	1.349	1.697	1.250
DTS32x25x	25	1.543	1.579	1.790	1.280

MC: 63 FINISH: **=DPS #1 APPLIES
 DESCRIPTION:
 SERIES III, COVER, PLUG
 MIL-DTL-38999/32 TYPE
 CAGE CODE: 11139

3. GENERAL SPECIFICATIONS: THIS COVER MEETS THE PERFORMANCE AND INTERMATEABILITY REQUIREMENTS OF MIL-DTL-38999

2 MATERIAL/FINISH: CAP - ALUMINUM ALLOY, PLATING PER PART NUMBER EXAMPLE DESCRIPTION
 RING AND FASTENERS - STAINLESS STEEL, PASSIVATED
 ROPE - INSULATED STAINLESS STEEL, PASSIVATED
 RESILIENT GASKET - SILICONE ELASTOMER

1. ALL DIMENSIONS ARE IN INCHES.

THIS DRAWING IS A CONTROLLED DOCUMENT.

DIMENSIONS: INCHES	TOLERANCES UNLESS OTHERWISE SPECIFIED: 0 PLC ±.100 1 PLC ±.010 2 PLC ±.005 3 PLC ±.0005 4 PLC ANGLES ±.5° FINISH	DWN: SAMUEL S. 190312 CHK: SAMUEL S. 180312 APVD: ALEX RENGLEO 180312 PRODUCT SPEC: MIL-DTL-38999 APPLICATION SPEC: - WEIGHT: -	NAME: PLUG, PROTECTIVE COVER, SERIES III, MIL-DTL-38999/32 TYPE ENVELOPE SIZE: A2 CAGE CODE: 11139 DRAWING NO: C-DTS32XXXX RESTRICTED TO: -
MATERIAL: 2	2	CUSTOMER DRAWING	SCALE: 2.000 SHEET 1 OF 1 REV B