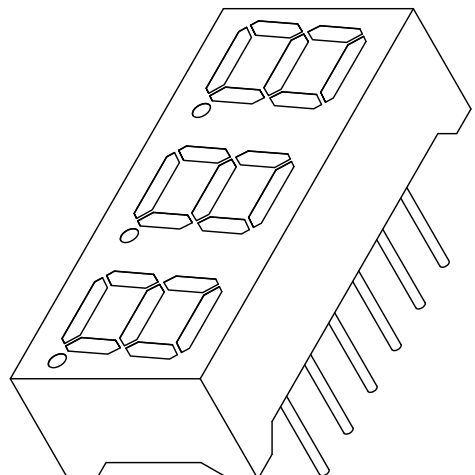
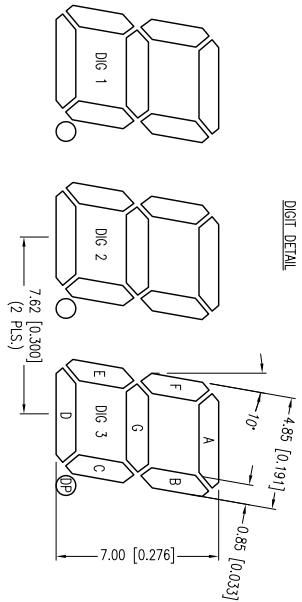
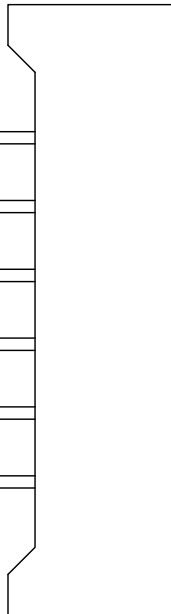
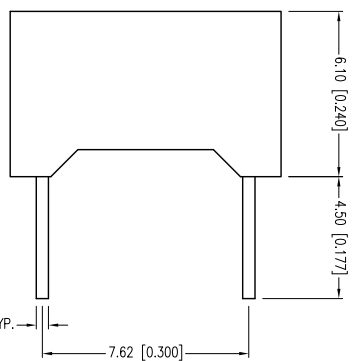
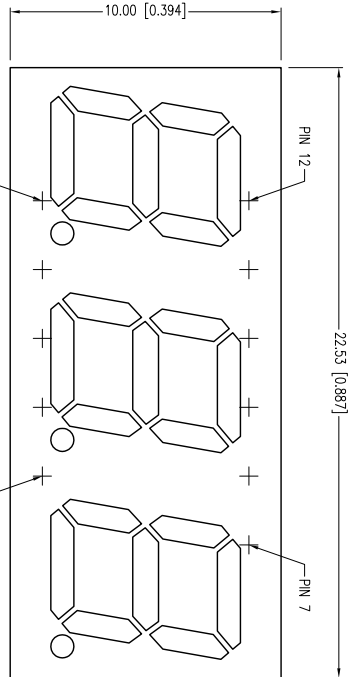


PART NUMBER	LDT-N2804RI	REV.	A
DATE	07.26.12	REV.	A
E.C.N. #10BRDR. & REDRAWN.		E.C.N. NUMBER AND REVISION COMMENTS	



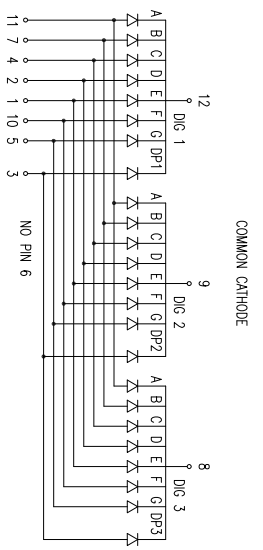
ELECTRO-OPTICAL CHARACTERISTICS  $I_F=10mA$

PARAMETER	MIN	TYP	MAX	UNITS	TEST COND
PEAK WAVELENGTH		635		nm	
FORWARD VOLTAGE		2.0	2.5	V <sub>F</sub>	$I_F=100\mu A$
REVERSE VOLTAGE	5.0			V <sub>R</sub>	
AXIAL INTENSITY		1400		$\mu cd$	$I_F=10mA$
EMITTED COLOR:		RED			
FACE COLOR:		GRAY			
LENS FINISH:		MILKY WHITE DIFFUSED			

LIMITS OF SAFE OPERATION AT 25°C PER CHIP

PARAMETER	MAX	UNITS
PEAK FORWARD CURRENT*	150	mA
STEADY CURRENT	30	mA
POWER DISSIPATION	105	mW
DERATE FROM 25°C	-1.2	mW/°C
OPERATING TEMP.	-40 TO +85	°C
STORAGE TEMP.	-40 TO +85	°C
SOLDERING TEMP.	+260	°C
2.0mm FROM BODY	3	SEC.

\* I<10μs



REPLACES PART #: LDT-N284RI

\*UNLESS OTHERWISE SPECIFIED TOLERANCES PER DECIMAL PRECISION ARE: X=±1 (±0.025), X.X=±0.5 (±0.020), X.XX=±0.25 (±0.010), X.XXX=±0.127 (±0.005), LEAD SIZE=±0.05 (±0.002), LEAD LENGTH=±0.75 (±0.030), MIN.= -0.00, DECIMAL PRECISION MAX.= +0.00, DECIMAL PRECISION

QUASARBRITE 0.28" 3 DIGIT, 75GMPT DISPLAY, 635nm RED, COMMON CATHODE.

**LUMEX**  
 Creating LED and LCD Solutions Together™  
 290 E. HELEN ROAD  
 PALMATE, IL 60067-6976  
 PHONE: +1.847.359.2790  
 FAX: +1.847.359.6538  
 WEB: WWW.LUMEX.COM  
 MEMBER OF JTW PHOTONICS GROUP

CONFIDENTIAL INFORMATION  
 THE INFORMATION CONTAINED IN THIS DOCUMENT IS THE PROPERTY OF LUMEX INC. EXCEPT AS SPECIFICALLY AUTHORIZED IN WRITING BY LUMEX INC., THE HOLDER OF THIS DOCUMENT SHALL KEEP ALL INFORMATION CONTAINED HEREIN CONFIDENTIAL AND SHALL PROTECT SAME IN WHOLE OR IN PART FROM DISCLOSURE AND DISSEMINATION TO ALL THIRD PARTIES.

UNCONTROLLED DOCUMENT

DATE:	07.26.12	DRAWN BY:	AB
PAGE:	1 OF 1	CHKD BY:	SS
SCALE:	NTS	APRVD BY:	SS
UNIT:	mm [INCH]		