


# ROCKER SWITCHES

PRODUCT NUMBER 1855.0108



## TECHNICAL DATA

<b>Product number</b>	<b>1855.0108</b>	
Actuator color / printing		
Product family	Rocker switches	
Actuation type	direct	
Weight	4.220 g	
ROHS conform	yes	
Switching function	ON / OFF switch (DPST)	
Material fixed contact	Ag	
Number of poles	2 - pole	
connections	Solder terminal	
Mechanical life endurance	5E4	
Rating IEC	4 (1) A 250 V AC 1E4	
Rating North America	4 A 250 V AC 1/10 HP	
Contact resistance (new condition)	< 100 (1 A 12 V DC) mOhm	
Insulation resistance (new condition)	> 100 (500 V DC) MOhm	
Voltage strength at 250 V	→ function insulation / basic insulation	1 500 V
	→ reinforced insulation	3 000 V

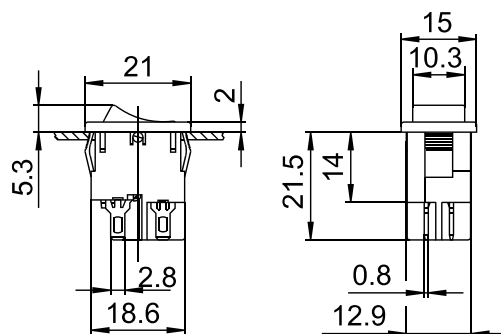
	→ small contact distance	500 V
Proof tracking	250 PTI	
Insulation spacing	acc. to EN 61058 for reinforced or double insulation	
Protection type	→ Connection → Actuator	IP 40 IP 40
Ambient temperature	-20 °C ... +85 °C	
Ambient temperature	-20 °C ... +55 °C	
Storage temperature	-40 °C ... +80 °C	
Flammability	UL 94 V-2	
Glow wire test temperature	850 °C	
Actuators and additional actuators	rocker: PA, transparent green, identification white on top visible in OFF position	
Housing description	housing: PA, black	
Connection surface	→ bearing connection → external connection	silver plated silver plated
Contact material	Ag	
Contact distance	≥ 3 mm	
Lighting	function illumination: glow lamp, 230 V, green	
Rating Code UL	R 69	
Contact type	lifting contact	
Plug force of the terminals	≤ 80 N	
Operating force	≤ 5 N	
Approval marks	CSA / UL / ENEC 05	
Suitable for appliances of protection class	II	
Additional labeling	site, year, month of manuf. acc. to DIN EN 60062	

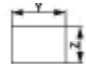
Type of fastening	Snap fastening
Degree of pollution	3
Stock version	●

## PRODUCT IMAGE



## DRAWINGS



	X	Y	Z
	0.75 ... 1.25	19.2 -0.1	12.9 +0.1
	1.25 ... 2	19.4 -0.1	12.9 +0.1
	2 ... 3	19.8 -0.1	12.9 +0.1

X = wall thickness

Technical changes reserved. Dimensions are not binding.  
Detailed specifications available on request.

Marquardt GmbH · Schloss-Straße 16 · 78604 Rietheim-Weilheim · Germany  
Phone: +49 (0) 7424 / 99-0 · Fax: +49 (0) 7424 / 99-2399 · [www.marquardt.com](http://www.marquardt.com) · [marquardt@marquardt.de](mailto:marquardt@marquardt.de)