

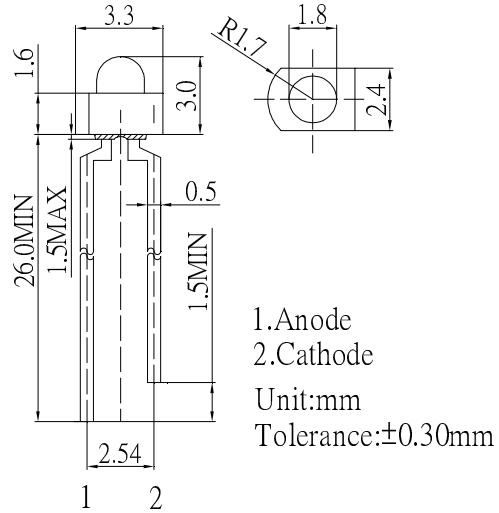
■Features

- High Luminous LEDs
- 1.8mm Tower Standard Directivity
- Superior Weather-resistance
- Flashing Type
- Color & White Diffused Type

■Applications

- Toys
- Games
- Audio
- Other Lighting

■Outline Dimension



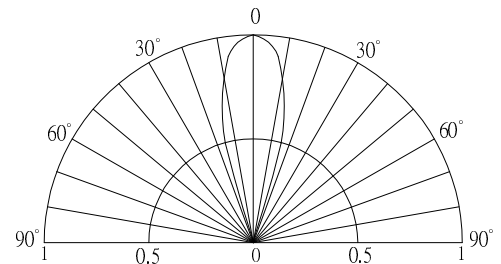
■Absolute Maximum Rating

(Ta=25°C)

Item	Symbol	Value		Unit
		R/O/Y/YG/PG/B/W/M		
Power Supply	Voltage	5		V
Duty Cycle	Duty	1/2		-
Operating Temperature	Topr	-30 ~ +85		°C
Storage Temperature	Tstg	-40 ~ +100		°C
Lead Soldering Temperature	Tsol	260°C/5sec		-

*Pulse width Max 0.1ms, Duty ratio max 1/10

■Directivity



■Electrical -Optical Characteristics

(Ta=25°C)

Part Number	Color		VF (V)			Iv(mcd)*			λD(nm)*			Fled (Hz)*	2θ1/2 (deg)
			Min.	Typ.	Max.	Typ.	Typ.	Max.	Min.	Typ.	Max.	Typ.	Typ.
			IF=20mA			IF=20mA							
OSW5YS7332A	Cool White	W	3.0	3.5	5.0	330	500	-	7000-18000K			1.8	30
OSM5YS7332A	Warm White	M	3.0	3.5	5.0	220	330	-	2500-3500K				
OSB4YS7334A	Blue	B	3.0	3.5	5.0	150	220	-	455	460	465		
OSG5TS7334A	Pure Green	PG	3.0	3.5	5.0	220	330	-	520	525	530		
OSG8HS7334A	Yellow Green	YG	3.0	3.3	5.0	45	68	-	565	570	575		
OSY5JS7334A	Yellow	Y	3.0	3.3	5.0	68	100	-	585	590	595		
OSO5JS7334A	Orange	O	3.0	3.3	5.0	100	150	-	600	605	610		
OSR5JS7334A	Red	R	3.0	3.3	5.0	68	100	-	620	625	630		

Note: *1. Dominant wavelength tolerance: ±1nm *2. Tolerance of luminous intensity is ±15% *3. Tolerance of Frequency is ±20%