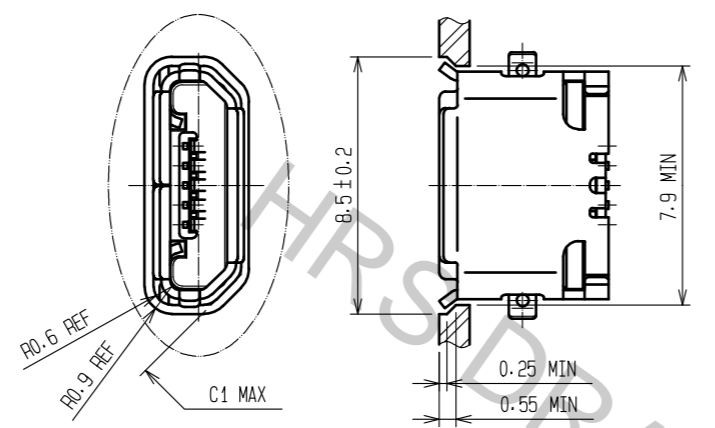
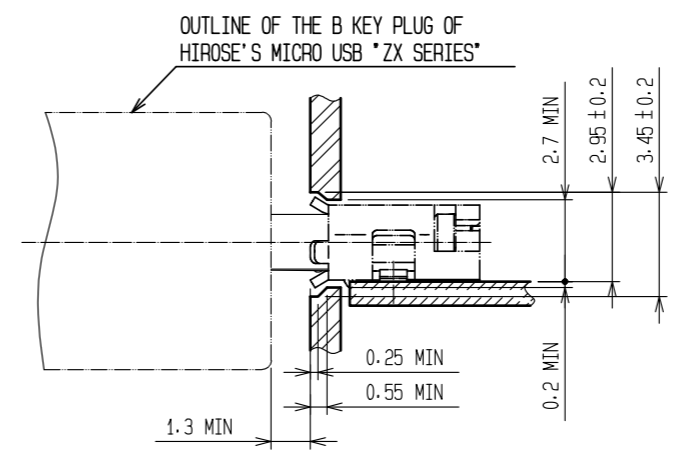


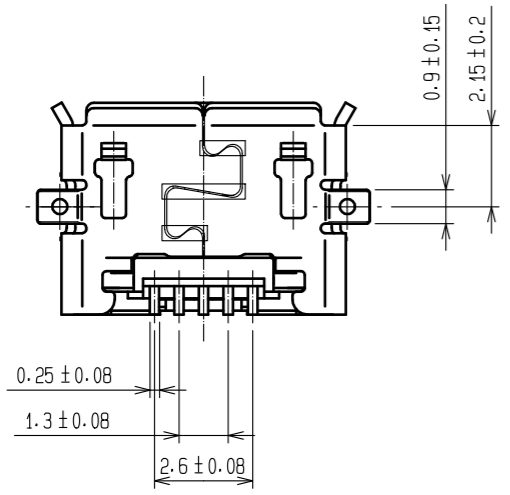
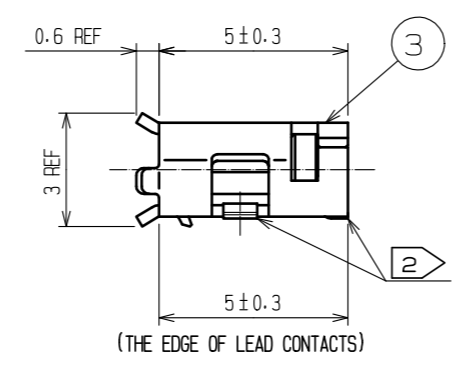
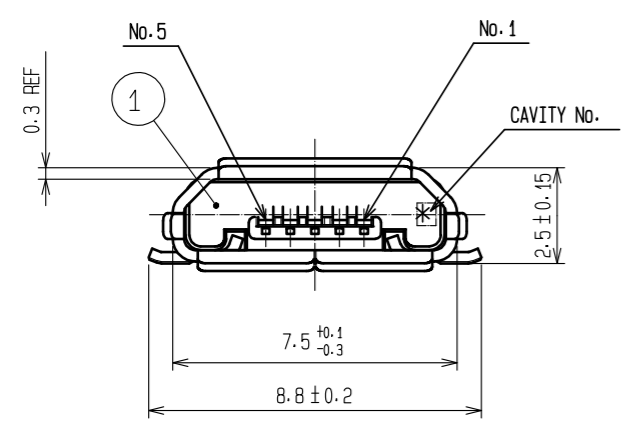
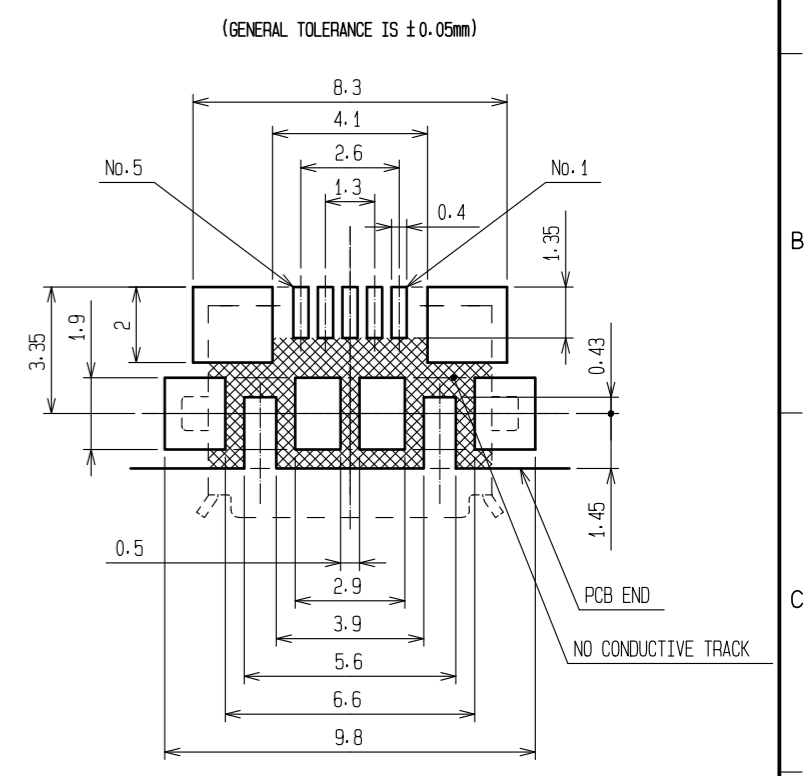
RECOMMENDED PANEL CUTOUT (4:1)



MATED WITH CORRESPONDING PLUG (4:1)



PCB LAYOUT

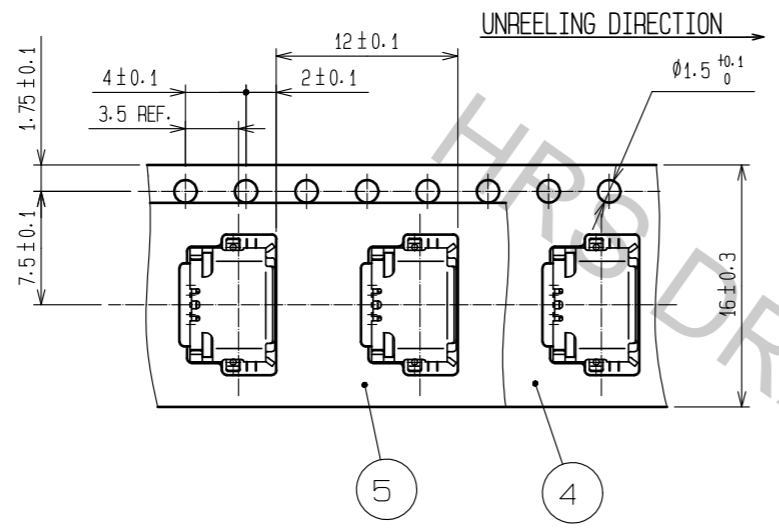


- NOTES
- 1 INTERFACE DIMENSIONS CONFORM TO USB2.0 SPECIFICATION.
  - 2 CO-PLANARITY IS WITHIN 0.08 mm.
  - 3 PLATING  
CONTACT AREA : GOLD 0.75 μm MIN.  
LEAD AREA : GOLD 0.05 μm MIN.  
UNDER PLATING : NICKEL 2 μm MIN.
  - 4 PER REEL : 2000 PCS.
  - 5 CODE CONFIGURATION IS SHOWN IN FIG.1

|                               |              |                  |                |                 |                                 |                  |         |      |
|-------------------------------|--------------|------------------|----------------|-----------------|---------------------------------|------------------|---------|------|
| 2                             | COPPER ALLOY | 3                | 5              | PE              |                                 |                  |         |      |
| 1                             | LCP          | BLACK • UL94V-0  | 4              | PS              |                                 |                  |         |      |
|                               |              |                  | 3              | STAINLESS STEEL | TIN PLATING 1 μm MIN. LUBRICANT |                  |         |      |
| NO.                           | MATERIAL     | FINISH . REMARKS | NO.            | MATERIAL        | FINISH . REMARKS                |                  |         |      |
| UNITS                         | mm           | SCALE            | 5 : 1          | COUNT           | DESCRIPTION OF REVISIONS        | DESIGNED         | CHECKED | DATE |
| HRS HIROSE ELECTRIC CO., LTD. |              | APPROVED         | NM. NISHIMATSU | 15.10.27        | DRAWING NO.                     | EDC-126271-30-00 |         |      |
|                               |              | CHECKED          | KN. ICHIKAWA   | 15.10.27        | PART NO.                        | ZX62R-B-5P(30)   |         |      |
|                               |              | DESIGNED         | TS. ITO        | 15.10.27        | CODE NO.                        | CL242-0028-8-30  |         |      |
|                               |              | DRAWN            | AK. AKIYAMA    | 15.10.27        |                                 | 1/2              |         |      |

May.1.2017 Copyright 2017 HIROSE ELECTRIC CO., LTD. All Rights Reserved.

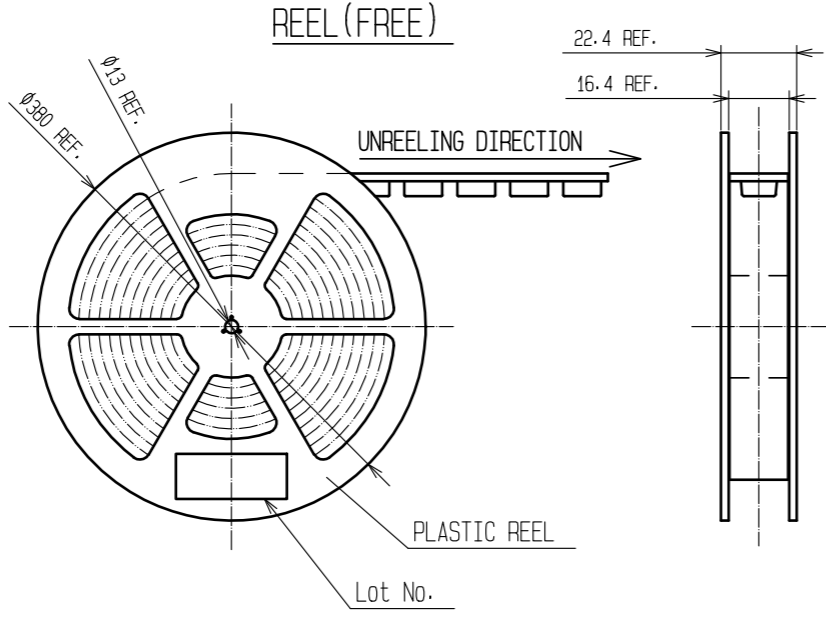
4 DRAWING FOR PACKING (2:1)



5 Fig.1 LOT CODE CONFIGURATION FOR 3 DIGITS

| YEAR | CODE | MONTH |      | DAY |      |     |      |     |      |
|------|------|-------|------|-----|------|-----|------|-----|------|
|      |      | MONTH | CODE | DAY | CODE | DAY | CODE | DAY | CODE |
| 2007 | 7    | Jan.  | A    | 1   | 1    | 11  | B    | 21  | M    |
| 2008 | 8    | Feb.  | B    | 2   | 2    | 12  | C    | 22  | N    |
| 2009 | 9    | Mar.  | C    | 3   | 3    | 13  | D    | 23  | P    |
| 2010 | 0    | Apr.  | D    | 4   | 4    | 14  | E    | 24  | Q    |
| 2011 | 1    | May.  | E    | 5   | 5    | 15  | F    | 25  | R    |
|      |      | Jun.  | F    | 6   | 6    | 16  | G    | 26  | S    |
|      |      | Ju1.  | G    | 7   | 7    | 17  | H    | 27  | T    |
|      |      | Aug.  | H    | 8   | 8    | 18  | J    | 28  | U    |
|      |      | Sep.  | I    | 9   | 9    | 19  | K    | 29  | V    |
|      |      | Oct.  | J    | 10  | A    | 20  | L    | 30  | W    |
|      |      | Nov.  | K    |     |      |     |      | 31  | X    |
|      |      | Dec.  | L    |     |      |     |      |     |      |

REEL (FREE)



|            |             |                  |
|------------|-------------|------------------|
| <b>HRS</b> | DRAWING NO. | EDC-126271-30-00 |
|            | PART NO.    | ZX62R-B-5P(30)   |
|            | CODE NO.    | CL242-0028-8-30  |

2/2