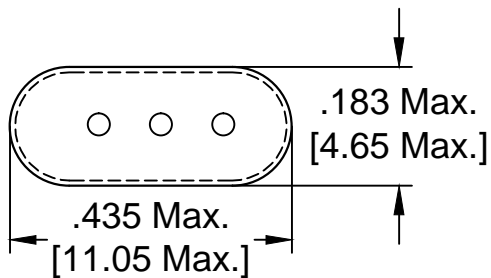
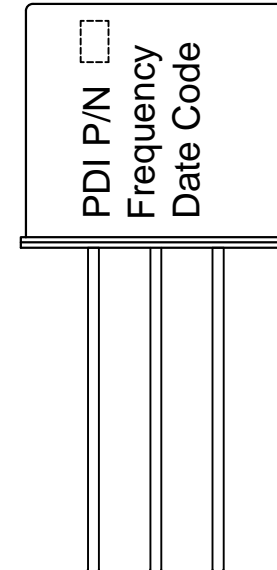
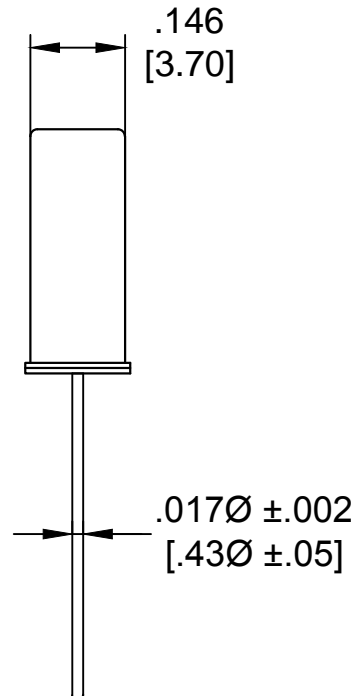
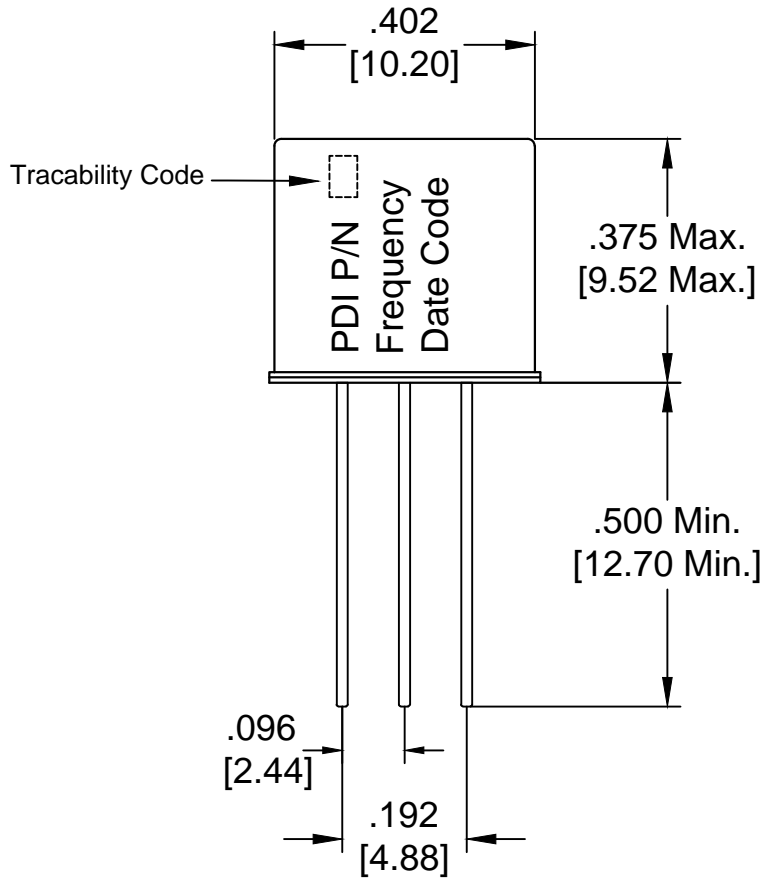






Black Color Code



# Precision Devices Inc.

8840 N. Greenview Dr.  
Middleton WI 53562  
608-831-4445  
1-800-274-XTAL



Manufacturer of Quartz Crystal Products

DECIMAL XX=±.020 XXX=±.008	PART NUMBER <b>FTR-3565</b>		DRAWN BY <b>D. Gibney</b>
METRIC XX=±.50 XXX=±.20	SCALE <b>N.T.S.</b>	FREQUENCY <b>21.400 MHz</b>	DATE <b>4/9/2012</b>
ANGULAR XX=±2°	REV. LEVEL <b>N/A</b>	ECN NO. <b>N/A</b>	CAGE CODE <b>0S4G1</b>