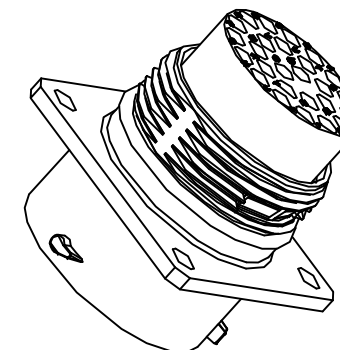
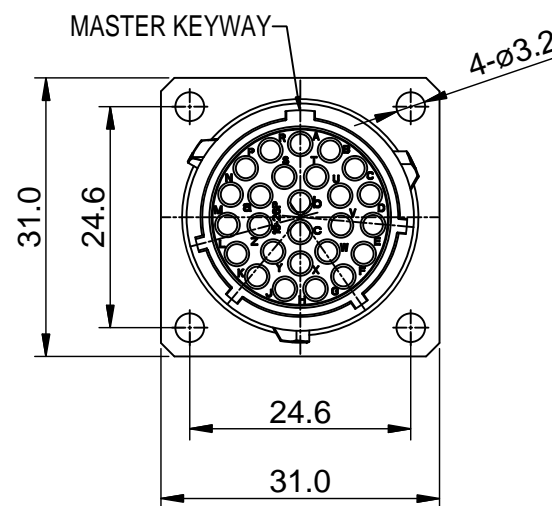
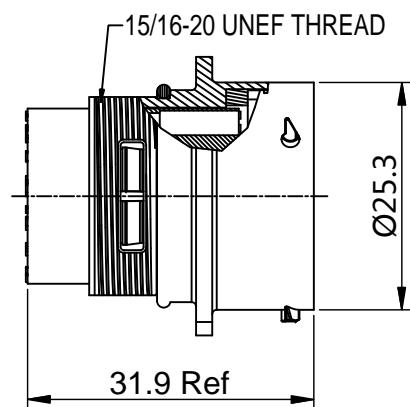
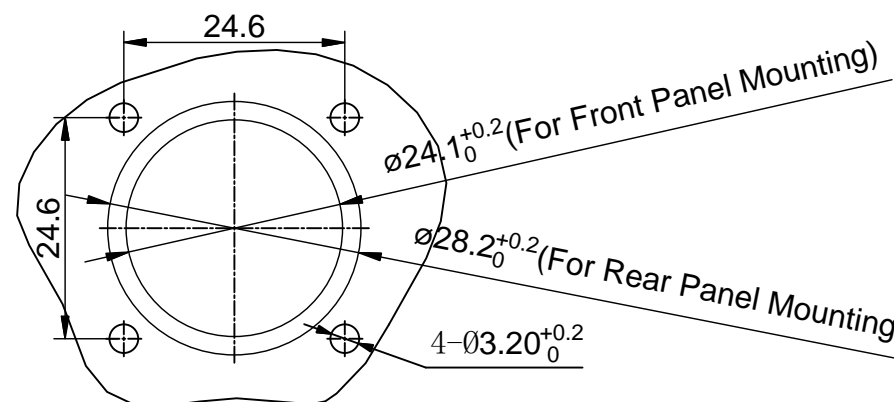


| REVISIONS | | | | | |
|-----------|-----|------------------|--------------|-----|-------|
| REV | ECO | DESCRIPTION | DATE | BY | APPR |
| B1 | - | RELEASED DRAWING | JULY-04-2014 | BEN | TOMMY |



NOTES : (UNLESS OTHERWISE SPECIFIED)

- MATERIAL :
SHELL : ZINC ALLOY , NICKEL PLATED.
INSERT : THERMOPLASTIC , UL94 V-0.
SEAL GASKET : NBR.
O-RING : NBR.
- SPECIFICATIONS :
 - RATED CURRENT :
 - STAMPED CONTACT 5A (MAX).
 - MACHINED CONTACT 7.5A(MAX).
 - RATED VOLTAGE : 150V (AC/DC) .
 - OPERATING TEMPERATURE : -40°C ~ +105°C.
 - DIELECTRIC WITHSTANDING VOLTAGE : LESS THAN 2 MILLIAMPS CURRENT LEAKAGE@1500 VOLTS AC.
 - INSULATION RESISTANCE : 5000 MEGOHMS MIN.
 - IP--CLASS : IP67.
 - MATING CYCLES DURABILITY : 500 CYCLES(MIN).
 - ROHS COMPLIANT.
- SUITABLE CONTACTS : 20# CONTACTS.
- ALL DIMENSIONS ARE FOR REFERENCE USE ONLY.



PANEL CUT OUT REFERENCE

| KEY POS | PART NUMBER |
|---------|--------------|
| N | RT0W01626PNH |
| W | RT0W01626PWH |
| X | RT0W01626PXH |
| Y | RT0W01626PYH |
| Z | RT0W01626PZH |

| QUANTITY | SEE PART NUMBER PART NUMBER | DESCRIPTION | ITEM |
|---|--------------------------------|--|---|
| MATERIALS LIST | | | |
| UNLESS OTHERWISE SPECIFIED 1) All dimensions are in metric(mm). 2) Tolerances are as follows: 1 PL DEC ±0.30 2 PL DEC ±0.15 3 PL DEC ±0.08 Fractions ±1/64 Angles ±1° 3) Note reference = | | SIGNATURES DRAWN: BEN CHECKED: ENGINEER: APPROVAL: DATE JULY-04-2014 | Amphenol Sine Systems - www.amphenol-sine.com 44724 Morley Drive Clinton Township, MI 48036 |
| MATERIAL SPECIFICATIONS: | | CUSTOMER: | ECO-MATE, RECEPTACLE, SIZE 16,26POS,PIN. |
| PROCESS SPECIFICATIONS: | | THIS DRAWING IS SUPPLIED FOR INFORMATION ONLY. DESIGN FEATURES, SPECIFICATIONS AND PERFORMANCE DATA SHOWN HEREON ARE THE PROPERTY OF THE AMPHENOL CORPORATION. NO RIGHTS OF REPRODUCTION ARE IMPLIED. ALL DIMENSIONS ARE SUBJECT TO NORMAL MANUFACTURING VARIATIONS. | |
| NEXT ASSY: | | SIZE: B TYPE: C- DWG NO.: RT0W01626P*H REVISION: B1 SCALE: NONE SHEET 1 OF 1 | |

TITLE: ECO-MATE, RECEPTACLE, SIZE 16,26POS,PIN. DWG NO.: RT0W01626P*H REV: B1 SH: 1 OF: 1

ecomate® RM/RSSM/Aquarius™ - Contact Size 20 Options

| Machined, Crimp Contacts | | | | |
|--------------------------|------------|-------|-------------------------------|------------|
| Part Number | | AWG | Wire Range (mm ²) | Plating |
| Male | Female | | | |
| MP20W23F | MS20W23F | 22-20 | .34-.50 | Gold Flash |
| MP20W23G5 | MS20W23G5 | 22-20 | .34-.50 | Gold 5μ" |
| MP20W23G10 | MS20W23G10 | 22-20 | .34-.50 | Gold 10μ" |
| MP20W23G15 | MS20W23G15 | 22-20 | .34-.50 | Gold 15μ" |
| MP20W23G30 | MS20W23G30 | 22-20 | .34-.50 | Gold 30μ" |
| MP24W23F | MS24W23F | 26-24 | .13-.25 | Gold Flash |
| MP24W23G5 | MS24W23G5 | 26-24 | .13-.25 | Gold 5μ" |
| MP24W23G10 | MS24W23G10 | 26-24 | .13-.25 | Gold 10μ" |
| MP24W23G15 | MS24W23G15 | 26-24 | .13-.25 | Gold 15μ" |
| MP24W23G30 | MS24W23G30 | 26-24 | .13-.25 | Gold 30μ" |
| MP28W23F | MS28W23F | 30-28 | .05-.08 | Gold Flash |
| MP28W23G5 | MS28W23G5 | 30-28 | .05-.08 | Gold 5μ" |
| MP28W23G10 | MS28W23G10 | 30-28 | .05-.08 | Gold 10μ" |
| MP28W23G15 | MS28W23G15 | 30-28 | .05-.08 | Gold 15μ" |
| MP28W23G30 | MS28W23G30 | 30-28 | .05-.08 | Gold 30μ" |

| Stamped & Formed, Crimp Contacts | | | | |
|----------------------------------|-----------|-------|-------------------------------|------------|
| Part Number | | AWG | Wire Range (mm ²) | Plating |
| Male | Female | | | |
| SP20W2F | SS20W2F | 22-20 | .34-.50 | Gold Flash |
| SP20W2G5 | SS20W2G5 | 22-20 | .34-.50 | Gold 5μ" |
| SP20W2G10 | SS20W2G10 | 22-20 | .34-.50 | Gold 10μ" |
| SP20W2G15 | SS20W2G15 | 22-20 | .34-.50 | Gold 15μ" |
| SP20W2G30 | SS20W2G30 | 22-20 | .34-.50 | Gold 30μ" |
| SP24W2F | SS24W2F | 26-24 | .14-.25 | Gold Flash |
| SP24W2G5 | SS24W2G5 | 26-24 | .14-.25 | Gold 5μ" |
| SP24W2G10 | SS24W2G10 | 26-24 | .14-.25 | Gold 10μ" |
| SP24W2G15 | SS24W2G15 | 26-24 | .14-.25 | Gold 15μ" |
| SP24W2G30 | SS24W2G30 | 26-24 | .14-.25 | Gold 30μ" |
| SP28W2F | SS28W2F | 30-28 | .05-.08 | Gold Flash |
| SP28W2G5 | SS28W2G5 | 30-28 | .05-.08 | Gold 5μ" |
| SP28W2G10 | SS28W2G10 | 30-28 | .05-.08 | Gold 10μ" |
| SP28W2G15 | SS28W2G15 | 30-28 | .05-.08 | Gold 15μ" |
| SP28W2G30 | SS28W2G30 | 30-28 | .05-.08 | Gold 30μ" |

| Tooling, Machined | |
|-------------------|--|
| Part Number | Description |
| QXRT20 | Contact Extraction Tool, #20 (Ø 1.0) Contact |
| MFY-3959 | Hand Crimp Tool for Machined Contacts |
| MFY-3960 | Pneumatic Crimp Tool for Machined Contact |
| | |

| Tooling, Stamped & Formed | |
|---------------------------|--|
| Part Number | Description |
| QXRT20 | Contact Extraction Tool, #20 (Ø 1.0) Contact |
| MFY-3958 | Hand Tool, Stamped & Formed Contact, Size 20, 20-28AWG |
| MFY-3957 | Crimp Die for Stamped & Formed Contact |
| | |

| Plating Options | |
|-----------------|--|
| Symbol | Plating |
| T | Tin Plated (for Stamped & Formed Contacts) |
| S | Silver Plated 5Um (for Machined Contacts) |
| F | Gold Plated |
| G5 | Gold Plated (Thickness 5μ") |
| G10 | Gold Plated (Thickness 10μ") |
| G15 | Gold Plated (Thickness 15μ") |
| G30 | Gold Plated (Thickness 30μ") |

| Standard Quantity Order Options | |
|---------------------------------|-------------------|
| Machined | Stamped & Formed |
| Bulk Package, 500 Pieces | Reel, 3000 Pieces |

Amphenol Sine Systems
 44724 Morley Drive
 Clinton Township, MI 48036 USA
www.amphenol-sine.com
 04/2021

ecomate® RM/RSSM - Contact Size 20, PC Tail Options

| Machined, PC Tail Contacts | | | | |
|----------------------------|---------------|-----|---------------|------------|
| Part Number | | AWG | Description | Plating |
| Male | Female | | | |
| MP20W12E06F | MS20W12E06F | 20 | Short Version | Gold Flash |
| MP20W12E06G5 | MS20W12E06G5 | 20 | Short Version | Gold 5μ" |
| MP20W12E06G10 | MS20W12E06G10 | 20 | Short Version | Gold 10μ" |
| MP20W12E06G15 | MS20W12E06G15 | 20 | Short Version | Gold 15μ" |
| MP20W12E06G30 | MS20W12E06G30 | 20 | Short Version | Gold 30μ" |
| MP20W12E09F | MS20W12E09F | 20 | Long Version | Gold Flash |
| MP20W12E09G5 | MS20W12E09G5 | 20 | Long Version | Gold 5μ" |
| MP20W12E09G10 | MS20W12E09G10 | 20 | Long Version | Gold 10μ" |
| MP20W12E09G15 | MS20W12E09G15 | 20 | Long Version | Gold 15μ" |
| MP20W12E09G30 | MS20W12E09G30 | 20 | Long Version | Gold 30μ" |

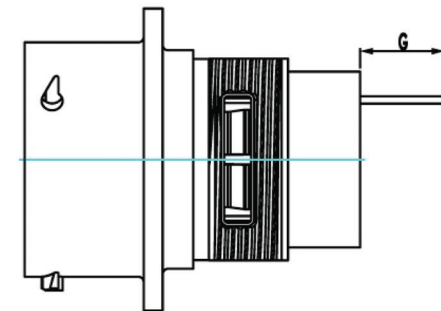
| Stamped & Formed, PC Tail Contacts | | | | |
|------------------------------------|--------|-----|-------------|---------|
| Part Number | | AWG | Description | Plating |
| Male | Female | | | |
| N/A | | | | |

NOTE: For ecomate® Aquarius™ PC Tail options, see our [ecomate® Aquarius™ PCB Mount Jam Nut Receptacles Flyer](#) online at www.amphenol-sine.com.

| PCB Contact Dimensions - Nominal Length G (Size 20 PC Tail dimensions for ecomate® RM and ecomate® RSSM connectors only.) | | | | | | |
|--|--------------|--------------|--------------|--------------|--------------|--------------|
| Shell Size | Pin Contact | | | | | |
| | MP20W12E06xx | MP20W12E09xx | MP16M12E04xx | MP16M12E06xx | MP10B12E05xx | MP10B12E08xx |
| 10 | 4.0mm | 9.5mm | 4.0mm | 8.0mm | - | - |
| 12 | 4.0mm | 9.5mm | 4.0mm | 8.0mm | 5.0mm | - |
| 14 | 4.0mm | 9.5mm | 4.0mm | 8.0mm | 5.2mm | - |
| 16 | 4.0mm | 9.5mm | 4.0mm | 8.0mm | - | - |
| 18 | - | 9.5mm | 4.0mm | 8.0mm | - | - |
| 20 | - | 9.5mm | 4.0mm | 8.0mm | - | - |
| 24 | - | - | - | 3.9mm | - | - |

| Shell Size | Socket Contact | | | | | |
|------------|----------------|--------------|--------------|--------------|--------------|--------------|
| | MP20W12E06xx | MP20W12E09xx | MP16M12E04xx | MP16M12E06xx | MP10B12E05xx | MP10B12E08xx |
| 10 | 3.3mm | 8.5mm | 2.4mm | 3.0mm | - | - |
| 12 | 3.3mm | 8.5mm | 2.4mm | 3.0mm | - | - |
| 14 | 3.3mm | 8.5mm | 2.4mm | 3.0mm | - | - |
| 16 | 3.3mm | 8.5mm | 2.4mm | 3.0mm | - | - |
| 18 | -- | 8.5mm | 2.4mm | - | - | - |
| 20 | -- | 8.5mm | 2.4mm | - | - | - |
| 24 | - | - | - | - | - | - |

| Standard Quantity Order Options | |
|---------------------------------|------------------|
| Machined | Stamped & Formed |
| Bulk Package, 500 Pieces | N/A |



Amphenol Sine Systems
 44724 Morley Drive
 Clinton Township, MI 48036 USA
www.amphenol-sine.com
 04/2021

Mouser Electronics

Authorized Distributor

Click to View Pricing, Inventory, Delivery & Lifecycle Information:

[Amphenol:](#)

[RT0W01626PNH](#)