

NOTES:

1. MATERIALS AND FINISHES:
 BODY, COUPLING NUT, RETAINING RING,
 HEX NUT, TOP HAT & WASHERS - BRASS, NICKEL PLATING
 CONTACT - BRASS, GOLD PLATING
 INSULATOR - DELRIN, NATURAL
 SPRING - BERYLLIUM COPPER, NICKEL PLATING
 GASKET - SILICONE RUBBER, RED
 GASKET - RUBBER, RED

2. ELECTRICAL:
 A. IMPEDANCE: 50 OHM
 B. FREQUENCY RANGE: DC-4 GHz
 C. DIELECTRIC WITHSTANDING VOLTAGE: 1500 VRMS, MIN.

3. MECHANICAL:
 A. DURABILITY: 500 CYCLES MIN.
 B. TEMPERATURE RANGE: -65° C TO +165° C

4. PACKAGING:
 A. QUANTITY: SINGLE PACK
 B. MARKING: BAG TO BE MARKED
 "AMPHENOL RF, 31-2-RFX, AND DATE CODE"

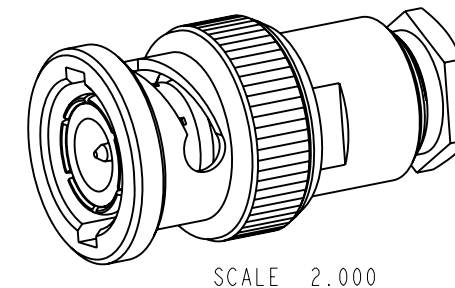
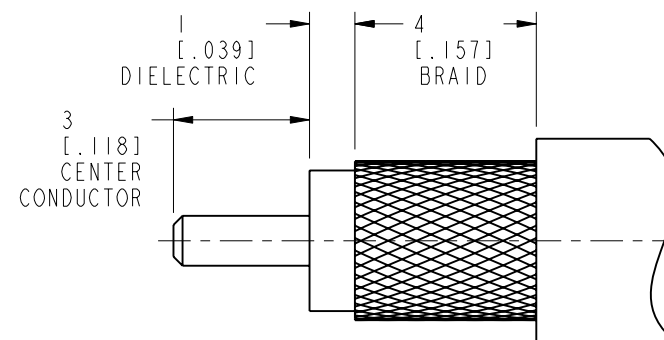
5. CABLE ASSEMBLY INSTRUCTIONS:
 A. STRIP CABLE AS SHOWN.
 B. SLIDE HEX NUT, WASHER, GASKET & TOP HAT OVER CABLE SHEATH.
 C. INSERT CABLE CONDUCTOR INTO CONTACT PIN AND SOLDER
 D. SLIDE SUB-ASSEMBLY TO THE REAR SIDE OF THE BODY AND TIGHTEN WITH
 PROPER SPANNER. MAKE ENSURE INTERFACE DIMENSIONS TO MEET

6 SHOWS CABLE ENTRY DIMENSIONS.

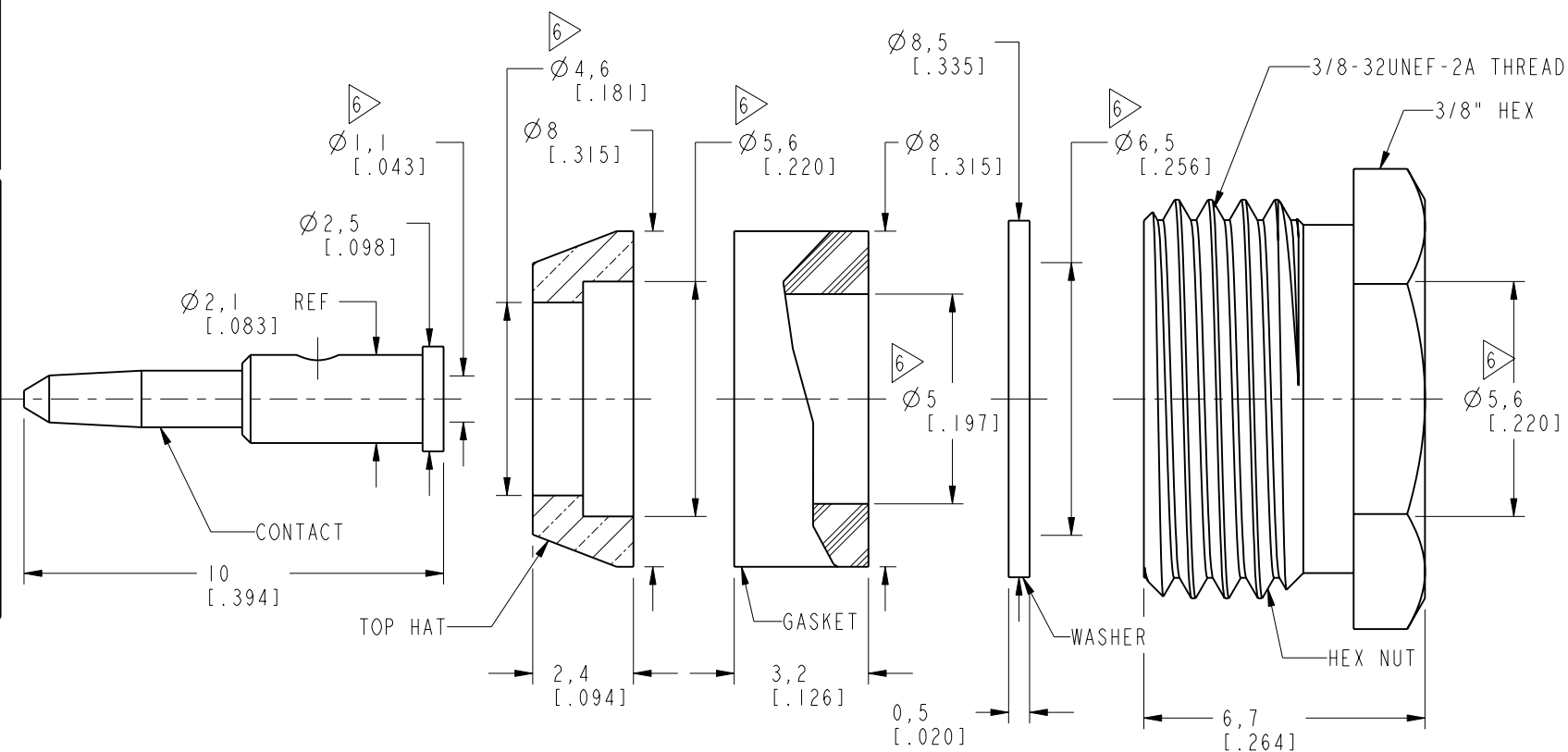
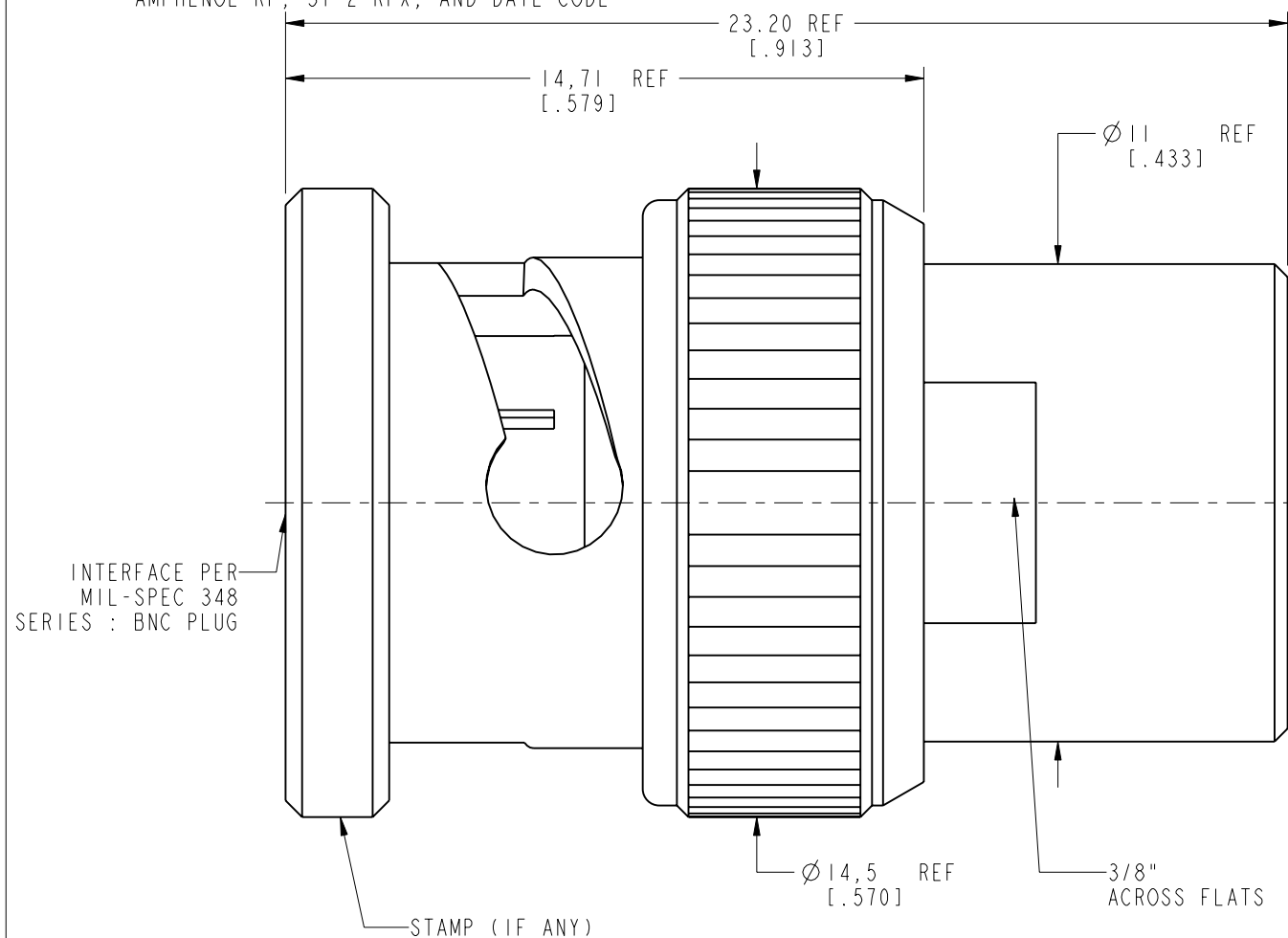
THIRD ANGLE PROJ.

REVISIONS

REV	DESCRIPTION	DATE	ECO	APPR
--	RELEASE TO MFG.	02-Oct-91	38063	DR
B	NO.8 AND NO.11 WERE CHANGED \RD-DM92012402W	01-24-03'	--	RICHER
C	REDRAWN IN PRO-E & COD, SHEET ADDED ,95631 WAS B50000-6, \RD-DMI5030501S2	16-Mar-15	50290	AAP



RECOMMENDED CABLE STRIPPING DIMENSIONS



CUSTOMER OUTLINE DRAWING

ALL OTHER SHEETS ARE FOR INTERNAL USE ONLY

UNLESS OTHERWISE SPECIFIED, DIMENSIONS ARE IN METRIC AND TOLERANCES ARE:
 < 0.5mm ± 0.05mm 0.5 - 6mm ± 0.1mm 6 - 30mm ± 0.2mm 30 - 120mm ± 0.3mm ANGLES ± 1°

NOTICE - These drawings, specifications, or other data (1) are, and remain the property of Amphenol corp. (2) must be returned upon request; and (3) are confidential and not to be disclosed to any person other than those to whom they are given by Amphenol Corp. the furnishing of these drawings, specifications, or other data by Amphenol Corp., or to any other person for any purpose is not to be regarded by implication or otherwise in any manner licensing, granting rights to permitting such holder or any other person to manufacture, use or sell any product, process or design, patented or otherwise, that may in any way be related to or disclosed by said drawings, specifications, or other data.

MATERIAL	SEE NOTES
REFERENCE	EAR # 962370
CONFIGURATION LEVEL:	In Work
FINISH	

DRAWN	S. DUAN	DATE	16-Mar-15
ENGINEER	K. CAPOZZI	DATE	29-Dec-14
APPROVED	S. HSIEH	DATE	16-Mar-15
CAD FILE			

TITLE	
50 OHM BNC STR PLUG CLAMP	
TYPE FOR RG-58C/U, 141, UG88	
58/U, 142/U, 223/U CABLE	
SCALE:	6.0:1.0
SHEET	2 OF 2
DWG SIZE	B
REV	C

Amphenol RF	
www.amphenolrf.com	
DRAWING NO. B1141C1-ND3G-58U-50	
ITEM NO. 011141AAA58ND5F	
PART NO. 31-2-RFX	

Mouser Electronics

Authorized Distributor

Click to View Pricing, Inventory, Delivery & Lifecycle Information:

[Amphenol:](#)

[031-2-RFX](#)