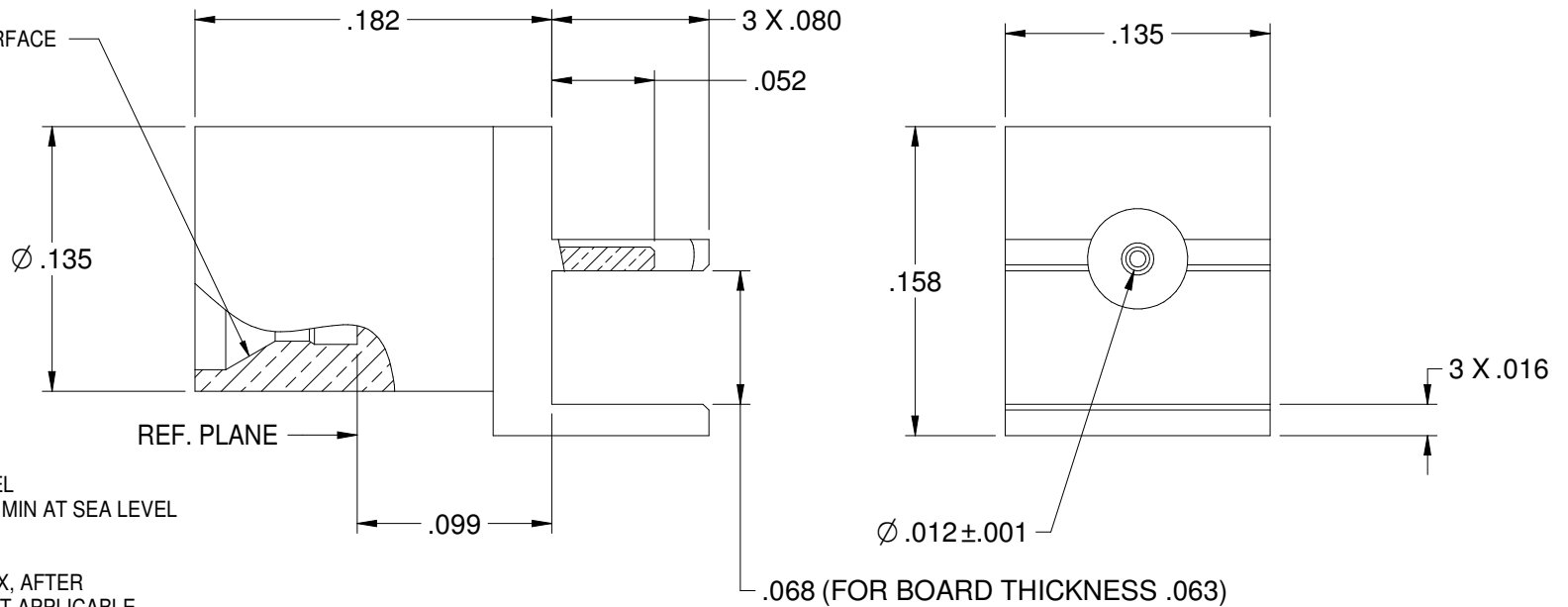


REV	ECO	DATE
0	ECO-18-XXXX	4/9/2018

PART NUMBER	ITEM ① BODY	ITEM ② CONTACT	ITEM ③ INSULATOR
125-0701-811	BERYLLIUM COPPER GOLD PL .00005 MIN OVER NICKEL PL.00005 MIN OVER COPPER	BERYLLIUM COPPER GOLD PL .00005 MIN OVER NICKEL PL.00005 MIN OVER COPPER	TEFLON

SMPM FULL DETENT INTERFACE
PER MIL-STD-348



SPECIFICATION:

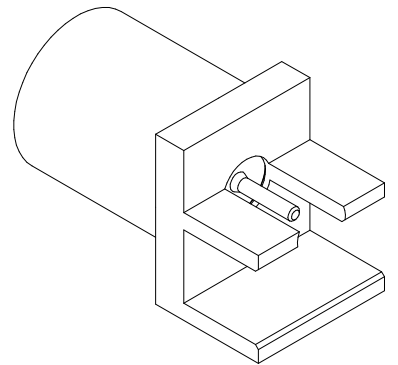
IMPEDANCE: 50 OHMS
 FREQUENCY RANGE: 0-26.5 GHz
 VSWR: DEPENDANT ON APPLICATION
 WORKING VOLTAGE: 325 VRMS MAX AT SEA LEVEL
 DIELECTRIC WITHSTANDING VOLTAGE: 325 VRMS MIN AT SEA LEVEL
 INSULATION RESISTANCE: 5000 MEGOHM MIN
 CONTACT RESISTANCE:
 CENTER CONTACT - INITIAL 6 MILLIOHM MAX, AFTER ENVIRONMENTAL NOT APPLICABLE
 OUTER CONDUCTOR - INITIAL 2 MILLIOHM MAX, AFTER ENVIRONMENTAL NOT APPLICABLE
 RF LEAKAGE: NOT APPLICABLE

MECHANICAL:

ENGAGEMENT FORCE: 4.5 LBS TYPICAL
 DISENGAGEMENT FORCE: 6.5 LBS TYPICAL
 CONTACT RETENTION: 1.3 LBS MIN AXIAL FORCE
 DURABILITY: 100 CYCLES MIN

ENVIRONMENTAL:

OPERATING TEMPERATUR: -65 TO 165 °C
 THERMAL SHOCK: MIL-STD-202, METHOD 107, CONDITION B
 MECHANICAL SHOCK: MIL-STD-202, METHOD 213, CONDITION I
 CORROSION: MIL-STD-202, METHOD 101
 VIBRATION: MIL-STD-202, METHOD 204
 MOISTURE RESISTANCE: MIL-STD-202, MEHTOD 106, EXCEPT STEP 7B



<p>The PROPRIETARY Document is property of Cinch Connectivity Solutions, Inc. and its subsidiaries. It is to be used with the clear understanding that Cinch Connectivity Solutions, Inc. and its subsidiaries do not warrant any liability for use of this document without permission and is intended for internal use only.</p> <p>INTERPRET DRAWINGS IN ACCORDANCE WITH ASME Y14.5-2009</p>	<p>Material: SEE NOTE</p>	<p>Model No. 125-0701-811</p>	<p>JOHNSON</p>
	<p>RoHS2 <input checked="" type="checkbox"/> 2011/65/EU</p> <p>UNLESS OTHERWISE SPECIFIED: DIM: X ±0.2 XX ±0.1 XXX ±0.07 ANGLES ±2 DEG</p>	<p>3RD ANGLE PROJECTION</p> <p>Drawn by: R.SHEN</p> <p>Date: 4/9/18</p>	<p>Title: SMPM MALE FULL DETENT EDGE MOUNT FOR .063 BOARD THICKNESS</p> <p>Drawing No. 125-0701-811</p> <p>Size B DO NOT SCALE DRAWING</p>

Mouser Electronics

Authorized Distributor

Click to View Pricing, Inventory, Delivery & Lifecycle Information:

[Cinch Connectivity Solutions:](#)

[125-0701-811](#)