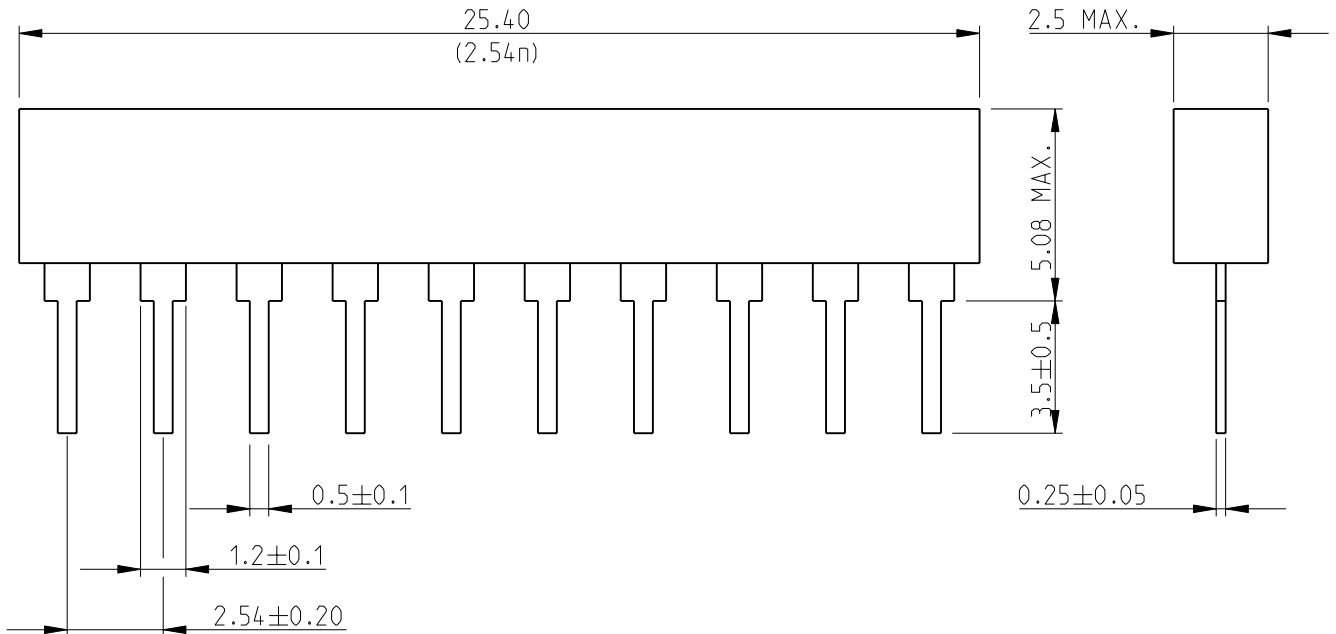
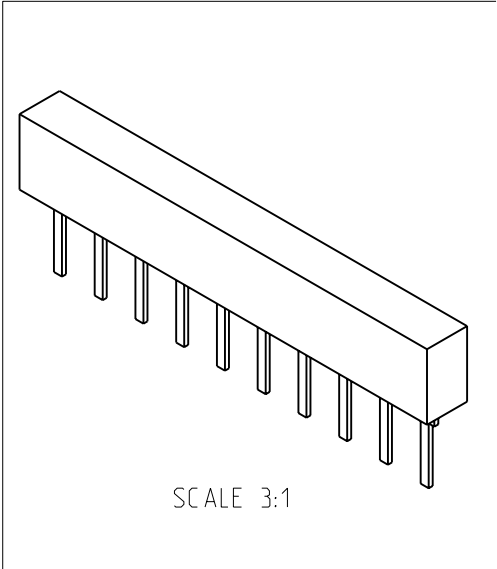


LOC	DIST	REVISIONS					
E	B	P	LTR	DESCRIPTION	DATE	DWN	APVD
			BA	NEW RELEASE	22-OCT-09	MRS	St.P



RoHS Compliant



- n = NUMBER OF PINS
- FOR FURTHER INFORMATION SEE DATA SHEET FOR SERIES SIL, GENERAL PURPOSE RESISTOR NETWORKS

2009

RELEASED FOR PUBLICATION

THIS DRAWING IS UNPUBLISHED.

BY TYCO ELECTRONICS CORPORATION. ALL RIGHTS RESERVED.



DIMENSIONS:		DWN	22-OCT-09	MATERIAL	FINISH		
mm		MAHARUDRA		-	-		
TOLERANCES UNLESS OTHERWISE SPECIFIED:		CHK	22-OCT-09	Tyco Electronics Corporation Dorcan, Swindon, SN3 5HH			
0 PLC ±0.2		ALLAN.P					
1 PLC ±0.1		APVD	22-OCT-09	NAME GENERAL PURPOSE RESISTOR NETWORKS SIL10 RESISTOR NETWORKS			
2 PLC ±		STEPHEN.P					
3 PLC ±		PRODUCT SPEC		SIZE	CAGE CODE	DRAWING NO	RESTRICTED TO
4 PLC ±		APPLICATION SPEC		A 4	00779	©= 1622807	-
ANGLES ±5°		WEIGHT		SCALE 5:1			
		CUSTOMER DRAWING			SHEET 1 OF 1		REV BA

Mouser Electronics

Authorized Distributor

Click to View Pricing, Inventory, Delivery & Lifecycle Information:

[TE Connectivity:](#)

[SIL10E103J](#)