

## Waterproof USB Connectors

### Micro USB 2.0-Cable

End 1: M22 panel connector with

Micro USB 2.0 Type B

End 2: Plug, Micro USB 2.0 Type B

Protection: IP 64 / IP 67  
(Assembled with CAP)

Contacts: 5

Housing: Plastic, Black (PA)

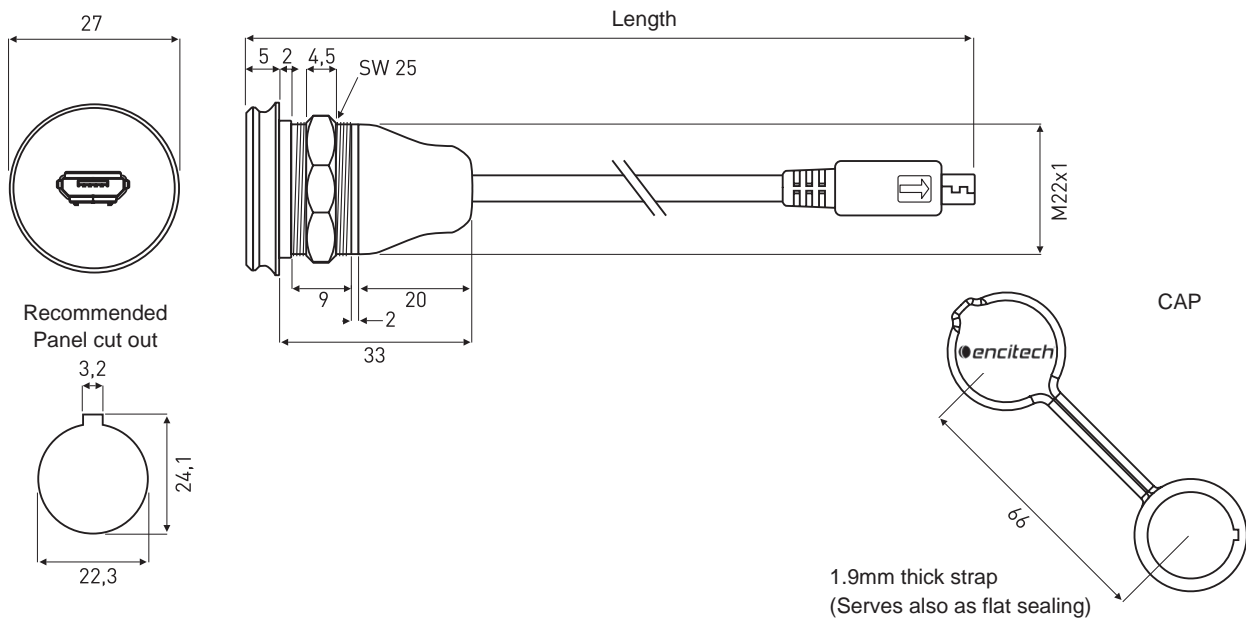
Cap: Elastolan®

Plastic nut: Plastic, Black (PA)

Contact plating: Gold

Connection: Solder

Kit: Including CAP + nut



### Micro USB 2.0 - Panel Connector with Cable - Type B

Cable length:	Part No:
0.5m	1310-1023-01
1.0m	1310-1023-02
1.5m	1310-1023-03
2.0m	1310-1023-04
3.0m	1310-1023-05



**Encitech AB**  
Rörkullsvägen 4  
SE-302 41 HALMSTAD, Sweden

Tel.: +46-(0)35-15 13 90  
Fax: +46-(0)35-15 13 99

[www.encitech.com](http://www.encitech.com)