

Waterproof USB Connectors

M16-Panel mount connector
 Front mounting, Solder pin
 USB 3.0 Type A

Protection: IP 64 / IP 67
 (front side, protection cap mounted and plugged)

Contacts: 9

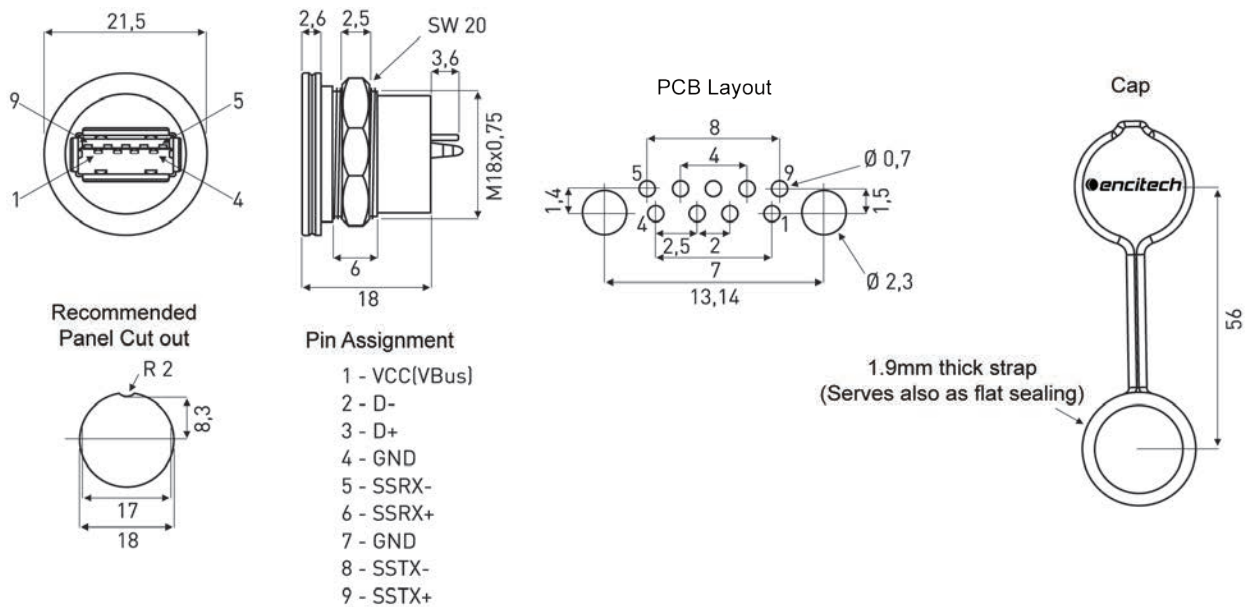
Housing: Plastic, Black (PA)

Cap: Elastolan®

Contact plating: Gold

Connection: Solder pin

Kit: Including CAP + Hex nut



M16 Panel mount USB 3.0 - Type A

Connector:	Part No:
Panel Conn, Black	1310-1014-01

Accessories:	Part No:
Mounting Tool for Ring nut	1310-0099-01



Encitech AB
 Rörkullsvägen 4
 SE-302 41 HALMSTAD, Sweden

Tel.: +46-(0)35-15 13 90
 Fax: +46-(0)35-15 13 99

www.encitech.com