

SPECIFICATIONS:

BUSHING: $\varnothing 19\text{mm}$.
 CONTACT RATING: 5A @ 250VAC.
 ELECTRICAL LIFE: 50,000 cycles at full load.
 CONTACT RESISTANCE: 50m-ohms max. initial @2-4VDC.
 INSULATION RESISTANCE: 1,000M-ohms min.@500VDC.
 DIELECTRIC STRENGTH: 2,000V RMS 50~60Hz.
 IP CLASS: IP67 & IK02 protection.
 TORQUE: 0.6Nm max. applied to nut.
 CONSTRUCTION FORM: DPDT.
 LED COLOUR: Blue
 SWITCHING CIRCUIT: ON-ON.
 OPERATING TEMPERATURE: $-20^{\circ}\text{C}\sim+55^{\circ}\text{C}$.

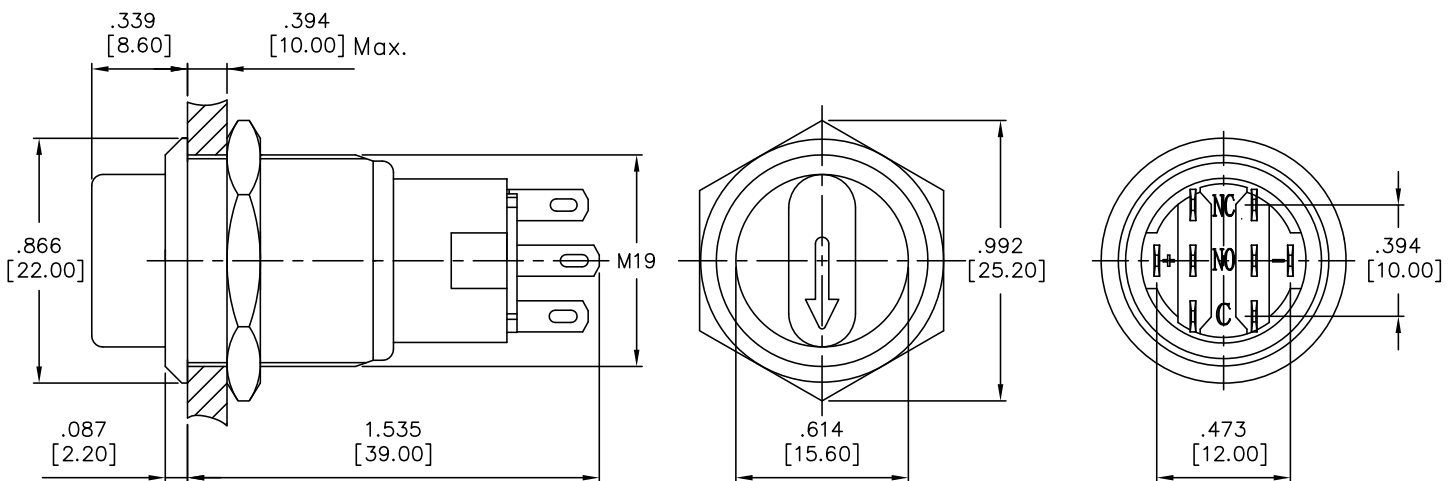


MATERIALS:

CONTACT: Silver alloy.
 BUSHING: Stainless steel.
 BASE: PBT.
 NUT: Nickel plated brass.

Art. Nr.
RND 210-00427

Specifications and Dimensions subject to change



Key Position

