

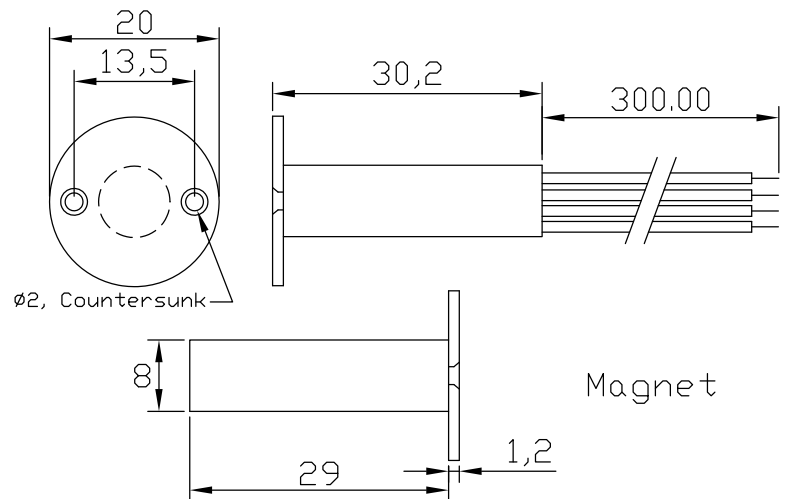
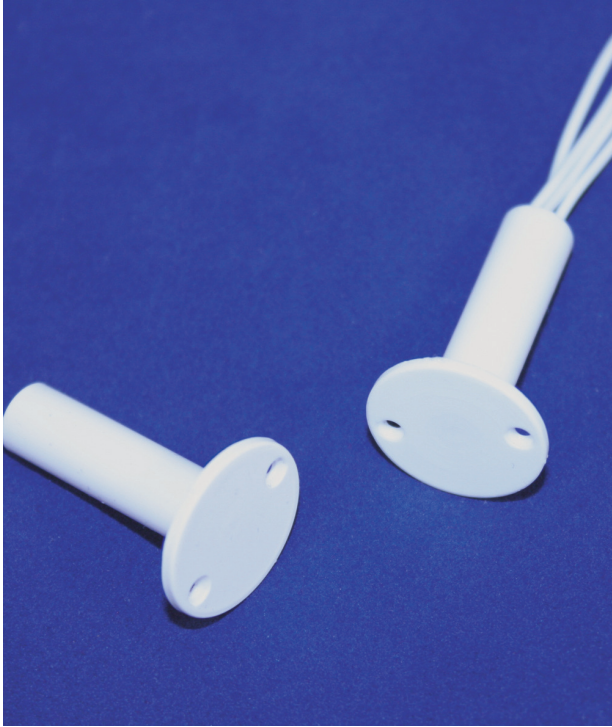


ENGLISH

Datasheet

Stock No: 9182665

RS Pro Grade 2 Flush alarm contact



Specifications

- Normally open + supervisory loop contacts
- Grade 2
- Maximum switching voltage 50 VAC/ DC
- Maximum switching current 0.5 Amps
- Maximum power 10 W/VA
- Insulation resistance 100 MOhms
- Contact resistance 150 mOhms
- Operating distance 15mm
- Operating temperature -40° to +60° Celsius
- High impact Polystyrene housing material