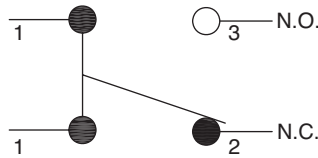
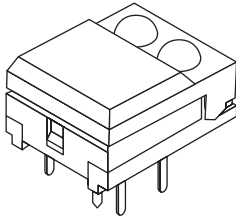
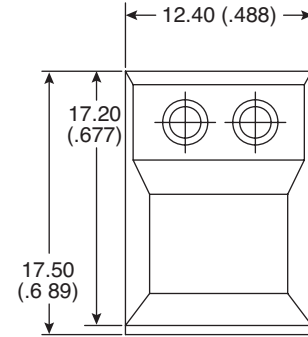
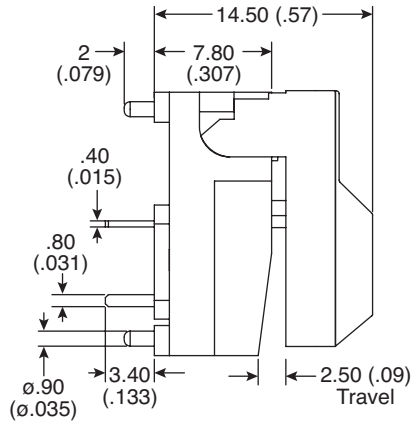
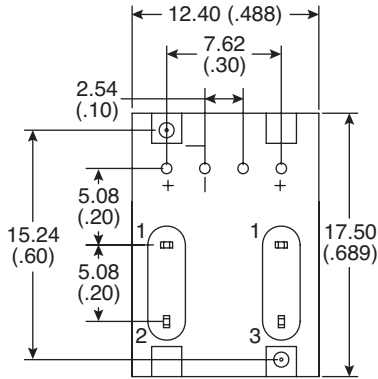
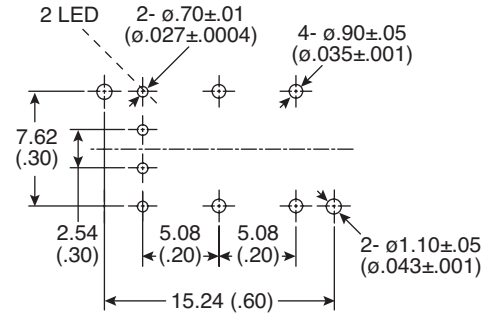


# Q-9318

## Dimensions: mm (In.)



Contact Configuration (SPDT)



### Electrical Specifications:

- Rating: 12mA/24VDC
- Test Voltage Cont.- Cont.: 150V
- Continuous Current Rating: 120mA
- Power Rating: 240mW
- Insulation Resistance: 100MΩ min.
- Contact Resistance: 50m Ω max.

### Mechanical Specifications:

- Capacitance Cont.-Cont.: 0.5pF max.
- Contact Configuration: SPDT
- Contact Bounce: 5m sec max.
- Operating Force: 200gf max.
- Operating Travel: 2.5±0.2mm
- Operating Life: 500,000 cycles
- Function: Momentary

### Note:

- RoHS compliant and process compatible with 260° solder

### Materials:

- Housing: nylon
- Cap: ABS
- Fixed Contact: Gold plated copper alloy
- Moving Contact: Gold plated copper alloy

Mouser Stock No.	Cap Color	LED Color
107-SP86-A2-5-13-EV	Black	Red/Green
107-SP86-A2-9-13-EV	Gray	Red/Green

**Illuminated (LED) Pushbutton Switches**  
 107-SP86-A2-5-13-EV, 107-SP86-A2-9-13-EV

