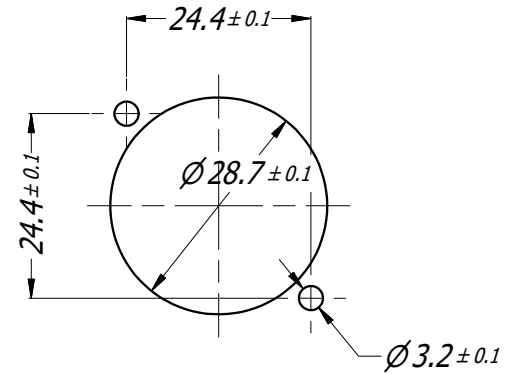


3D VIEW
1:1



PANEL CUTOUT

NOTES:
 - USE SCREW #4 OR M3
 - SCREW TORQUE: 0.4 N-m (3.5 lb-in) MAX

UNLESS OTHERWISE SPECIFIED TOLERANCE TO BE		THIS DOCUMENT IS THE PROPERTY OF AMPHENOL AUSTRALIA PTY. LTD. NO PART THEREOF MAY BE REPRODUCED AND USED WITHOUT THE PRIOR WRITTEN CONSENT OF THE OWNER.				Amphenol Amphenol Australia Pty.Ltd, 22 Industry Blvd, Carrum Downs VIC 3201	
LINEAR	ANGULAR	MATERIAL: REFER COMPONENTS	DRN:	T.N	DATE:	29/08/16	TITLE:
X ± 0.5	X' ± 1		CKD:	P.M	DATE:	29/08/16	FEMALE PANEL MOUNT
X.X ± 0.1	X.X' ± 30'	FINISH:	APP'D:	P.M	DATE:	29/08/16	HP SERIES
X.X ± 0.05	X.X'X" ± 15'		DO NOT SCALE	SCALE:	1:1	SIZE:	A4
BREAK ALL SHARP EDGES AND REMOVE ALL BURRS		THIRD ANGLE PROJECTION		DRAWING No.		PART No:	
DIMENSIONS IN MILLIMETRES				55011094-000-4		HPT-3-FD	
				SHEET		REV	
				3 / 4		1	

Mouser Electronics

Authorized Distributor

Click to View Pricing, Inventory, Delivery & Lifecycle Information:

[Amphenol:](#)

[HPT-3-FD](#)