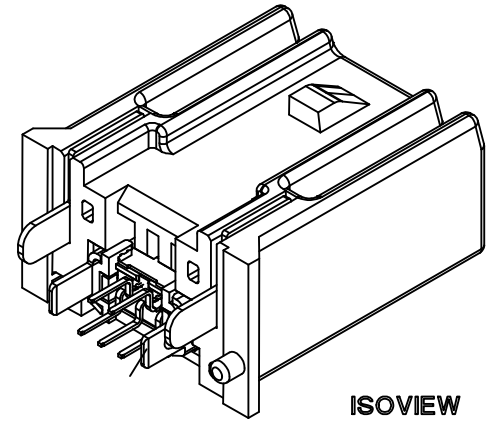
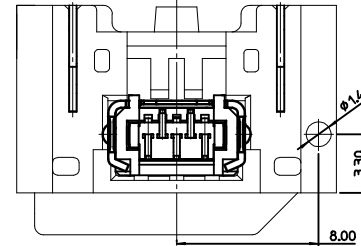
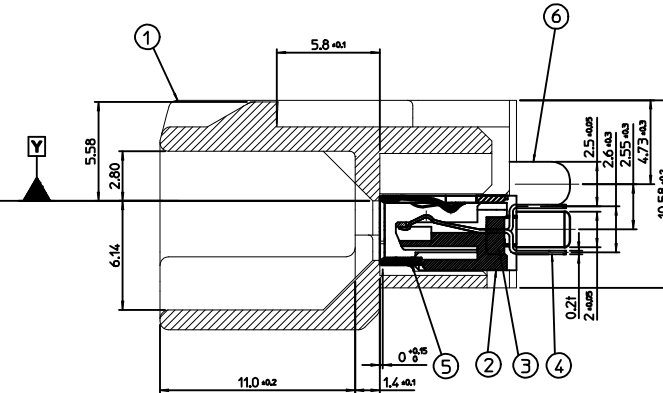
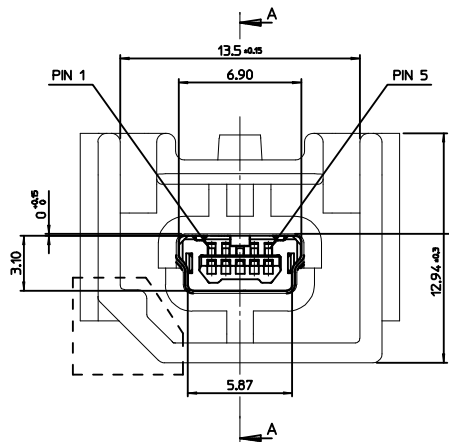


RECOMMENDED PCB LAYOUT



- NOTE**
- MATES WITH :
(MOLEX SERIES NO. - 111014, 111015, 111005, 111041, 111019, 111020)
 - SHROUD GEOMETRY AND ASSEMBLY WITH USB MINI-B CONNECTOR ARE ACCORDING TO USCAR STD 999-U-USB-Z01
 - FINISHES
- TERMINAL :
CONTACT AREA : Au 0.754m MIN.
SOLDER TAIL AREA : TIN 3.84m MIN.
UNDER PLATING : NI 1.04m MIN.
- SHIELD CASE :
3.04m MIN. TIN OVER NI 1.04m MIN.
- FITTING NAIL :
3.04m MIN. TIN OVER NI 1.04m MIN.
 - UNLESS OTHERWISE SPECIFIED, TYPICAL RECOMMENDED PCB MANUFACTURING TOLERANCE IS ±0.05
 - PACKAGING IS TRAY :
-STD. TYPE :48 PCS/TRAY, 5 TRAY/TRAY BOX, 240 PCS/TRAY BOX, 960 PCS/CARTON BOX
-ST TYPE:32 PCS/TRAY, 3 TRAY/TRAY BOX, 96 PCS/TRAY BOX, 384 PCS/CARTON BOX
 - PACKING IS EMBOSS:
"SEE SHEET 2 OF 2 OF THIS PRINT."
 - PRODUCT SPECIFICATION : PS-49616-001
 - PCB THICKNESS : 2.36mm(REFERENCE)



<TABLE 1>

MATERIAL NO.	ORDER NO.	COLOR	PACKING	PACKING INFO.
1040040901	104004-0901	BLACK	TRAY	PK-104004-003
1040040902	104004-0902	BLACK	ST TRAY	PK-104004-004
1040040903	104004-0903	BLACK	EMBOSS	PK-104004-005

<PARTS LIST>

NO.	PART NAME	MATERIAL
1	SHROUD-A	LCP, GLASS FILLED, UL94 V-0
2	RECEPTACLE HOUSING	LCP, GLASS FILLED, UL94 V-0
3	CONTACT HOUSING	LCP, GLASS FILLED, UL94 V-0
4	CONTACT TERMINAL	COPPER ALLOY
5	SHIELD CASE	PHOSPHOR BRONZE
6	BOARD LOCKS PIN	BRASS

REVISED
EC NO: KTR2015-0098
DRAWN: IBAEK 2015/04/27
CHKD:
APPR: JYCHOI 2015/05/04
REV DESCRIPTION

QUALITY SYMBOLS
▽=0
▽=0

GENERAL TOLERANCES (UNLESS SPECIFIED)
mm INCH
4 PLACES ± --- ± ---
3 PLACES ± --- ± ---
2 PLACES ± 0.15 ± ---
1 PLACE ± 0.25 ± ---
ANGULAR ± 1 °

DRAFT WHERE APPLICABLE
MUST REMAIN
WITHIN DIMENSIONS

DIMENSION STYLE
MM ONLY

DRAWN BY DATE
S.M.KIM 2009/06/17

CHECKED BY DATE
B.C.YOON 2009/06/17

APPROVED BY DATE
JYCHOI 2013/01/07

MATERIAL NO.
SEE TABLE 1

SCALE
5:1

DESIGN UNITS
METRIC

THIRD ANGLE PROJECTION

TITLE
USCAR USB MINI B CONN
VERTICAL A
(LONG TERMINAL VERSION)

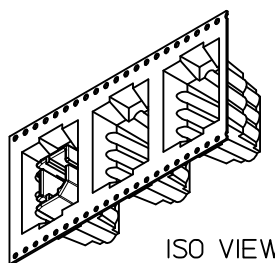
MOLEX INCORPORATED

DOCUMENT NO.
SD-104004-006

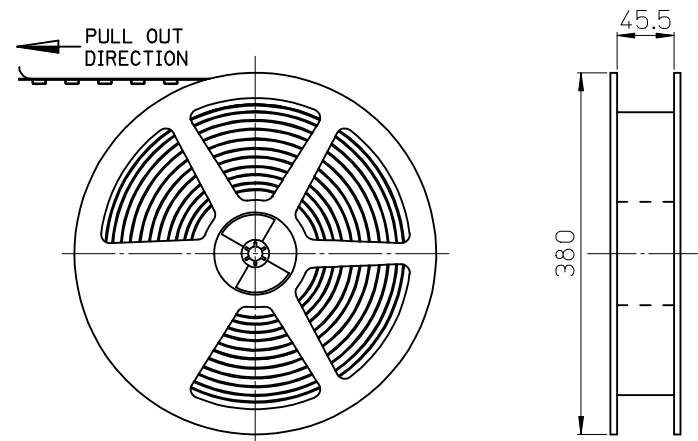
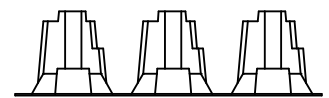
SHEET NO.
1 OF 2

THIS DRAWING CONTAINS INFORMATION THAT IS PROPRIETARY TO MOLEX INCORPORATED AND SHOULD NOT BE USED WITHOUT WRITTEN PERMISSION

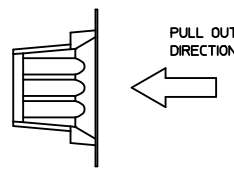
7 6 5 4 3 2 1



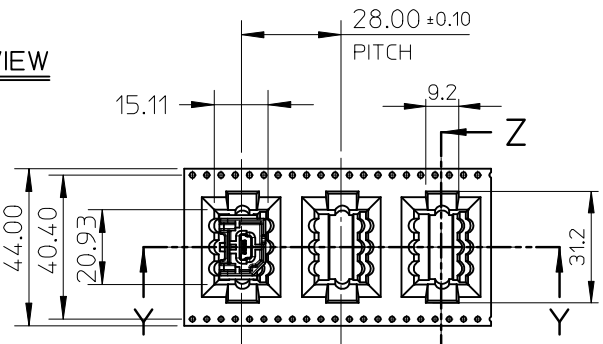
ISO VIEW



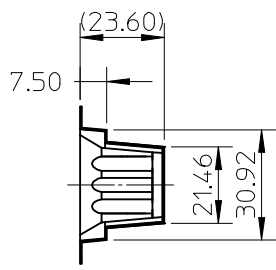
PLASTIC BOBBIN



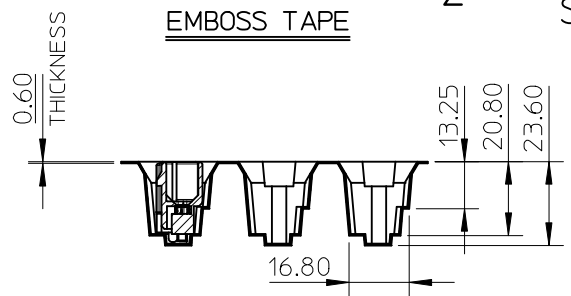
PULL OUT DIRECTION



EMBOSS TAPE



SECTION Z-Z



SECTION Y-Y

NOTES

- QUANTITY OF CONNECTORS: 120EA/REEL
- MATERIAL
 - PLASTIC BOBBIN : PS
 - CARRIER TAPE : P.E.T ANTI-STATIC
- LEAD LENGTH
- PEELING OFF FORCE OF COVER TAPE : 0.1N~0.59N(10.2GF~60GF)
 (PEELING DIRECTION AS SHOW IN FOLLOW FIG.)
 PEELING OFF SPEED : 300mm/Min.(Ref.)

5. FLASH IN ANY PORTION SHOULD BE LESS THAN 0.20mm MAX.

ADDED OPTION EC NO: KTR2015-0089 DRWN: Y1BAEK 2015/04/18 CHKD: APPR: JYCHO1 2015/04/27	DESCRIPTION REV	QUALITY SYMBOLS	GENERAL TOLERANCES (UNLESS SPECIFIED)		DIMENSION STYLE	SCALE	DESIGN UNITS	THIRD ANGLE PROJECTION		
		$F=0$	mm	INCH	MM ONLY	1:2	METRIC	TITLE USCAR USB MINI B CONN VERTICAL A (LONG TERMINAL VERSION)		
		$F=0$	4 PLACES ± ---	± ---	DRAWN BY	DATE	DOCUMENT NO. SD-104004-006			
		$F=0$	3 PLACES ± ---	± ---	CHECKED BY	DATE	SHEET NO. 2 OF 2			
		$F=0$	2 PLACES ± 0.15	± ---	APPROVED BY	DATE	THIS DRAWING CONTAINS INFORMATION THAT IS PROPRIETARY TO MOLEX INCORPORATED AND SHOULD NOT BE USED WITHOUT WRITTEN PERMISSION			
A2	REV	0 PLACE ± 0.25	± ---	JYCHO1	2015/04/27					
ANGULAR ± 1 ° DRAFT WHERE APPLICABLE MUST REMAIN WITHIN DIMENSIONS			SEE TABLE							

6 5 4 3 2 1

Mouser Electronics

Authorized Distributor

Click to View Pricing, Inventory, Delivery & Lifecycle Information:

[Molex:](#)

[104004-0901](#)