

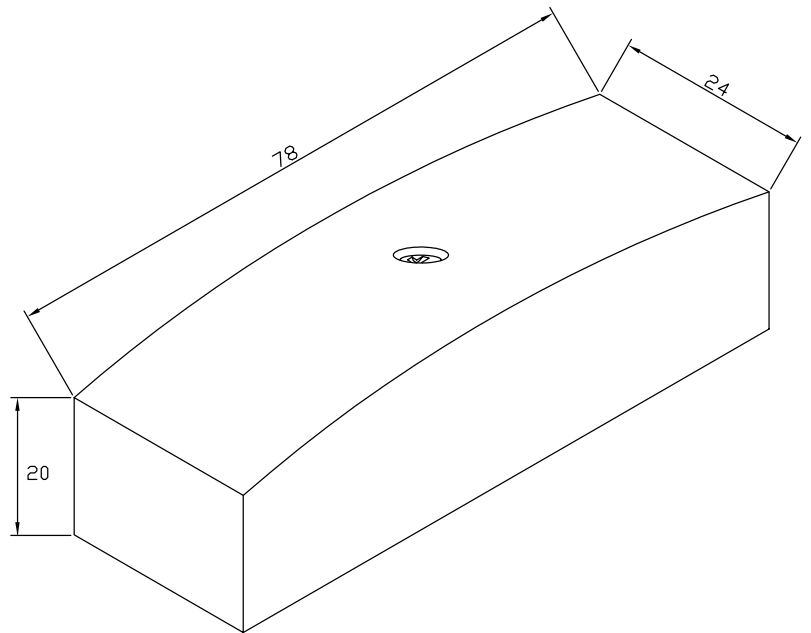
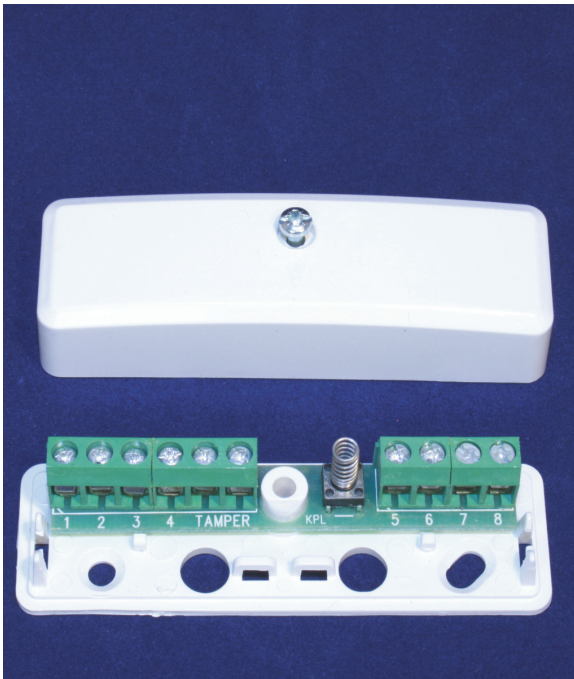


ENGLISH

Datasheet

Stock No: 9184716

RS Pro Grade 3 Alarm & Security Junction box



Specifications

- 8 Free terminals
- Tamper switch protection
- BS EN50131-2-6 Approved
- Raised terminal for easy cable routing
- Slim design access
- Grade 3
- Multiple cable entry points