

FEATURES

- This capacitive sensor can detect both metal and non-metal objects
- It also has the ability to detect various media via non-metallic containers
- They provide reliable and accurate liquid level detection
- Provides a lower-cost solution for proximity sensor needs whilst featuring good resolution, stability, high speed and low power usage
- Each sensor has a simple in construction and is adjustable
- They can be used for the measurement of force, pressure and humidity, etc. and they have a higher sensitivity and can be operational with small magnitude of force
- Capacitive proximity sensing offers increased usability, improved industrial design, and increased functionality with many different consumer applications

RS PRO Capacitive Proximity Sensor- 91mm Non Flush Mount

Capacitive sensor
RS Stock No.: 896-7267



RS Professionally Approved Products bring to you professional quality parts across all product categories. Our product range has been tested by engineers and provides a comparable quality to the leading brands without paying a premium price.

Product Description

RS PRO Non-Flush Mount Capacitive Proximity Sensor

Introducing the range of RS PRO Capacitive Proximity Sensors. These versatile and high-quality sensors are an essential addition to any environment where measurement of attributes like pressure, thickness, etc. are integral to business operations, like manufacturing plants and industrial environments. With the RS PRO seal of approval, you are guaranteed a premium performance product, without the premium product price tag.

General Specifications

Sensing/Detection Range	15mm
Output Type	PNP-NO
Connection/Terminal Type	M12 - 4 Pin
Power-on indication	Yellow LED
Shielding	Shielded
Minimum Operating Temperature	-25°C
Maximum Operating Temperature	+70°C

Electrical Specifications

Operating Supply Voltage	10 → 30 V dc
Switching Current	≤200 mA
Switching Frequency	50 Hz
Contact Maximum DC Voltage	30V
Short Circuit Overload Protection	YES
Reverse Polarity Protection	YES
Overload Protection	YES

Mechanical Specifications

Body Style	Barrel
Mounting Style	Non Flush
Thread Size	M30 x 1.5
Housing Material	PBT
Dimensions	Ø 30 x 91 mm
Length	91mm

Protection Category

IP Rating

IP67

Approvals

Declarations

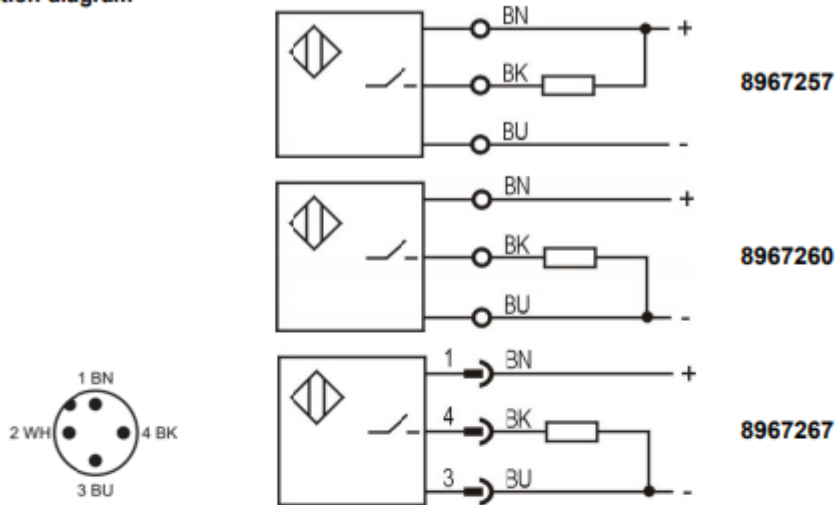
RoHS Certificate of Compliance

Similar Products

Stock No.	Brand	Product Name	Terminal Type	Sensing/Detection Range	Output Type
896-7248	RS PRO	Non Flush Mount Capacitive sensor	M12 - 4 Pin	8 mm	PNP-NO
896-7235	RS PRO	Non Flush Mount Capacitive sensor	Cable	8 mm	PNP-NO

Product Dimension Drawing / Minimum Mounting Distances / Wiring Diagram / Accessories Included

Connection diagram



Note: Customize for cable length, housing material and shape.

Dimension (mm)

