

## TERMSERIES TRZ 24VUC 2CO EMPTY

**Weidmüller Interface GmbH & Co. KG**  
 Klingenbergstraße 16  
 D-32758 Detmold  
 Germany  
 Fon: +49 5231 1429-0  
 Fax: +49 5231 14292083  
 www.weidmueller.com



TERMSERIES accessories include:

- Spare relay
- Base
- Partition plates
- Cross-connections
- Power-feed modules

### General ordering data

Type	TRZ 24VUC 2CO EMPTY
Order No.	<a href="#">1124110000</a>
Version	TERMSERIES, Relay base, No. of contacts: 2 CO contact, Rated control voltage: 24 V UC ±10 %, Continuous current: 10 A, Tension clamp connection
GTIN (EAN)	4032248906031
Qty.	10 pc(s).

**TERMSERIES  
TRZ 24VUC 2CO EMPTY**

**Weidmüller Interface GmbH & Co. KG**  
 Klingenbergstraße 16  
 D-32758 Detmold  
 Germany  
 Fon: +49 5231 1429-0  
 Fax: +49 5231 14292083  
 www.weidmueller.com

**Technical data**
**Dimensions and weights**

Width	12.8 mm	Width (inches)	0.504 inch
Height	90.5 mm	Height (inches)	3.563 inch
Depth	87.8 mm	Depth (inches)	3.457 inch
Net weight	44.6 g		

**Temperatures**

Operating temperature	-40 °C...60 °C	Storage temperature	-40 °C...85 °C
-----------------------	----------------	---------------------	----------------

**Input**

Rated control voltage	24 V UC ± 10 %	Status indicator	Green LED
Protective circuit	Rectifier	Coil voltage of the replacement relay deviating from the rated control voltage	Yes
Coil voltage of the replacement relay	24 V DC		

**Output**

Rated switching voltage	250 V AC	Continuous current	10 A
-------------------------	----------	--------------------	------

**Contact data**

Contact type	2 CO contact
--------------	--------------

**General data**

Mounting rail	TS 35	UL 94 flammability rating	V-0
---------------	-------	---------------------------	-----

**Insulation coordination**

Rated voltage	300 V	Creepage and clearance distance input – output	≥ 5.5 mm
Dielectric strength input – output	1.2 kV <sub>eff</sub> / 5 s	Dielectric strength to mounting rail	4 kV <sub>eff</sub> / 1 min.
Dielectric strength of neighbouring contacts	2.5 kV <sub>eff</sub>	Impulse withstand voltage	6 kV (1.2/50 µs)
Protection degree	IP20	Pollution severity	2
Surge voltage category	III		

**Further details of approvals / standards**

Standards	DIN EN 50178	Certificate No. (GERMLLOYD)	47053-12
Certificate No. (cURus)	E223759		

**TERMSERIES**  
**TRZ 24VUC 2CO EMPTY**

**Weidmüller Interface GmbH & Co. KG**  
 Klingenbergstraße 16  
 D-32758 Detmold  
 Germany  
 Fon: +49 5231 1429-0  
 Fax: +49 5231 14292083  
 www.weidmueller.com

**Technical data****Connection data**

Wire connection method	Tension clamp connection	Stripping length, rated connection	8 mm
Clamping range, rated connection	1.5 mm <sup>2</sup>	Clamping range, rated connection, min.	0.14 mm <sup>2</sup>
Clamping range, rated connection, max.	2.5 mm <sup>2</sup>	Wire connection cross section AWG, min.	AWG 26
Wire connection cross section AWG, max.	AWG 14	Wire cross-section, solid, min.	0.14 mm <sup>2</sup>
Wire cross-section, solid, max.	2.5 mm <sup>2</sup>	Wire connection cross-section, finely stranded, min.	0.14 mm <sup>2</sup>
Wire connection cross section, finely stranded, max.	2.5 mm <sup>2</sup>	Wire cross-section, finely stranded, min. (AWG)	AWG 26
Wire cross-section, finely stranded, max. (AWG)	AWG 14	Cross-section for connected conductor, finely stranded with wire-end ferrules and plastic collars DIN 46228/4, rated connection, min.	0.14 mm <sup>2</sup>
Wire connection cross-section, finely stranded with wire-end ferrules and plastic collars DIN 46228/4, rated connection, max.	1.5 mm <sup>2</sup>	Conductor cross-section, flexible, AEH (DIN 46228-1), min.	0.14 mm <sup>2</sup>
Conductor cross-section, flexible, AEH (DIN 46228-1), max.	1.5 mm <sup>2</sup>	Blade size	0.6 x 3.5 mm
Pitch in mm (P)	5 mm	Gauge to IEC 60947-1	A1, B1

**Rated data UL**

Ambient temperature (operational), max. 60 °C	Connection cross-section AWG, min.	AWG 26
Connection cross-section AWG, max.	Type of conductor	rigid copper conductor, flexible copper conductor
Pollution severity level		2

**Classifications**

ETIM 5.0	EC001456	ETIM 6.0	EC001456
eClass 6.2	27-37-16-01	eClass 7.1	27-37-16-03
eClass 8.1	27-37-16-03	eClass 9.0	27-37-16-03
eClass 9.1	27-37-16-03		

**Approvals**

Approvals



ROHS Conform

**Downloads**

Approval/Certificate/Document of Conformity	<a href="#">DE_PA5600_160414_006.pdf</a>
Brochure/Catalogue	<a href="#">CAT 4.2 ELECTR 15/16 EN</a>
Engineering Data	<a href="#">EPLAN_WSCAD</a>
User Documentation	<a href="#">Operating Instructions</a>

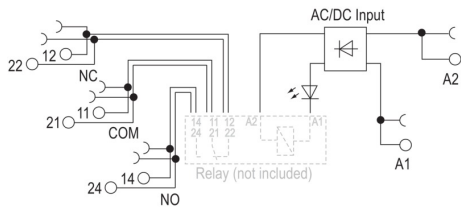
**Data sheet**

**TERMSERIES  
TRZ 24VUC 2CO EMPTY**

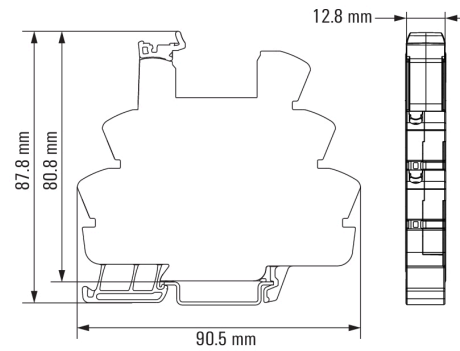
**Weidmüller Interface GmbH & Co. KG**  
 Klingenbergstraße 16  
 D-32758 Detmold  
 Germany  
 Fon: +49 5231 1429-0  
 Fax: +49 5231 14292083  
 www.weidmueller.com

**Drawings**

**Circuit diagram**



**Dimensional drawing**



**TERMSERIES  
TRZ 24VUC 2CO EMPTY**

**Weidmüller Interface GmbH & Co. KG**  
 Klingenbergstraße 16  
 D-32758 Detmold  
 Germany  
 Fon: +49 5231 1429-0  
 Fax: +49 5231 14292083  
 www.weidmueller.com

**Drawings**

**Type codes**

