

Sync DIN Rail Power Supply

24 V 100 W Series / DRS-24V100W1A□ / DRS-24V100W1N□



Highlights & Features

- Ultra-compact size and galvanic isolation up to 3.0 KVac
- Universal AC input voltage range and full power from -10°C to +55°C operation
- Up to 89.0% efficiency and built-in active PFC
- Low earth leakage current < 0.5 mA @ 264 Vac
- Built-in DC OK relay contact option available
- Extreme low temperature cold start at -40°C
- NEC Class 2 / Limited Power Source (LPS) certified (DRS-24V100W1N□)
- Certified according to IEC/EN/UL 62368-1

Safety Standards



CB Certified for worldwide use



*This picture is for reference to DRS-24V100W series only.

Model Number: DRS-24V100W1□□
Unit Weight: 0.325 kg (0.72 lb)
Dimensions (L x W x D): 75 x 45 x 100 mm (2.95 x 1.77 x 3.94 inch)

General Description

The ultra-compact and competitively priced Delta Sync DIN Rail DRS-24V100W1□□ power supply is designed for industrial applications requiring highly reliable power supply that must fit in a small space. The Sync series operates with universal AC input range and offers full power up to 55°C. The output is adjustable from 24-28 volts for DRS-24V100W1A□ and 22-24 volts for DRS-24V100W1N□, and can support up to 3000 microfarads of load capacitance. A green LED indicates output is present. The design is certified according to IEC/UL 60950-1, IEC/EN/UL 62368-1 Information Technology Equipment (ITE) and UL 508 Industrial Control Equipment (ICE). The series is also fully compliant with RoHS Directive (EU) 2015/863 for environmental protection. NEC Class 2 and Limited Power Source (LPS) approvals are available for DRS-24V100W1N□.

Model Information

Sync DIN Rail Power Supply

Model Number	Input Voltage Range	Rated Output Voltage	Rated Output Current
DRS-24V100W1A□	85-264 Vac (120-375 Vdc)	24 Vdc	4.0 A
DRS-24V100W1N□			3.8 A

Model Numbering

DR	S –	24V	100W	1	N	□
DIN Rail	Product Series S – Sync Series	Output Voltage	100 W series	Single Phase	A – Non NEC Class 2 N – NEC Class 2	Z – Without DC OK Relay Contact R – With DC OK Relay Contact

Specifications

1 | All parameters are specified at 25°C ambient and AC input unless otherwise indicated.
www.DeltaPSU.com (November 2021, Rev. 04)



Sync DIN Rail Power Supply

24 V 100 W Series / DRS-24V100W1A□ / DRS-24V100W1N□

Model Number		DRS-24V100W1A□	DRS-24V100W1N□
Input Ratings / Characteristics			
Nominal Input Voltage	100-240 Vac		
Input Voltage Range	85-264 Vac		
Nominal Input Frequency	50-60 Hz		
Input Frequency Range	47-63 Hz		
DC Input Voltage Range*	120-375 Vdc		
Input Current	< 1.2 A @ 115 Vac, < 0.6 A @ 230 Vac		
Efficiency at 100% Load	> 89% @ 115 Vac & 230 Vac		
Max Power Dissipation	0% load	< 0.4 W @ 115 Vac & 230 Vac	
	100% load	< 11 W @ 115 Vac & 230 Vac	
Max Inrush Current (Cold Start)	< 25 A @ 115 Vac, < 40 A @ 230 Vac		
Power Factor at 100% Load	> 0.97 @ 115 Vac, > 0.9 @ 230 Vac		
Leakage Current	< 0.5 mA @ 264 Vac		

*Fulfills test conditions for DC input. Safety approval for DC input can be obtained upon request.

Output Ratings / Characteristics**

Nominal Output Voltage	24 Vdc	
Factory Set Point Tolerance	24 Vdc ± 2%	
Output Voltage Adjustment Range	24-28 Vdc	22-24 Vdc
Output Current	4.0 A (96 W max.)	3.8 A (91.2 W max.)
Output Power	96 W	91.2 W
Line Regulation	< 0.5% (@ 85-264 Vac, 100% load)	
Load Regulation	< 1.0% (@ 85-264 Vac, 0-100% load)	
PARD*** (20MHz)	< 50 mVpp @ > 0°C to 70°C < 100 mVpp @ 0°C to -20°C	
Rise Time	< 100 ms @ nominal input (100% load)	
Start-up Time	< 2,500 ms @ 115 Vac (100% load) < 1,500 ms @ 230 Vac (100% load)	
Hold-up Time	> 50 ms @ 115 Vac & 230 Vac (100% load)	
Dynamic Response (Overshoot & Undershoot O/P Voltage)	± 5% @ 85-264 Vac input, 0-100% load (Slew Rate: 0.1 A/μs, 50% duty cycle @ 5 Hz to 1 KHz)	
Start-up with Capacitive Loads	3,000 μF Max	
Functional	DC OK Relay Contact (for DRS-24V100W1AR, DRS-24V100W1NR)	30 V / 1 A, resistive load The relay contact are normally "ON" (closed) when the output (Vout) is greater than 75% of its rated value and "OFF" (opened) when the output (Vout) is less than 75% typ.

**For power de-rating from < -10°C to -20°C, and 55°C to 70°C, see power de-rating on page 3.

***PARD is measured with an AC coupling mode, 5cm wires, and in parallel with 0.1 μF ceramic capacitor & 47 μF electrolytic capacitor.

Sync DIN Rail Power Supply

24 V 100 W Series / DRS-24V100W1A□ / DRS-24V100W1N□

		Model Number	DRS-24V100W1A□	DRS-24V100W1N□
Mechanical				
Case Cover / Chassis			Plastic	
Dimensions (L x W x D)			75 x 45 x 100 mm (2.95 x 1.77 x 3.94 inch)	
Unit Weight			0.325 kg (0.72 lb)	
Indicator		Green LED	DC OK	
Cooling System			Convection	
Terminal	Input		3 Pins (Rated 300 V/16 A)	
	Output		DRS-24V100W1□Z : 4 Pins (Rated 300 V/16 A) DRS-24V100W1□R : 6 Pins (Rated 300 V/16 A)	
Wire		Input / Output	AWG 22-12 / AWG 20-12	
Mounting Rail			Standard TS35 DIN Rail in accordance with EN 60715	
Noise (1 Meter from power supply)			Sound Pressure Level (SPL) < 25 dBA	

Environment

Surrounding Air Temperature	Operating	-20°C to +70°C (Cold start at -40°C @ 40% load)	
	Storage	-40°C to +85°C	
Power De-rating		-10°C to -20°C de-rate power by 2% / °C > 55°C de-rate power by 3.33% / °C	
Operating Humidity		5 to 95% RH (Non-Condensing)	
Operating Altitude		0 to 2,000 Meters (6,560 ft.)	
Shock Test	Non-Operating	IEC 60068-2-27, Half Sine Wave: 50G for a duration of 11 ms; 3 times per direction, 9 times in total	
	Operating	IEC 60068-2-27, Half Sine Wave: 10G for a duration of 11 ms; 1 time in X axis	
Vibration	Non-Operating	IEC 60068-2-6, Random: 5-500 Hz; 2.09G _{rms} , 20 min per axis for all X, Y, Z directions	
	Operating	IEC 60068-2-6, Sine Wave: 10-500 Hz; 2G peak; displacement of 0.35 mm; 1 octave per min; 60 min per axis for all X, Y, Z directions	
Over Voltage Category		II	
Pollution Degree		2	

Protections

Overvoltage	< 34.8 V, SELV Output, Latch Mode
Overload / Overcurrent	105~140% of rated load current, Fold Forward Mode (current rises, voltage drops), Auto-recovery when the fault is removed
Over Temperature	< 75°C Surrounding Air Temperature @ 100% load, Latch Mode
Short Circuit	Hiccup Mode, Non-Latching (Auto-recovery when the fault is removed)
Internal Fuse at L pin	T3.15 A
Degree of Protection	IP20
Protection Against Shock	Class I with PE* connection

*PE: Primary Earth

Sync DIN Rail Power Supply

24 V 100 W Series / DRS-24V100W1A□ / DRS-24V100W1N□

	Model Number	DRS-24V100W1A□	DRS-24V100W1N□
Reliability Data			
MTBF	Telcordia SR-332	> 700,000 hrs, I/P: 115 Vac & 230 Vac, O/P: 100% load, Ta: 25°C	
	MIL-HDBK-217F	121,000 hrs, I/P: 115 Vac & 230 Vac, O/P: 100% load, Ta: 25°C	
Expected Cap Life Time		10 years (115 Vac & 230 Vac, 50% load @ 40°C)	

Safety Standards / Directives

Safety Entry Low Voltage		SELV (IEC 60950)
Electrical Safety	TUV Bauart	EN 62368-1
	UL/cUL recognized	UL 60950-1 and CSA C22.2 No. 60950-1 (File No. E191395) UL 62368-1 and CSA C22.2 No. 62368-1 (File No. E191395)
	CB Scheme	IEC 60950-1, IEC 62368-1, Limited Power Source (LPS, for DRS-24V100WN□ only)
	UKCA	BS EN 62368-1
Industrial Control Equipment	UL/cUL listed	UL 508 and CSA C22.2 No. 107.1-01 (File No. E315335)
Class 2 Power Supply	UL/cUL recognized	UL 60950-1 and CSA C22.2 No. 60950-1 (File No. E191395) UL 62368-1 and CSA C22.2 No. 62368-1 (File No. E191395) (for DRS-24V100WN□ only)
CE		In conformance with EMC Directive 2014/30/EU and Low Voltage Directive 2014/35/EU
UKCA		In conformance with Electrical Equipment (Safety) Regulations 2016 No. 1011 and The Electromagnetic Compatibility Regulations 2016 No. 1091
Galvanic Isolation	Input to Output	3.0 KVac
	Input to Ground	3.0 KVac
	Output to Ground	0.5 KVac

Sync DIN Rail Power Supply

24 V 100 W Series / DRS-24V100W1A□ / DRS-24V100W1N□

		Model Number	DRS-24V100W1A□	DRS-24V100W1N□
EMC				
Emissions (CE & RE)			Generic Standards: EN/BS EN 61000-6-3, EN/BS EN 61000-6-4, CISPR 32, EN/BS EN 55032, EN/BS EN 55011, FCC Title 47: Class B	
Component Power Supply for General Use			EN 61204-3	
Immunity			Generic Standards: EN/BS EN 55024, EN/BS EN 61000-6-1, EN/BS EN 61000-6-2	
Electrostatic Discharge	IEC 61000-4-2		Level 3 Criteria A ¹⁾ Air Discharge: 8 kV Contact Discharge: 6 kV	
Radiated Field	IEC 61000-4-3		Level 3 Criteria A ¹⁾ 80 MHz – 1 GHz, 10 V/M with 1 kHz tone / 80% modulation 1.4 GHz – 2 GHz, 3 V/M with 1 kHz tone / 80% modulation 2 GHz - 2.7 GHz, 1 V/M with 1 kHz tone / 80% modulation	
Electrical Fast Transient / Burst	IEC 61000-4-4		Level 3 Criteria A ¹⁾ 2 kV	
Surge	IEC 61000-4-5		Level 3 Criteria A ¹⁾ Common Mode ³⁾ : 2 kV Differential Mode ⁴⁾ : 1 kV	
Conducted	IEC 61000-4-6		Level 3 Criteria A ¹⁾ 150 kHz-80 MHz, 10 Vrms	
Power Frequency Magnetic Fields	IEC 61000-4-8		Criteria A ¹⁾ 30 A/Meter	
Voltage Dips and Interruptions	IEC 61000-4-11		0% of 100 Vac, 20 ms 0% of 100 Vac, 5000 ms 40% of 100 Vac, 200 ms 70% of 100 Vac, 10 ms 70% of 100 Vac, 500 ms 0% of 240 Vac, 20 ms 0% of 240 Vac, 5000 ms 40% of 240 Vac, 200 ms 70% of 240 Vac, 500 ms	Criteria A ¹⁾ Criteria B ²⁾ Criteria B ²⁾ Criteria A ¹⁾ Criteria A ¹⁾ Criteria A ¹⁾ Criteria B ²⁾ Criteria A ¹⁾ Criteria A ¹⁾
Low Energy Pulse Test (Ring Wave)	IEC 61000-4-12		Level 3 Criteria A ¹⁾ Common Mode ³⁾ : 2 kV Differential Mode ⁴⁾ : 1 kV	
Harmonic Current Emission			IEC/EN/BS EN 61000-3-2, Class A	
Voltage Fluctuation and Flicker			IEC/EN/BS EN 61000-3-3	

1) Criteria A: Normal performance within the specification limits

2) Criteria B: Temporary degradation or loss of function which is self-recoverable

3) Asymmetrical: Common mode (Line to earth)

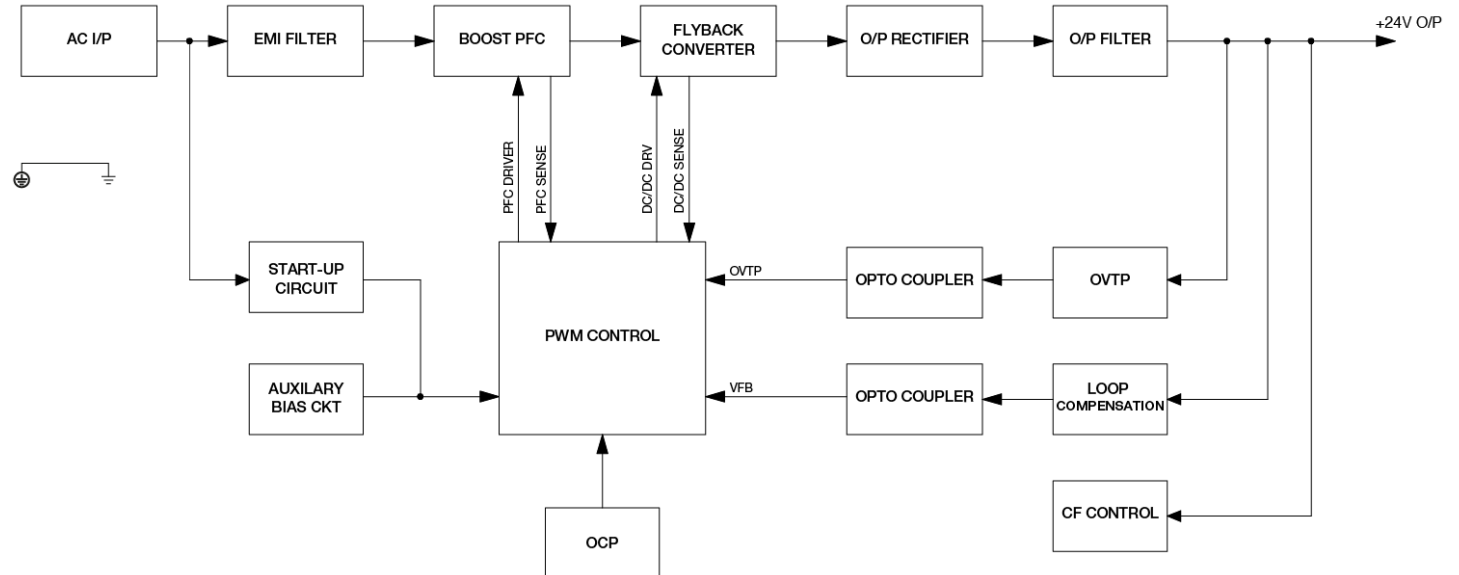
4) Symmetrical: Differential mode (Line to line)

Sync DIN Rail Power Supply

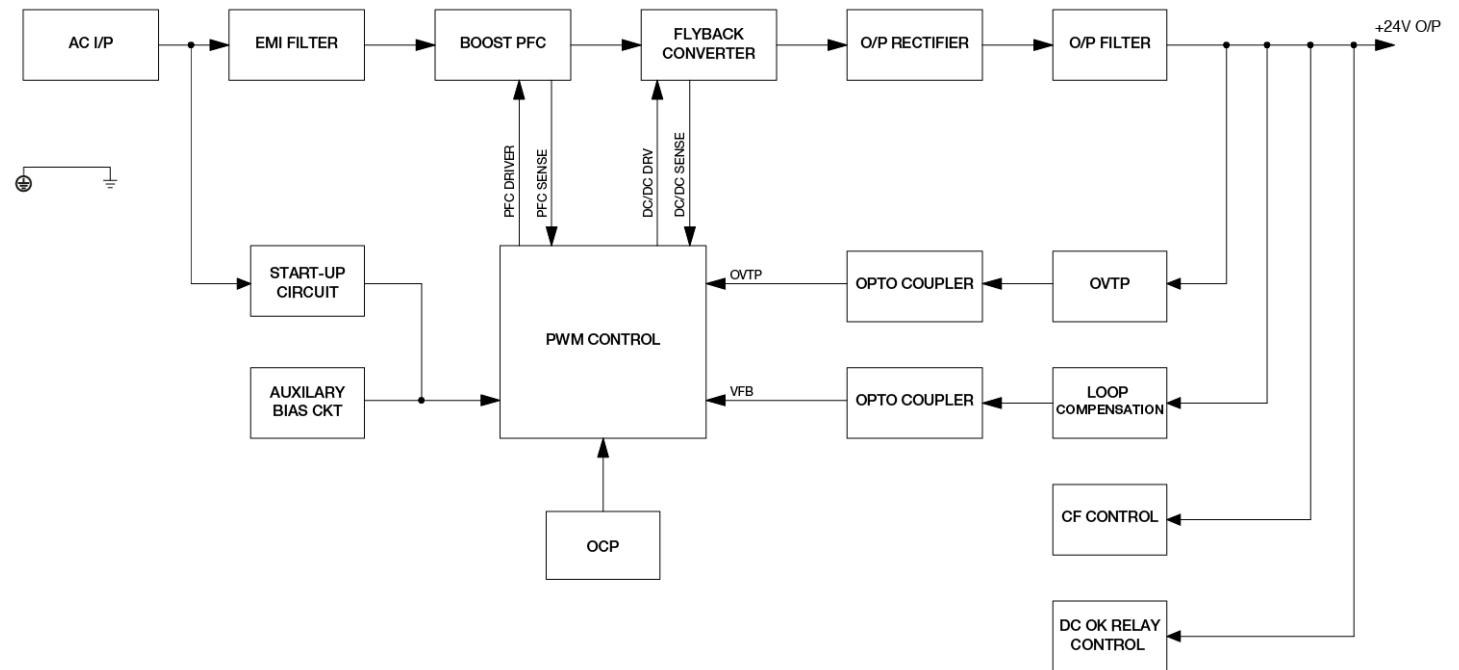
24 V 100 W Series / DRS-24V100W1A□ / DRS-24V100W1N□

Block Diagram

DRS-24V100W1□Z



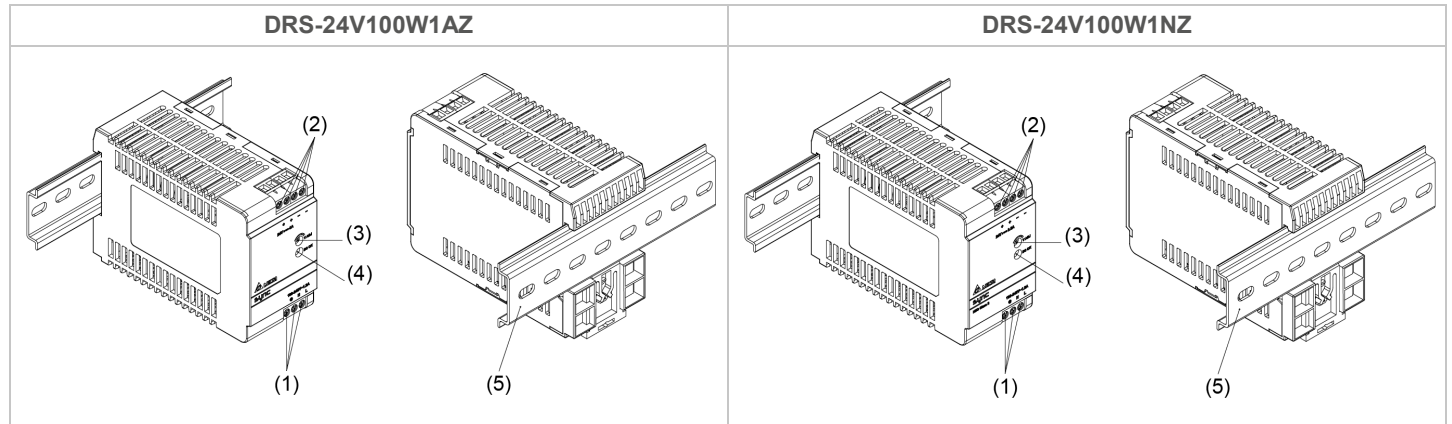
DRS-24V100W1□R



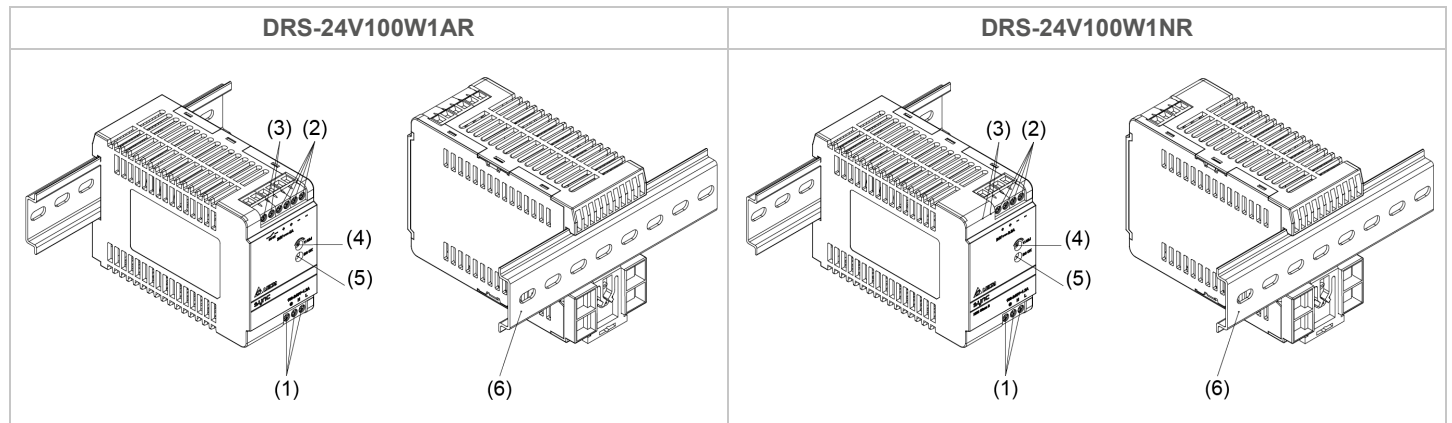
Sync DIN Rail Power Supply

24 V 100 W Series / DRS-24V100W1A□ / DRS-24V100W1N□

Device Description



- 1) Input terminal block connector
- 2) Output terminal block connector
- 3) DC voltage adjustment potentiometer
- 4) DC OK LED (Green)
- 5) Universal mounting system



- 1) Input terminal block connector
- 2) Output terminal block connector
- 3) DC OK relay contact
- 4) DC voltage adjustment potentiometer
- 5) DC OK LED (Green)
- 6) Universal mounting system

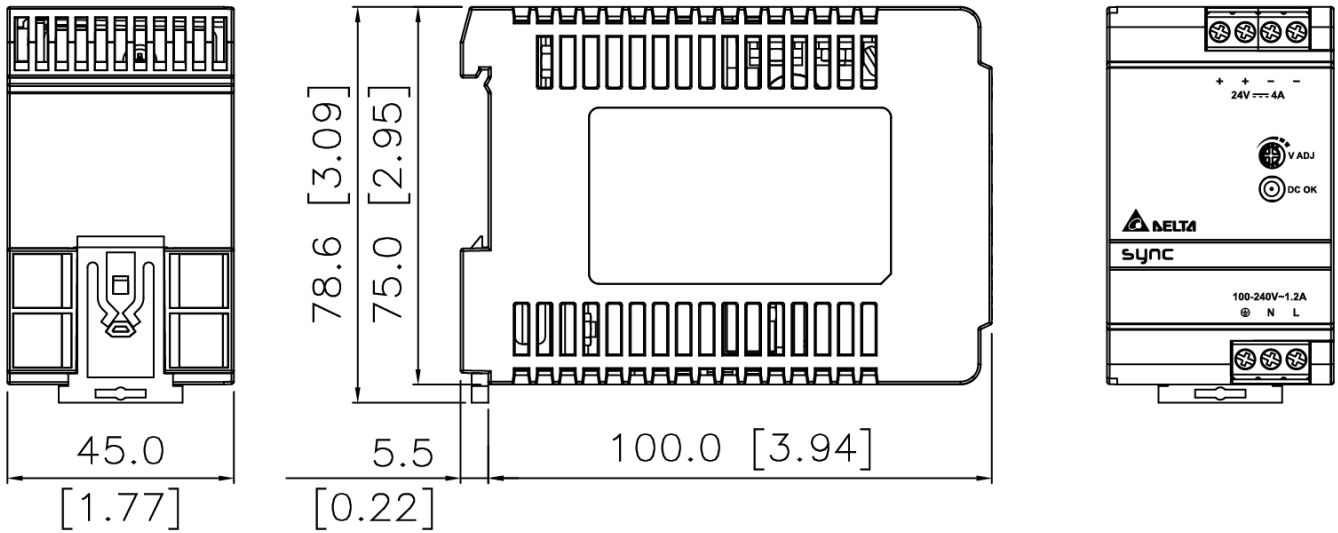
Sync DIN Rail Power Supply

24 V 100 W Series / DRS-24V100W1A□ / DRS-24V100W1N□

Dimensions

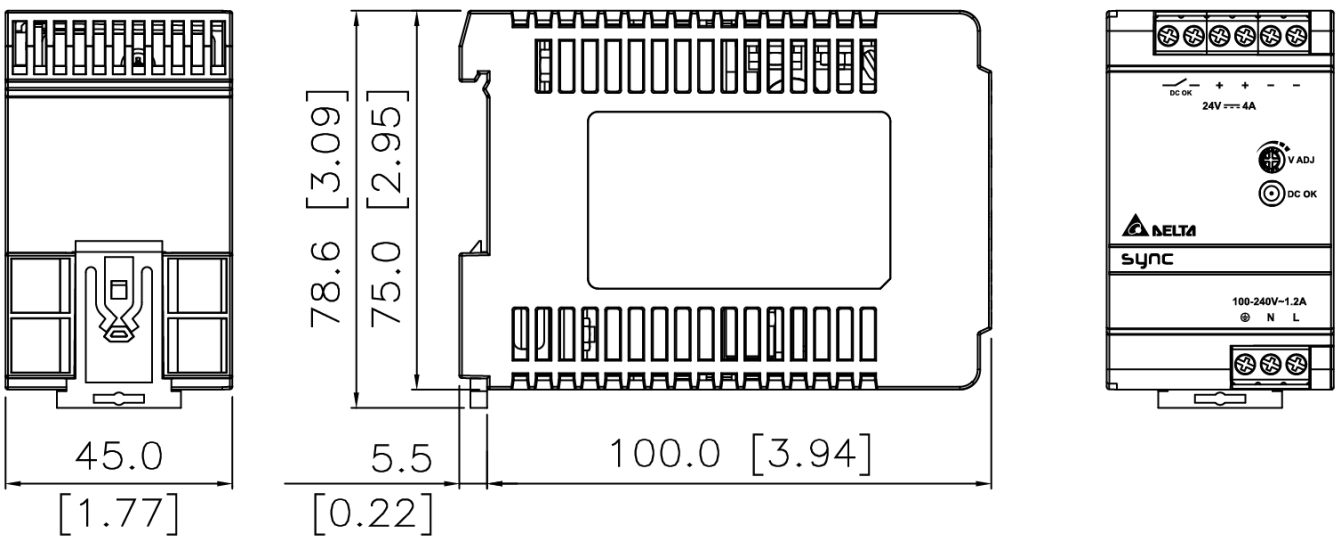
■ **DRS-24V100W1AZ**

L x W x D: 75 x 45 x 100 mm [2.95 x 1.77 x 3.94 inch]



■ **DRS-24V100W1AR**

L x W x D: 75 x 45 x 100 mm [2.95 x 1.77 x 3.94 inch]

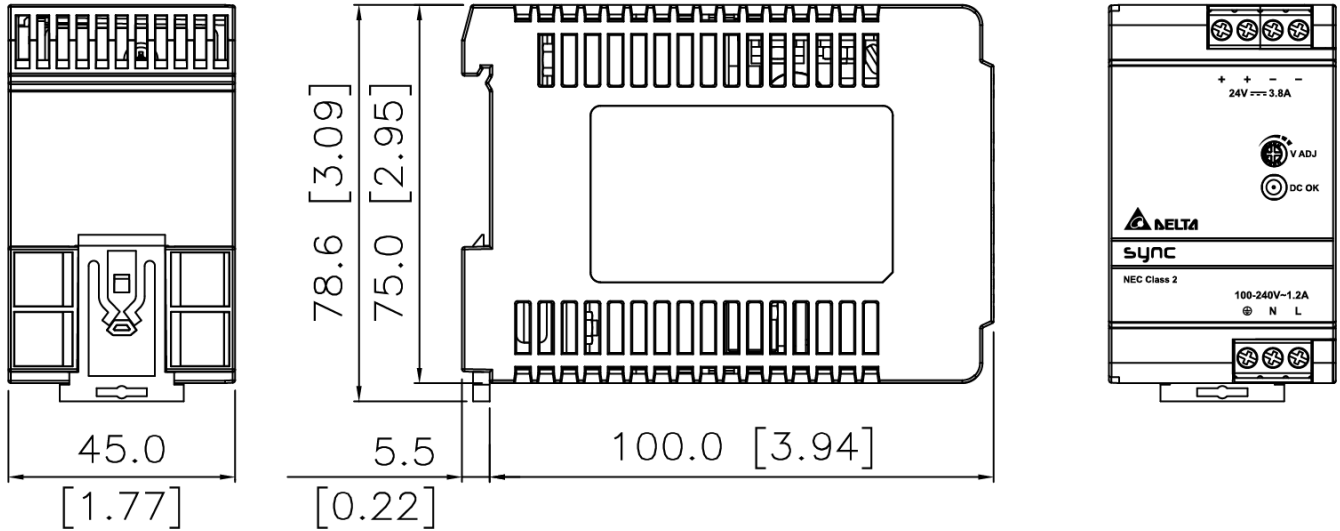


Sync DIN Rail Power Supply

24 V 100 W Series / DRS-24V100W1A□ / DRS-24V100W1N□

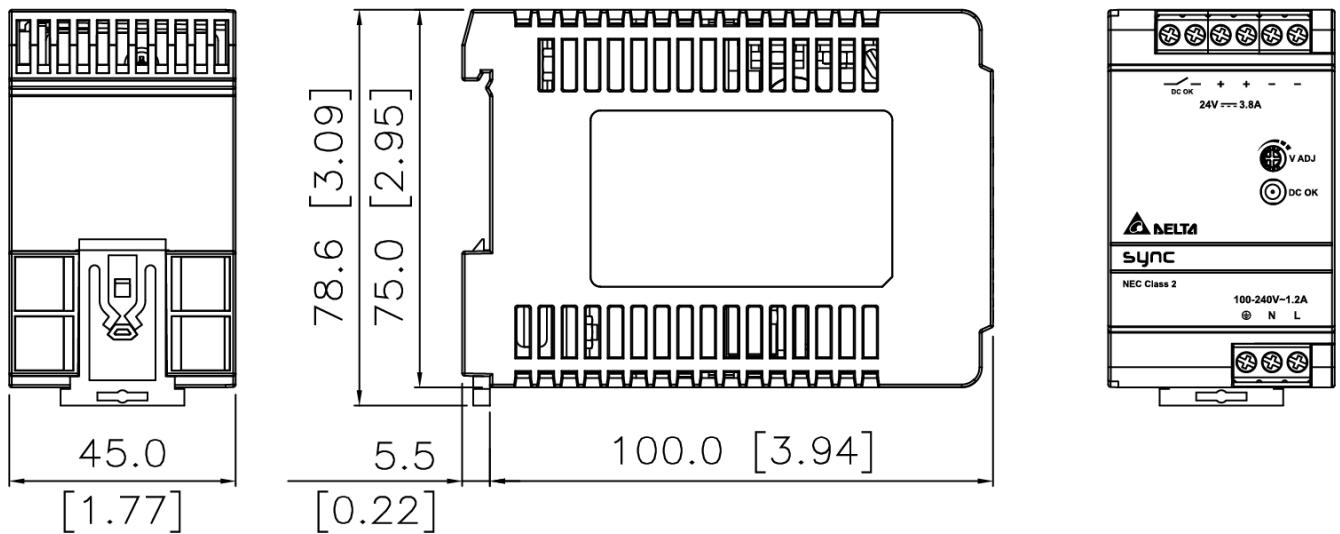
■ **DRS-24V100W1NZ**

L x W x D: 75 x 45 x 100 mm [2.95 x 1.77 x 3.94 inch]



■ **DRS-24V100W1NR**

L x W x D: 75 x 45 x 100 mm [2.95 x 1.77 x 3.94 inch]



Sync DIN Rail Power Supply

24 V 100 W Series / DRS-24V100W1A□ / DRS-24V100W1N□

Engineering Data

Output Load De-rating VS Surrounding Air Temperature

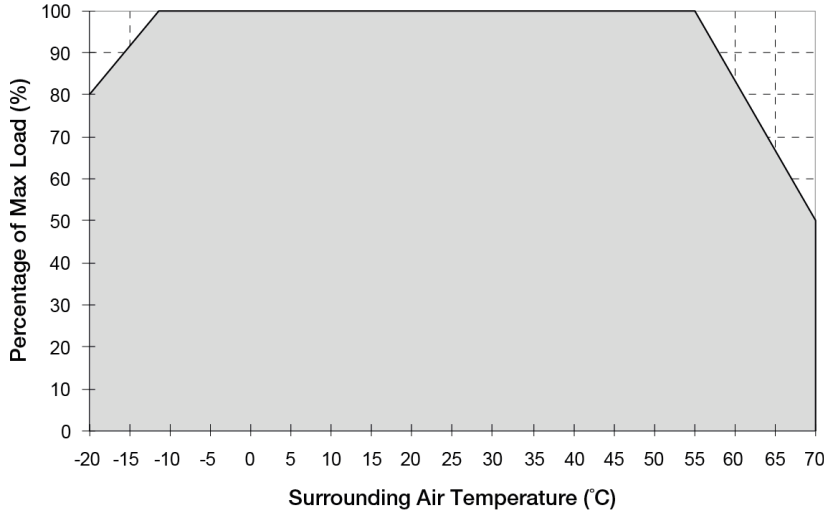


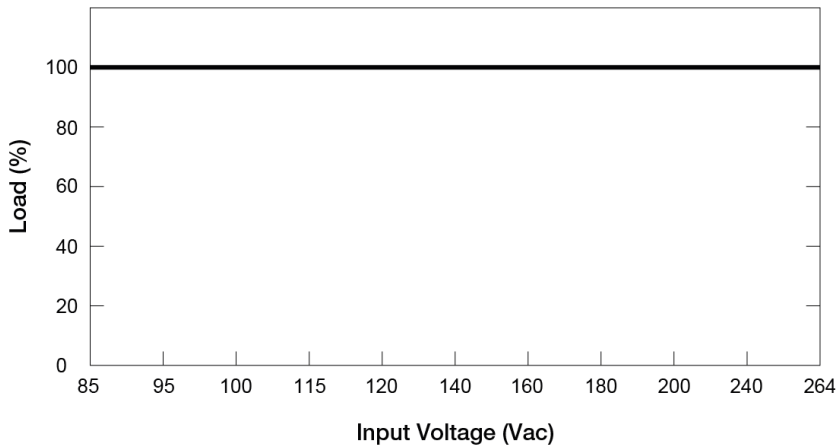
Fig. 1 De-rating for Vertical Mounting Orientation

-10°C to -20°C de-rate power by 2% / °C
 > 55°C de-rate power by 3.33% / °C

Note

1. Power supply components may degrade, or be damaged, when the power supply is continuously used outside the shaded region, refer to the graph shown in Fig. 1.
2. If the output capacity is not reduced when the surrounding air temperature exceeds its specification as defined on Page 3 under "Environment", the device will run into Over Temperature Protection. When activated, power supply will latch, until the surrounding air temperature is lowered or the load is reduced as far as necessary to keep the device in working condition, and require removal/re-application of input AC voltage in order to restart.
3. In order for the device to function in the manner intended, it is also necessary to keep a safety distance as recommended in the safety instructions while the device is in operation.
4. Depending on the surrounding air temperature and output load delivered by the power supply, the device can be very hot!
5. If the device has to be mounted in any other orientation, please contact info@deltapsu.com for more details.

Output Load De-rating VS Input Voltage



- No output power de-rating across the entire input voltage range

Sync DIN Rail Power Supply

24 V 100 W Series / DRS-24V100W1A□ / DRS-24V100W1N□

Assembly & Installation

The power supply unit (PSU) can be mounted on 35 mm DIN rails in accordance with EN 60715. The device should be installed with input terminal block at the bottom.

Each device is delivered ready to install.

Mounting

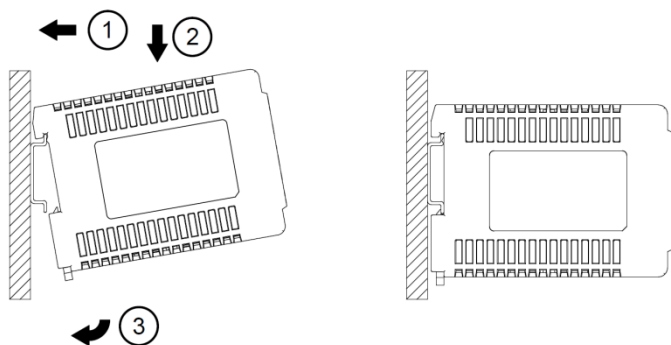


Fig. 2.1 Mounting

Snap on the DIN rail as shown in Fig. 2.1:

1. Tilt the unit slightly upwards and put it onto the DIN rail.
2. Push downwards until stopped.
3. Press against the bottom front side for locking.
4. Shake the unit slightly to ensure that it is secured.

Dismounting

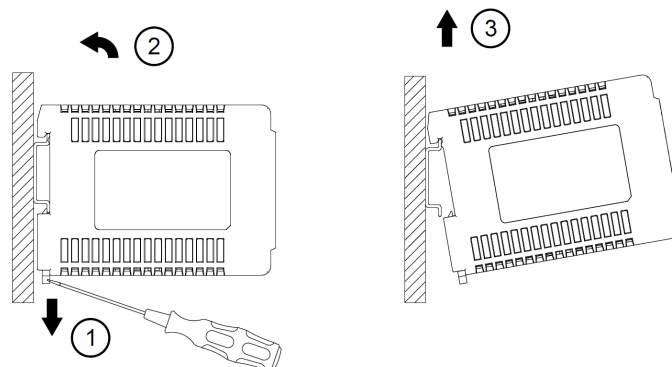
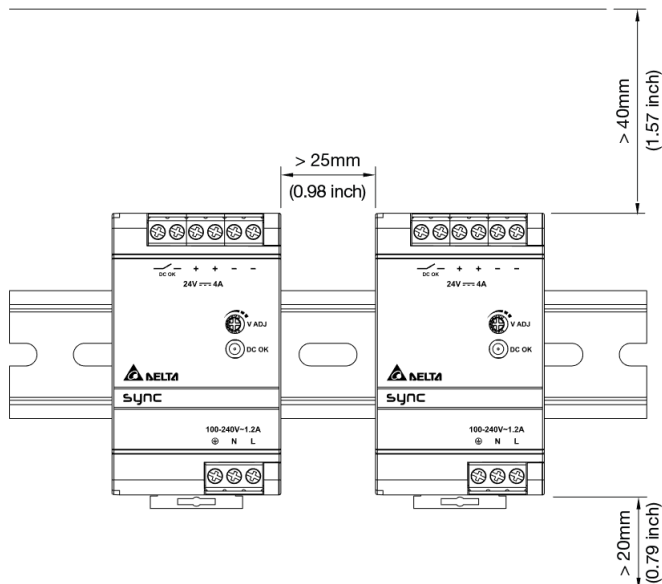


Fig. 2.2 Dismounting

To uninstall, pull or slide down the latch with screw driver as shown in Fig. 2.2. Then slide the power supply unit (PSU) in the opposite direction, release the latch and pull out the power supply unit (PSU) from the rail.

Safety Instructions



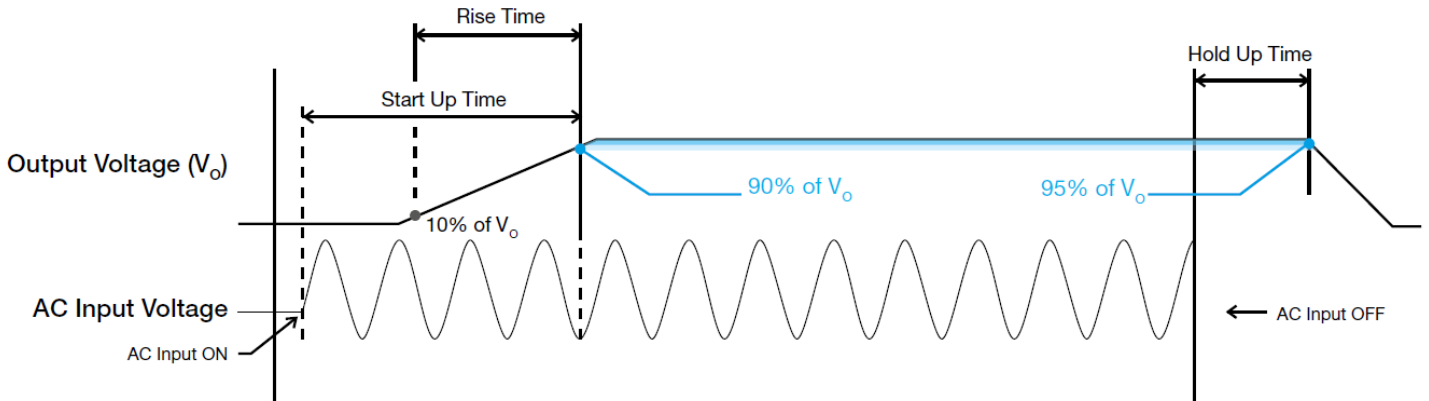
- ALWAYS switch mains of input power OFF before connecting and disconnecting the input voltage to the device. If mains are not turned OFF, there is risk of explosion / severe damage.
- To guarantee sufficient convection cooling, keep a distance of > 40 mm (1.57 inch) above and > 20 mm (0.79 inch) below the device as well as a lateral distance of > 25 mm (0.98 inch) to other units including heat source.
- Note that the enclosure of the device can become very hot depending on the surrounding air temperature and output load connected to the device. Risk of burns!
- The main power must be turned off before connecting or disconnecting the wires to the terminals!
- DO NOT insert any objects into the device.
- Dangerous voltages present for at least 5 minutes after disconnecting all sources of power.
- The power supplies unit should be installed in minimum IP54 rated enclosure.
- The power supplies are built in units and must be installed in a cabinet or room (condensation free environment and indoor location) that is relatively free of conductive contaminants.

Sync DIN Rail Power Supply

24 V 100 W Series / DRS-24V100W1A□ / DRS-24V100W1N□

Functions

- Graph illustrating the Start-up Time, Rise Time, and Hold-up Time



Start-up Time

The time required for the output voltage to reach 90% of its final steady state set value, after the input voltage is applied.

Rise Time

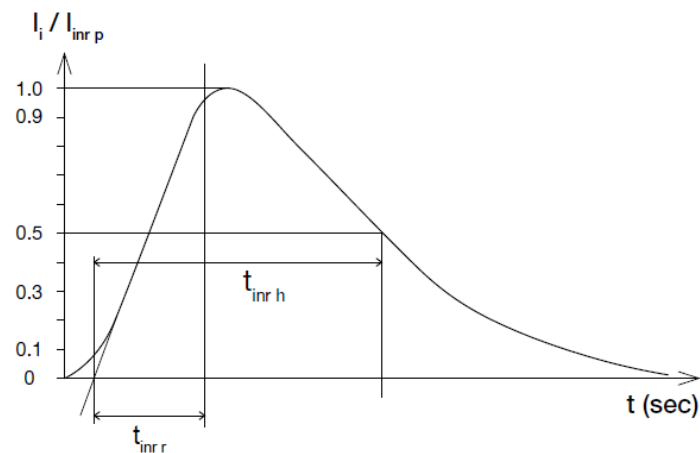
The time required for the output voltage to change from 10% to 90% of its final steady state set value.

Hold-up Time

Time between the collapse of the AC input voltage, and the output falling to 95% of its steady state set value.

Inrush Current

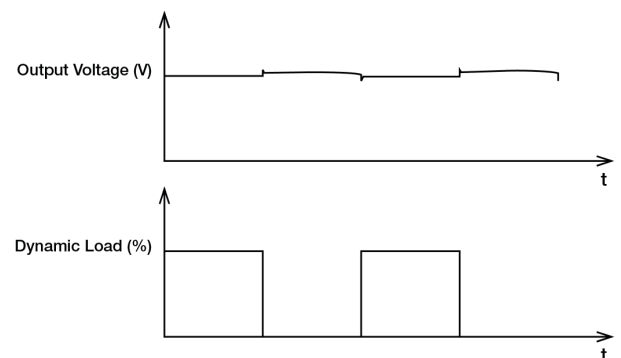
Inrush current is the peak, instantaneous, input current measured and, occurs when the input voltage is first applied. For AC input voltages, the maximum peak value of inrush current will occur during the first half cycle of the applied AC voltage. This peak value decreases exponentially during subsequent cycles of AC voltage.



Dynamic Response

The power supply output voltage will remain within $\pm 5\%$ of its steady state value, when subjected to a dynamic load from 0% to 100% of its rated current.

- 50% duty cycle / 5 Hz to 1 KHz

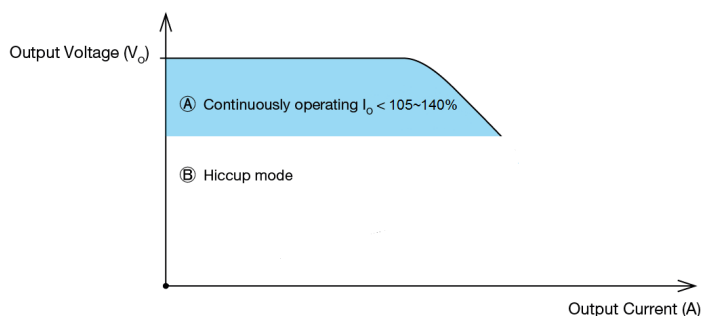


Sync DIN Rail Power Supply

24 V 100 W Series / DRS-24V100W1A□ / DRS-24V100W1N□

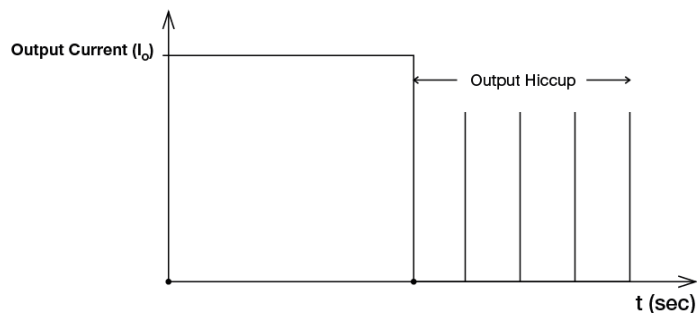
Overload & Overcurrent Protections (Auto-Recovery)

The power supply's Overcurrent Protection (OCP) will be activated when output current is about 105~140% of I_o (Max load). When this occurs, the V_o will start to droop (refer to ① below). Once the output current is about 5.2 A typ. (for DRS-24V100W1A□) and 4.2 A typ. (for DRS-24V100W1N□) the power supply will start to operate in "Hiccup mode" (Auto-Recovery mode). The power supply will recover once the fault condition of the OCP is removed and output current is back within the specifications.



Short Circuit Protection (Auto-Recovery)

The power supply's output Short Circuit Protection function also provides protection against short circuits. When a short circuit is applied, the output current will operate in "Hiccup mode". The power supply will return to normal operation after the short circuit is removed.



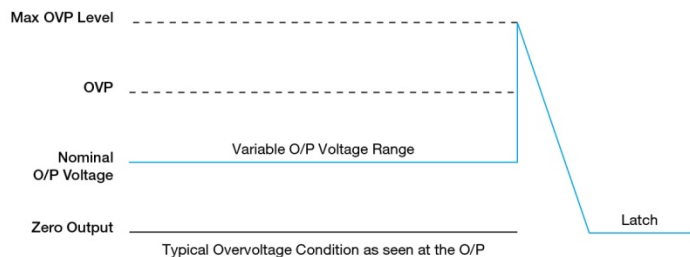
External Input Protection Device

The unit is protected with internal fuse (not replaceable) at L pin and it has been tested and approved on 20 A (UL) and 16 A (IEC) branch circuits without additional protection device. An external protection device is only required if the supplying branch has an ampacity greater than above. Thus, if an external protective device is necessary, or, utilized, a minimum value of 20 A B- or 10 A C-characteristic breaker should be used.

Overvoltage Protection (Latch Mode)

The power supply's overvoltage circuit will be activated when its internal feedback circuit fails. The output voltage shall not exceed its specifications defined on Page 3 under "Protections". Power supply will latch, and require removal/re-application of input AC voltage in order to restart.

The power supply should be latch.



Over Temperature Protection (Latch Mode)

As described in load de-rating section, the power supply also has Over Temperature Protection (OTP). In the event of a higher operating temperature at 100% load; or, when the operating temperature is beyond what is recommended in the de-rating graph, the OTP circuit will be activated. When activated, power supply will latch, until the surrounding air temperature drops to its normal operating temperature or the load is reduced as recommended in the de-rating graph. Removal/re-application of input AC voltage will then be required in order to restart.

Sync DIN Rail Power Supply

24 V 100 W Series / DRS-24V100W1A□ / DRS-24V100W1N□

Operating Mode

Redundant Operation

In order to ensure proper redundant operation for the power supply units (PSUs), the output voltage difference between the two units must be kept at 0.45~0.50 V for these 24 V supplies. Follow simple steps given below to set them up for the redundant operation:

Step 1.

Measure output voltage of PSU 1 and PSU 2. If PSU 1 is the master unit, then V_O of PSU 1 must be higher than PSU 2. In order to set the output voltage, individually connect each power supply to 50% of rated load at any line voltage from 85-264Vac, and set the PSU 1 and PSU 2 output voltage.

Step 2.

Connect the power supply units PSU 1 and PSU 2 to V_{in1} & V_{in2} , respectively, of the DRR-20 N (or 20 A) module shown on the right of above diagram.

Step 3.

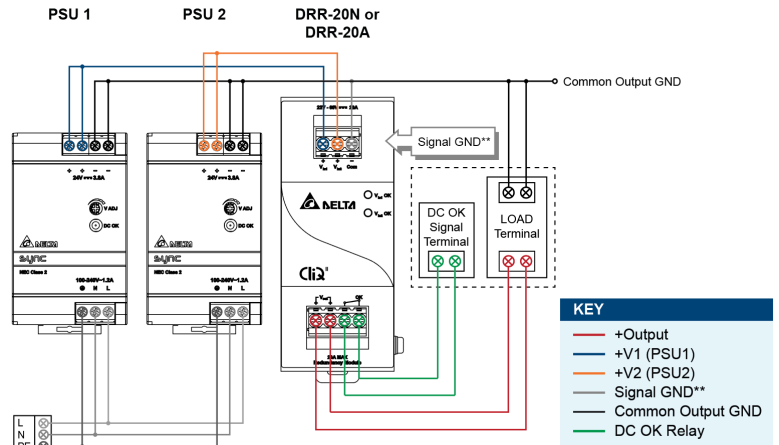
Connect the system load to V_{out} . Please note that output voltage V_{out} from DRR module will be = V_O (output voltage of power supply) - V_{drop}^* (in DRR module).

* V_{drop} will vary from 0.60 V to 0.90 V (Typical 0.65 V) depending on the load current and surrounding air temperature.

Parallel Operation

The power supply units (PSUs) can also be used for parallel operation in order to increase the output power. The difference in output voltage between the two units must be kept to within 25 mV of each other. This difference must be verified with the same output load connected independently to each unit.

Parameters such as EMI, inrush current, leakage current, PARD, start up time will be different from those on the datasheet, when two units are connected in parallel. The user will need to verify that any differences will still allow the two power supplies connected in parallel will work properly in their product/application.



**The Signal GND in the DRR module is for the built-in LED and DC OK signals. The Output GND terminals from the two PSU's do not need to be connected to the Signal GND terminal.

Fig. 3 Redundant Operation Connection Diagram

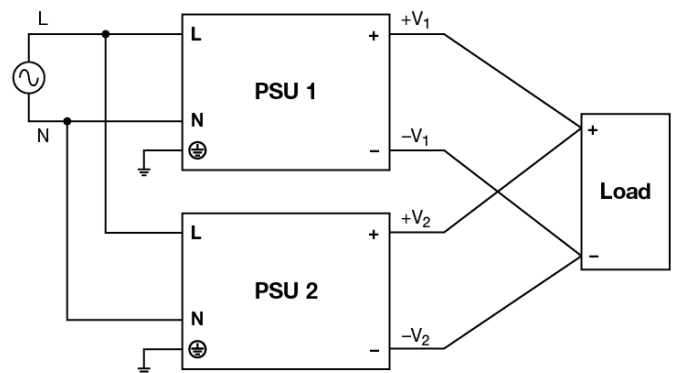


Fig. 4 Parallel Operation Connection Diagram

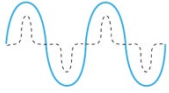
Sync DIN Rail Power Supply

24 V 100 W Series / DRS-24V100W1A□ / DRS-24V100W1N□

Others

PFC – Norm EN 61000-3-2

Line Current Harmonic content



Typically, the input current waveform is not sinusoidal due to the periodical peak charging of the input capacitor. In industrial environment, complying with EN 61000-3-2 is only necessary under special conditions. Complying to this standard can have some technical drawbacks, such as lower efficiency as well as some commercial aspects such as higher purchasing costs. Frequently, the user does not profit from fulfilling this standard, therefore, it is important to know whether it is mandatory to meet this standard for a specific application.

Attention

Delta provides all information in the datasheets on an “AS IS” basis and does not offer any kind of warranty through the information for using the product. In the event of any discrepancy between the information in the catalog and datasheets, the datasheets shall prevail (please refer to www.DeltaPSU.com for the latest datasheets information). Delta shall have no liability of indemnification for any claim or action arising from any error for the provided information in the datasheets. Customer shall take its responsibility for evaluation of using the product before placing an order with Delta.

Delta reserves the right to make changes to the information described in the datasheets without notice.

Manufacturer and Authorized Representatives Information

Manufacturer

Thailand
Delta Electronics (Thailand) PCL.
909 Pattana 1 Rd., Muang, Samutprakarn, 10280 Thailand

Taiwan
Delta Electronics, Inc.
3 Tungyuan Road, Chungli Industrial Zone, Taoyuan County
32063, Taiwan

Authorized Representatives

The Netherlands
Delta Greentech (Netherlands) B.V.
Zandsteen 15, 2132 MZ Hoofddorp, The Netherlands

United Kingdom
Delta Electronics Europe Limited
1 Redwood Court, Peel Park Campus,
East Kilbride, Glasgow, G74 5PF, United Kingdom

Mouser Electronics

Authorized Distributor

Click to View Pricing, Inventory, Delivery & Lifecycle Information:

[Delta Electronics:](#)

[DRS-24V100W1AR](#) [DRS-24V100W1AZ](#)