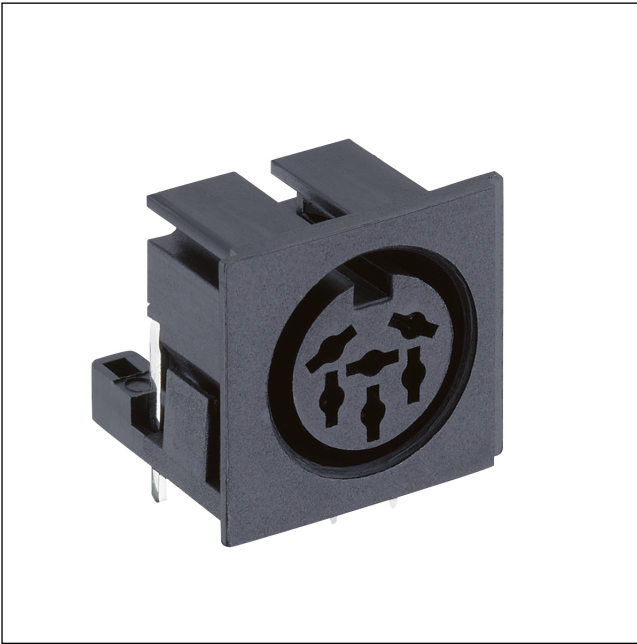


01

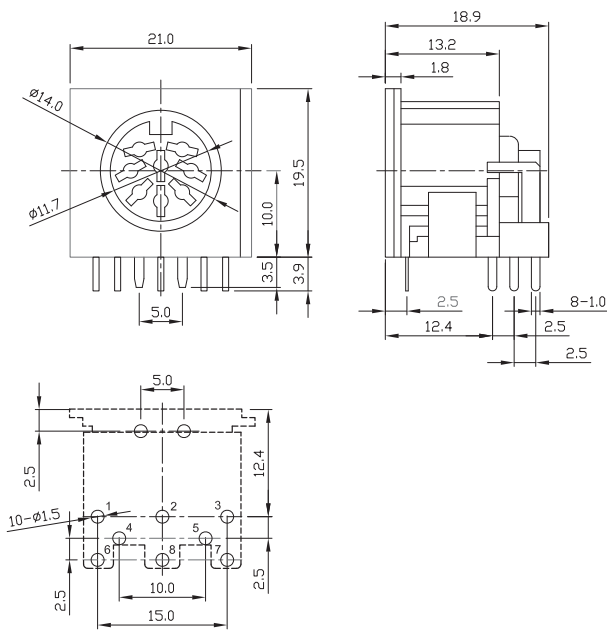
0105

DIN circular connectors



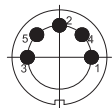
DIN chassis socket, right angle version, with ground contact, suitable for locking, for printed circuit boards

01 0105



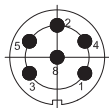
Pin configurations, solder side view

DIN 41524



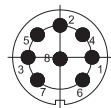
0105 05

DIN 45322



0105 06

DIN 45326



0105 08-1

- *a distance of ground contact pins 5 mm
- *b Printed circuit board layout, solder side view

Environmental conditions

Temperature range -20 °C/+70 °C

Materials

Insulating body	PBT, V-0 according to UL94
Contact spring	CuZn, tin-plated
Ground contact spring	CuZn, tin-plated
Cover	PBT, V-0 according to UL94

Mechanical data

Mating cycles	5000
Insertion force	4,9–49 N
Withdrawal force	4,9–49 N

Electrical data (at T_{amb} 20 °C)

Contact resistance	≤ 20 mΩ
Rated current	4 A
Rated voltage	24 V AC
Rated impulse voltage	1000 V AC/60 s
Insulation resistance	≥ 100 MΩ

Associated products

Counterparts
[☞ 0131](#) [☞ 0137](#)

01

0105

Designation	Pole Number	PU (Pieces)	MDQ (Pieces)
0105 05	5	100	300
0105 06	6	100	300
0105 08-1	8	100	300

Packaging:
in a tray