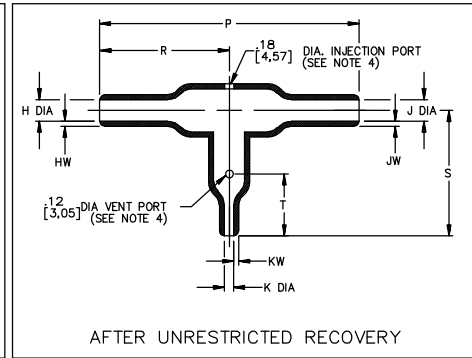
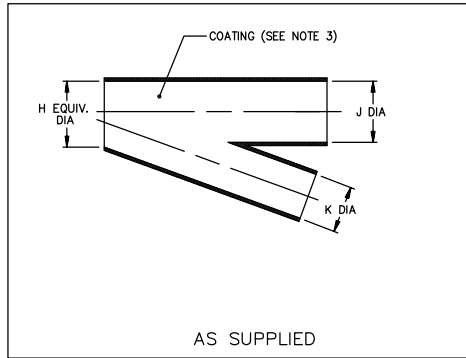


Thermofit[®] Molded Parts Specification Control Drawing

Part Number : 322A112 thru 158
Description : Transition, 90°
Side Breakout

NOTES

- All dimensions are in $\frac{\text{inches}}{\text{[millimeters]}}$
- Dimensions appearing in table are as follows:
 - a - As Supplied
 - b - After Unrestricted Recovery
- Coating is optional. As supplied dimensions appearing in table are for uncoated parts. When coating is added, entry diameters will be reduced by .06 max.
- Molding ports are optional. When -00 modification number is specified molding ports will be located as shown. On size 322A112 the vent port will be eliminated.



| PART NUMBER | H & J | | K | | P | R | S | T | HW & JW | KW |
|-------------|----------------|----------------|----------------|---------------|-----------------|-----------------|----------------|----------------|---------------|---------------|
| | Min a | Max b | Min a | Max b | ±10% b | ±10% b | ±10% b | ±10% b | ±20% b | ±20% b |
| 322A112 | .52 [13,2] | .23 [5,8] | .26 [6,6] | .12 [3,0] | 2.06 [52,3] | 1.03 [26,2] | .76 [19,3] | N/A | .06 [1,52] | .04 [1,02] |
| 322A123 | 1.06 [26,9] | .49 [12,4] | .26 [6,6] | .12 [3,0] | 3.28 [83,3] | 1.64 [41,7] | 1.07 [27,2] | .42 [10,7] | .10 [2,54] | .04 [1,02] |
| 322A134 | 1.06 [26,9] | .50 [12,7] | .52 [13,2] | .23 [5,8] | 4.24 [107,7] | 2.12 [53,8] | 1.52 [38,6] | .80 [20,3] | .10 [2,54] | .06 [1,52] |
| 322A148 | 2.19 [55,6] | 1.00 [25,4] | .52 [13,2] | .23 [5,8] | 7.11 [180,6] | 3.56 [90,4] | 2.26 [57,4] | 1.00 [25,4] | .18 [4,57] | .06 [1,52] |
| 322A158 | 2.19 [55,6] | 1.00 [25,4] | 1.06 [26,9] | .49 [12,4] | 8.75 [222,3] | 4.38 [111,3] | 3.06 [77,7] | 1.50 [38,1] | .18 [4,57] | .10 [2,54] |



TE CONNECTIVITY
300 CONSTITUTION DRIVE
MENLO PARK, CALIFORNIA 94025

Revision : S1
Date : 20APR11

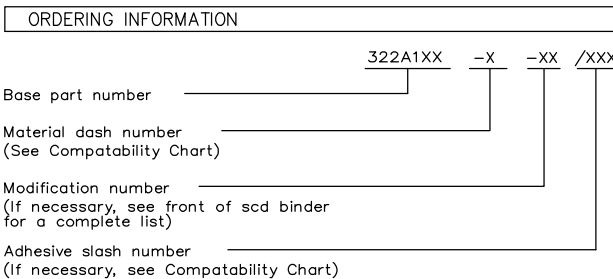
Part Number : 322A112 thru 158
Description : Transition, 90°
Side Breakout

Thermofit[®] Molded Parts Specification Control Drawing

Part Number : 322A112 thru 158
Description : Transition, 90°
Side Breakout

| MATERIAL DASH NO. | MATERIAL DESCRIPTION | RT SPEC | COATING SLASH NO. | COATING S NO. | COATING DESCRIPTION |
|-------------------|---------------------------------------|---------|-------------------|---------------|---------------------|
| -3 | Polyolefin, Semi-rigid | RT-301 | /42;/86 | S-1017;S-1048 | Adhesive |
| -4 | Polyolefin, Flexible | RT-1304 | /42;/86 | S-1017;S-1048 | Adhesive |
| -5 | Elastomer, Flexible | RT-501 | /42 | S-1017 | Adhesive |
| -6 | Silicone | RT-602 | N/A | | |
| -12 | *VITON, Flexible | RT-1312 | N/A | | |
| -25 | Elastomer, Fluid Resistant | RT-1325 | /42;/86 | S-1017;S-1048 | Adhesive |
| -100 | Polyolefin, Semi-flexible ZEROHAL™ | RT-1323 | /86;/180 | S-1048;S-1030 | Adhesive |

*VITON is a Registered Trademark of Dupont



IF THIS DOCUMENT IS PRINTED IT BECOMES UNCONTROLLED.
CHECK FOR THE LATEST REVISION.

THIS DRAWING IS SUBJECT TO CHANGE WITHOUT NOTICE; CONSULT YOUR
NEAREST FIELD REPRESENTATIVE FOR CURRENT REVISION



TE CONNECTIVITY
300 CONSTITUTION DRIVE
MENLO PARK, CALIFORNIA 94025

Revision : S1
Date : 20APR11

Part Number : 322A112 thru 158
Description : Transition, 90°
Side Breakout

CAD FILE MP00071