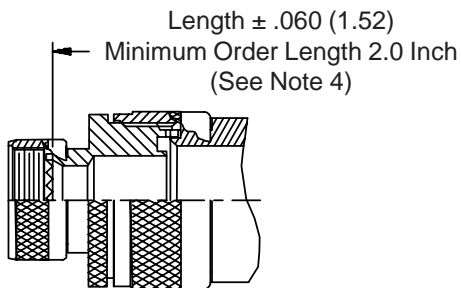
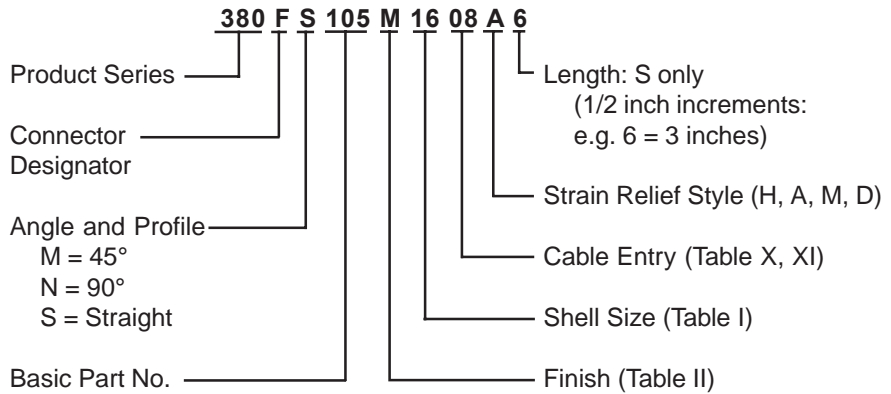
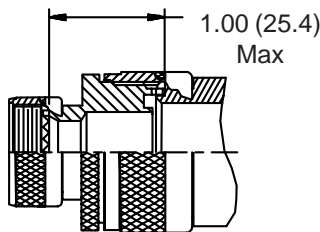


**CONNECTOR
 DESIGNATORS
 A-F-H-L-S
 SELF-LOCKING
 ROTATABLE
 COUPLING**

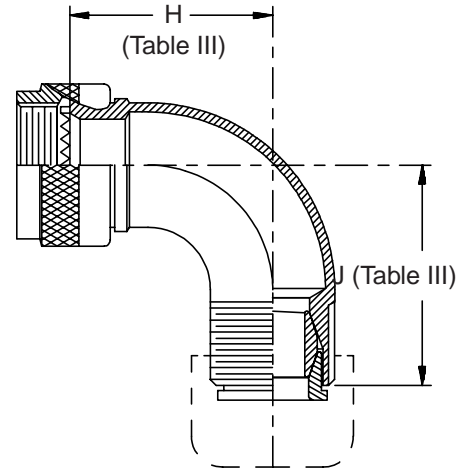
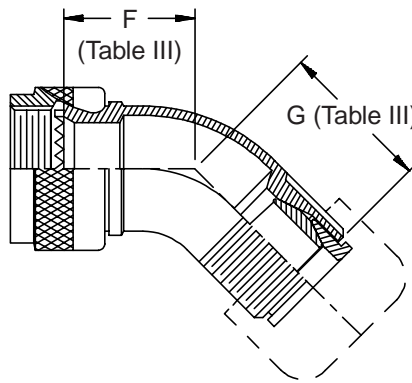
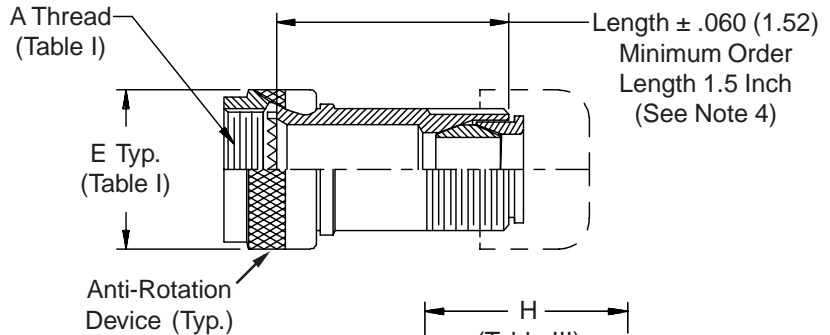
**TYPE F INDIVIDUAL
 AND/OR OVERALL
 SHIELD TERMINATION**



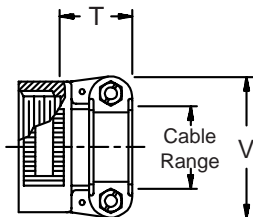
**STYLE 2
 (STRAIGHT
 See Note 1)**



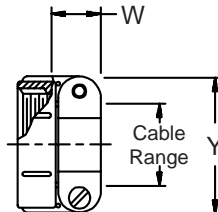
**STYLE 2
 (45° & 90°
 See Note 1)**



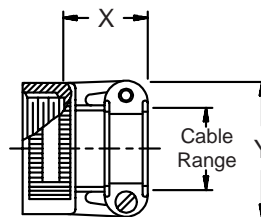
**STYLE H
 Heavy Duty
 (Table X)**



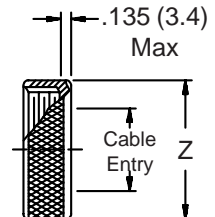
**STYLE A
 Medium Duty
 (Table XI)**



**STYLE M
 Medium Duty
 (Table XI)**



**STYLE D
 Medium Duty
 (Table XI)**



380-105
EMI/RFI Non-Environmental Backshell
with Strain Relief
Type F - Self-Locking - Rotatable Coupling - Full Radius Profile



TABLE III: ELBOW DIMENSIONS

Shell Size		F		G		H		J	
Conn. Desig.		Max		Max		Max		Max	
A-F-L-S	H								
08	09	.968	(24.6)	.875	(22.2)	1.281	(32.5)	1.188	(30.2)
10	11	1.031	(26.2)	.938	(23.8)	1.406	(35.7)	1.312	(33.3)
12	13	1.094	(27.8)	1.000	(25.4)	1.531	(38.9)	1.438	(36.5)
14	15	1.156	(29.4)	1.062	(27.0)	1.656	(42.1)	1.562	(39.7)
16	17	1.219	(31.0)	1.125	(28.6)	1.781	(45.2)	1.688	(42.9)
18	19	1.250	(31.8)	1.156	(29.4)	1.906	(48.4)	1.812	(46.0)
20	21	1.312	(33.3)	1.219	(31.0)	2.031	(51.6)	1.938	(49.2)
22	23	1.344	(34.1)	1.250	(31.8)	2.156	(54.8)	2.062	(52.4)
24	25	1.406	(35.7)	1.312	(33.3)	2.281	(57.9)	2.188	(55.6)
28		1.500	(38.1)	1.625	(41.3)	2.531	(64.3)	2.625	(66.7)

TABLE II: STANDARD FINISHES

GLENAIR SYMBOL	FINISH
B	Cadmium Plate, Olive Drab
M	Electroless Nickel
NF	Cadmium Plate, Olive Drab Over Electroless Nickel

See Inside Back Cover for Additional Finish Options

See inside back cover fold-out or pages 13 and 14 for unabridged Tables I and II.

TABLE X: CABLE ENTRY

Dash No.	T Max	V Max	Cable Range			
			Min	Max	Min	Max
04	.780 (19.8)	.957 (24.3)	.125 (3.2)	.312 (7.9)		
06	.780 (19.8)	1.145 (29.1)	.250 (6.4)	.437 (11.1)		
08	.780 (19.8)	1.332 (33.8)	.312 (7.9)	.562 (14.3)		
10	.780 (19.8)	1.332 (33.8)	.350 (8.9)	.625 (15.9)		
12	.811 (20.6)	1.551 (39.4)	.500 (12.7)	.750 (19.1)		
16	.905 (23.0)	1.770 (45.0)	.625 (15.9)	.937 (23.8)		
20	1.092 (27.7)	2.113 (53.7)	.875 (22.2)	1.250 (31.8)		
24	1.124 (28.5)	2.363 (60.0)	1.000 (25.4)	1.375 (34.9)		
28	1.399 (35.5)	2.770 (70.4)	1.250 (31.8)	1.625 (41.3)		
32	1.399 (35.5)	3.020 (76.7)	1.437 (36.5)	1.875 (47.6)		

1. When maximum cable entry (page 21) is exceeded, Style 2 will be supplied. Dimensions F, G, H and J will not apply. Please consult factory.
2. Metric dimensions (mm) are indicated in parentheses.
3. Cable range is defined as the accommodations range for the wire bundle or cable. Dimensions shown are not intended for inspection criteria.
4. Consult factory for shorter lengths on straight backshells.

TABLE XI: CABLE ENTRY

Dash No.	W Max	X Max	Y Max	Z Max	Cable Range	
					Min **	Max
03*	.437 (11.1)	.760 (19.3)	.843 (21.4)	.630 (16.0)	.156 (4.0)	.250 (6.4)
04*	.437 (11.1)	.760 (19.3)	.906 (23.0)	.755 (19.2)	.188 (4.8)	.312 (7.9)
06*	.500 (12.7)	.760 (19.3)	1.093 (27.8)	.942 (23.9)	.281 (7.1)	.438 (11.1)
08	.563 (14.3)	.760 (19.3)	1.187 (30.1)	1.067 (27.1)	.344 (8.7)	.562 (14.3)
10	.563 (14.3)	.760 (19.3)	1.281 (32.5)	1.192 (30.3)	.375 (9.5)	.625 (15.9)
12	.563 (14.3)	.760 (19.3)	1.500 (38.1)	1.380 (35.1)	.438 (11.1)	.750 (19.1)
16	.656 (16.7)	1.073 (27.3)	1.719 (43.7)	1.535 (39.0)	.562 (14.3)	.938 (23.8)
20	.656 (16.7)	1.323 (33.6)	2.062 (52.4)	1.848 (46.9)	.750 (19.1)	1.250 (31.8)
24	.656 (16.7)	1.323 (33.6)	2.312 (58.7)	2.255 (57.3)	.781 (19.8)	1.375 (34.9)
28	1.188 (30.2)	1.572 (39.9)	2.719 (69.1)	2.505 (63.6)	.969 (24.6)	1.625 (41.3)
32*	1.187 (30.1)	1.572 (39.9)	2.969 (75.4)	2.755 (70.0)	1.125 (28.6)	1.875 (47.6)
40*	1.125 (28.6)	1.572 (39.9)	3.531 (89.7)	3.255 (82.7)	1.469 (37.3)	2.375 (60.3)

* Not available in Style M clamp. ** Not Applicable Style D

Mouser Electronics

Authorized Distributor

Click to View Pricing, Inventory, Delivery & Lifecycle Information:

Glenair:

[380AN105NF1406H](#) [380AN105NF1408H](#) [380AS105NF1004H4](#) [380AS105NF1006H4](#) [380AS105NF1204H4](#)
[380AS105NF1206H4](#) [380AS105NF1404H3](#) [380AS105NF1408M4](#) [380AS105NF1410M4](#) [380AS105NF1412M4](#)
[380AS105NF1612M4](#) [380AS105NF1806H3](#) [380AS105NF1808M4](#) [380AS105NF2004H3](#) [380AS105NF2010M3](#)
[380AS105NF2204H4](#) [380AS105NF2210H3](#) [380AS105NF2212H4](#) [380AS105NF2408H4](#) [380AS105NF2410H3](#)
[380AS105NF2412H4](#) [380AS105NF2420H4](#) [380AS105NF2420M4](#) [380AS105NF2810H4](#) [380AS105Z11406H4](#)
[380AS105Z11806H4](#) [380AS105Z12208H4](#) [380HM105NF1506H](#) [380HN105NF1106H](#) [380HN105NF2516H](#)
[380HS105M2316M3](#) [380HS105NF0904H4](#) [380HS105NF0906H4](#) [380HS105NF1103A3](#) [380HS105NF1104H3](#)
[380HS105NF1104H4](#) [380HS105NF1106A4](#) [380HS105NF1106H4](#) [380HS105NF1108H4](#) [380HS105NF1108M4](#)
[380HS105NF1110H4](#) [380HS105NF1110M4](#) [380HS105NF1112M4](#) [380HS105NF1116H4](#) [380HS105NF1116M4](#)
[380HS105NF1304H3](#) [380HS105NF1304H4](#) [380HS105NF1306H3](#) [380HS105NF1306H4](#) [380HS105NF1308H4](#)
[380HS105NF1308H6](#) [380HS105NF1310H4](#) [380HS105NF1310M4](#) [380HS105NF1312M4](#) [380HS105NF1316M4](#)
[380HS105NF1504H3](#) [380HS105NF1504H4](#) [380HS105NF1506H3](#) [380HS105NF1506H4](#) [380HS105NF1508H3](#)
[380HS105NF1508H4](#) [380HS105NF1508M3](#) [380HS105NF1508M6](#) [380HS105NF1510H3](#) [380HS105NF1510H4](#)
[380HS105NF1510M4](#) [380HS105NF1512H4](#) [380HS105NF1512M4](#) [380HS105NF1516M4](#) [380HS105NF1516M6](#)
[380HS105NF1708M3](#) [380HS105NF1710M3](#) [380HS105NF1712H6](#) [380HS105NF1716H4](#) [380HS105NF1716M4](#)
[380HS105NF1716M6](#) [380HS105NF1910M4](#) [380HS105NF1916M4](#) [380HS105NF1920H4](#) [380HS105NF2108H4](#)
[380HS105NF2108M3](#) [380HS105NF2110H3](#) [380HS105NF2110H6](#) [380HS105NF2112H6](#) [380HS105NF2116H4](#)
[380HS105NF2116H6](#) [380HS105NF2116M6](#) [380HS105NF2120H4](#) [380HS105NF2120H6](#) [380HS105NF2120M6](#)
[380HS105NF2124H4](#) [380HS105NF2316H3](#) [380HS105NF2316H6](#) [380HS105NF2512M3](#) [380HS105NF2516H3](#)
[380HS105NF2516H4](#) [380HS105NF2516M3](#) [380HS105NF2516M4](#) [380HS105NF2520H6](#) [380HS105NF2520M3](#)