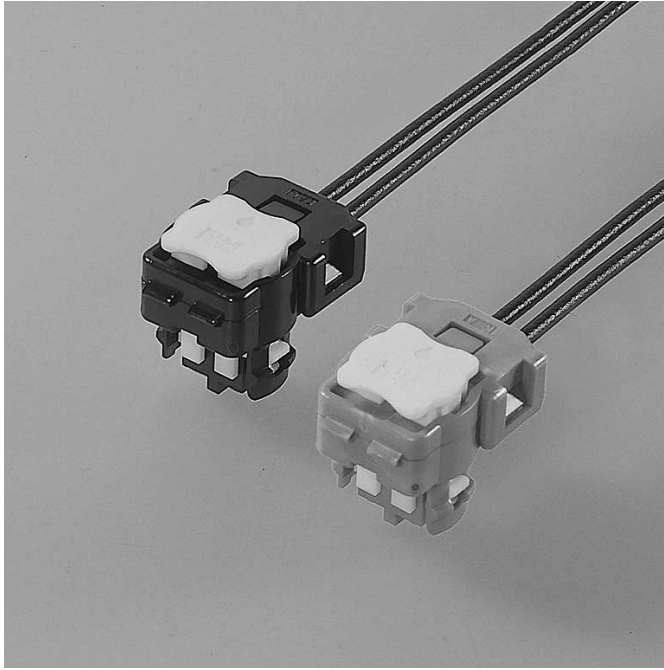


SQH CONNECTOR

Squib connectors



This connector for air-bag has intelligent CPA, which allows locking the connector, incomplete mating detection and release of short-circuit at the same time.

Features

● Compact design

This connector is approximately 13mm smaller than the SQS connector in total length (31.3mm→18mm). This connector can fit in the outer diameter 25mm or less of an inflator.

● Mating

Intelligent CPA adopted. It enables the connector to be locked securely and prevents incomplete mating on the assembly line resulting in improved connector retention force.

● Terminal construction

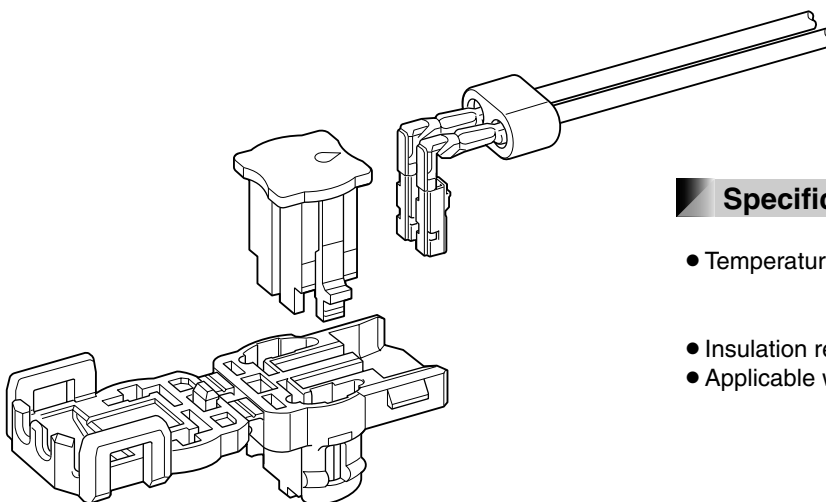
It is designed to prevent the deformation of the contact part when processing wire harness by protecting the contact part of each terminal with a box.

● Scooping (kajiri) preventive construction

Using a shunt ring with a countermeasure for scooping (kajiri), the resistance to scooping (kajiri) insertion and withdrawal is improved.

● Noise suppression

Ferrite core provides simple and reliable noise suppression characteristics.



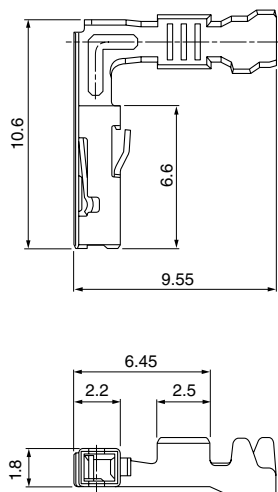
Specifications

- Temperature range: -30°C to +80°C
(including temperature rise in applying electrical current)
- Insulation resistance: 100 MΩ min.
- Applicable wire: 0.3 mm² to 0.5 mm²

* Compliant with ELV/RoHS.
* Contact JST for details.

SQH CONNECTOR

Female terminal



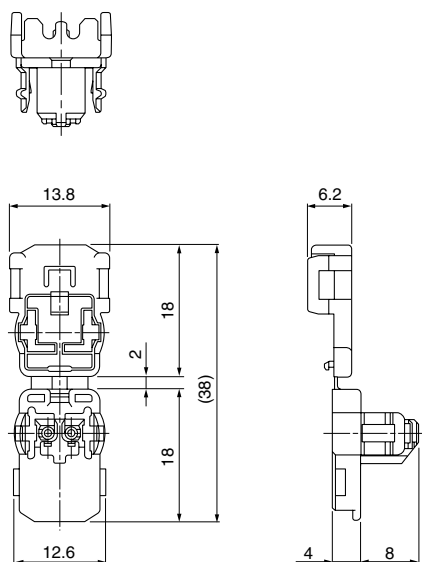
Model No.	Applicable wire range		Q ty/reel
	Conductor (mm ²)	Insulation O.D. (mm)	
SQS-A03GF-P-P	0.3 to 0.5	1.0 to 1.6	6,500
SQS-A03GI-P-P	0.3 to 0.5	1.0 to 1.6	6,500

Material and Finish

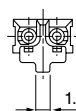
GF: Copper alloy, nickel-undercoated,
Contact area; gold-plated (0.4 μm min.)

GI: Copper alloy, nickel-undercoated,
Contact area; gold-plated (0.8 μm min.)

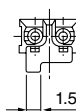
Female housing



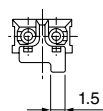
• Keying figure



A code (black)



B code (green)



C code (orange)

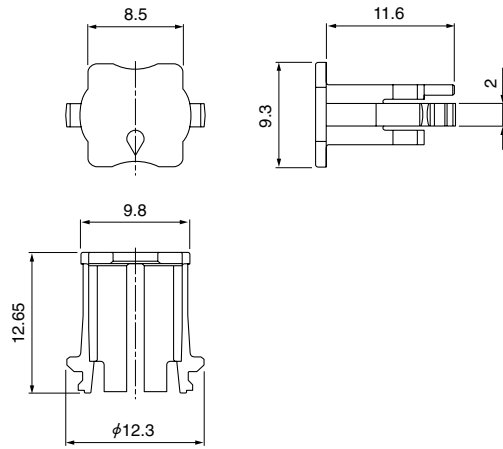
Circuits	Model No.	Key figure	Q ty/box	Color
2	SQHR-02H-1A-K	A code	1,500	Black
	SQHR-02H-1B-M	B code	1,500	Green
	SQHR-02H-1C-D	C code	1,500	Orange

Material

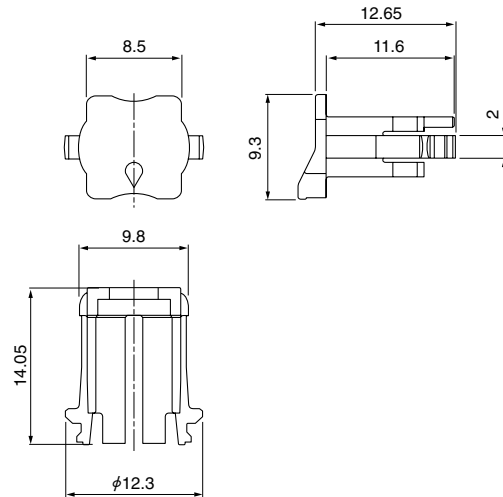
PBT

CPA housing

• SQSC-02H-1A-Y

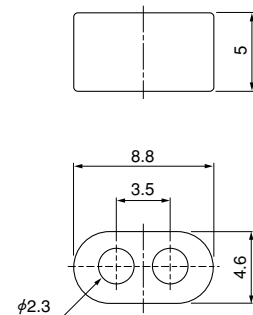


• SQSC-02H-2A-Y



Circuits	Model No.	Q ty/box	Color
2	SQSC-02H-1A-Y	2,000	Yellow
	SQSC-02H-2A-Y	2,000	Yellow
Material			
Glass-filled PBT			

Ferrite



Circuits	Model No.	Q ty/box
2	SQMF-02-1A	3,000

Crimping machine, Applicator

Strip terminal	Crimping machine	Crimp applicator MKS-L	
		Dies	Crimp applicator with dies
SQS-A03GF-P-P	AP-K2N	MK/SQS-A03-P	APLMK SQS-A03-P
SQS-A03GI-P-P			

Note: When crimping operation is conducted using an applicator and die set other than the above, JST cannot guarantee the performance of the terminal.

Mouser Electronics

Authorized Distributor

Click to View Pricing, Inventory, Delivery & Lifecycle Information:

JST:

[SQHR-02H-1C-D](#) [SQHR-02H-1A-K](#)